

# CYLINDER

LIT - DIFFUSE

# CYL-L-DF

DATE	PROJECT	CAT #	FIXTURE TYPE
------	---------	-------	--------------

## OVERVIEW

CYLINDER is crafted from recycled PET acoustic material, offering a lightweight and durable design with meticulous stitching. It is fully customizable, with options for external light engines, heights up to 100 IN, and additional trim finishes. Whether positioned above a table to minimize noise or integrated into a larger array, CYLINDER delivers exceptional lighting and acoustic performance.



## QUICK FACTS

- Direct, indirect, or bidirectional light output
- Direct outputs up to 18,000 LM and indirect outputs up to 3,000 LM
- Available in 2700 / 3000 / 3500 / 4000 CCT at 90+ Color Rendering Index (CRI)
- Full bottom diffused lighting available in 24, 35, and 47 IN diameters
- Heights up to 100 IN
- NRC rating of .95

## SPECIFICATIONS

SERIES		DIAMETER <sup>1</sup>		HEIGHT <sup>1</sup>		DIRECT OUTPUT/SIZE <sup>4</sup>		INDIRECT OUTPUT <sup>6</sup>	
CYL-L-DF		24" (600 MM) 35" (900 MM) 47" (1200 MM) CD ___ <sup>2</sup>		19" (475 MM) 24" (600 MM) 33" (850 MM) 53" (1350 MM) 100" (2550 MM) CH ___ <sup>3</sup>		D2000 24", 2000 LM D3500 24", 3500 LM D5000 24", 5000 LM D8000 35", 8000 LM D10000 35", 10000 LM D12000 35", 12000 LM D14000 47", 14000 LM D16000 47", 16000 LM D18000 47", 18000 LM CDO CUSTOM OUTPUT <sup>5</sup>		INA NO OUTPUT I750 750 LM I1000 1000 LM I1500 1500 LM I3000 3000 LM <sup>7</sup> CIO CUSTOM OUTPUT <sup>5</sup>	
CCT	CIRCUIT	CONTROL	VOLTAGE	EXTERIOR FELT (1.5 MM)	INTERIOR FELT (1.5 MM)	TRIM			
27K 30K 35K 40K	SC SINGLE CIRCUIT DC DUAL CIRCUIT (SHARED DIMMING)	10 0-10V TO 1%	UNV 120V/277V	15___ REPLACE "___" WITH DESIRED COLOR CODE FROM SWITCHES	15___ REPLACE "___" WITH DESIRED COLOR CODE FROM SWITCHES	NT NO TRIM T___ REPLACE "___" WITH DESIRED COLOR CODE FROM SWITCHES			
CORD COLOR <sup>8</sup>		MOUNTING		CANOPY <sup>10</sup>		FACTORY OPTIONS <sup>11</sup>			
PC___ REPLACE "___" WITH DESIRED COLOR CODE FROM SWITCHES		AC___ 60" AIRCRAFT CABLE + (COLOR CODE) <sup>9</sup> ST___ 60" STRAP + (COLOR CODE) <sup>9</sup> TRD 3/8" THREADED ROD DTS DIRECT TO STRUT DTG DIRECT TO GRID		RWH ROUND WHITE RBK ROUND BLACK SWH SQUARE WHITE SBK SQUARE BLACK		CSL___ CUSTOM SUSPENSION LENGTH 24" - 120" <sup>12</sup> EM EMERGENCY BATTERY SGC STANDARD GRID CLIP TGC TEGULAR GRID CLIP CT___ CUSTOM THREAD + (COLOR CODE) <sup>9</sup> 2CP INCLUDE 2" CANOPIES CF CENTER FEED BABA BABA COMPLIANT			

1 IMPERIAL DIMENSIONS ARE NOMINAL. ACTUAL DIMENSIONS ARE METRIC.  
 2 CUSTOM DIAMETERS AVAILABLE BETWEEN 24" - 47" (600 - 1200 MM). LIGHT ENGINE DIAMETER IS FIXED.  
 3 CUSTOM HEIGHTS AVAILABLE BETWEEN 19" - 100" (475 - 2550 MM).  
 4 DIRECT OUTPUT SIZE NEEDS TO BE EQUAL TO OR LESS THAN FIXTURE SIZE.  
 5 CONSULT FACTORY.  
 6 ONLY AVAILABLE IN LAMBERTIAN DISTRIBUTION.

7 24" (600 MM) DIAMETER MINIMUM FOR OUTPUT >1500 LM.  
 8 POWER CABLE IS 18" LONGER THAN SUSPENSION LENGTH. CONSULT FACTORY FOR LONGER LENGTHS.  
 9 REPLACE "\_\_\_" WITH DESIRED COLOR CODE FROM SWITCHES.  
 10 5" (127 MM) CANOPY PROVIDED FOR FEED. 2" (50.8 MM) CANOPIES FOR NON-FEED UPON REQUEST.  
 11 LEAVE BLANK IF NOT APPLICABLE. STRING TOGETHER MULTIPLE SELECTIONS.  
 12 REPLACE "\_\_\_" WITH LENGTH OF DESIRED SUSPENSION.

EXAMPLE PART NUMBER: CYL-L-DF-35(900)-53(1350)-D3500-I1500-27K-SC-10-UNV-15MY-15SP-NT-PCGY-ACSLV-RWH

# SABIN

© 2024 SABIN LLC. ALL RIGHTS RESERVED.  
 CUSTOMIZE AT SABIN.BUILD  
 DATE REVISED 09.13.2024



# COLOR SWATCHES

# CYL-L-DF

DATE	PROJECT	CAT #	FIXTURE TYPE
------	---------	-------	--------------

## FELT

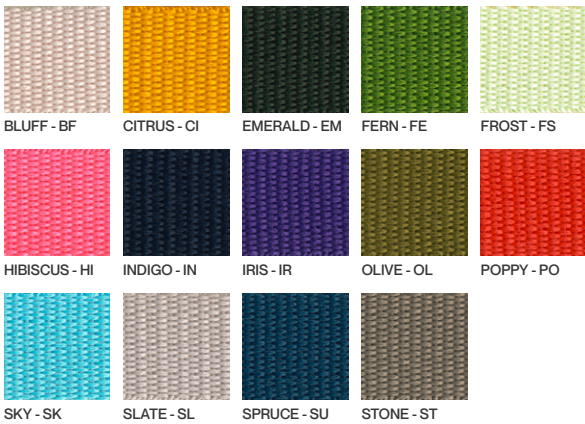
<sup>1</sup> Birch is not available in 1.5 MM.  
<sup>2</sup> Only available for products constructed in 1.5 MM felt.



## TRIM



## SUSPENSION STRAP



## THREAD



## POWER CORD/SUSPENSION CABLE



Colors are subject to slight variation from your screen or paper to the finished product. Contact the factory for additional color options.

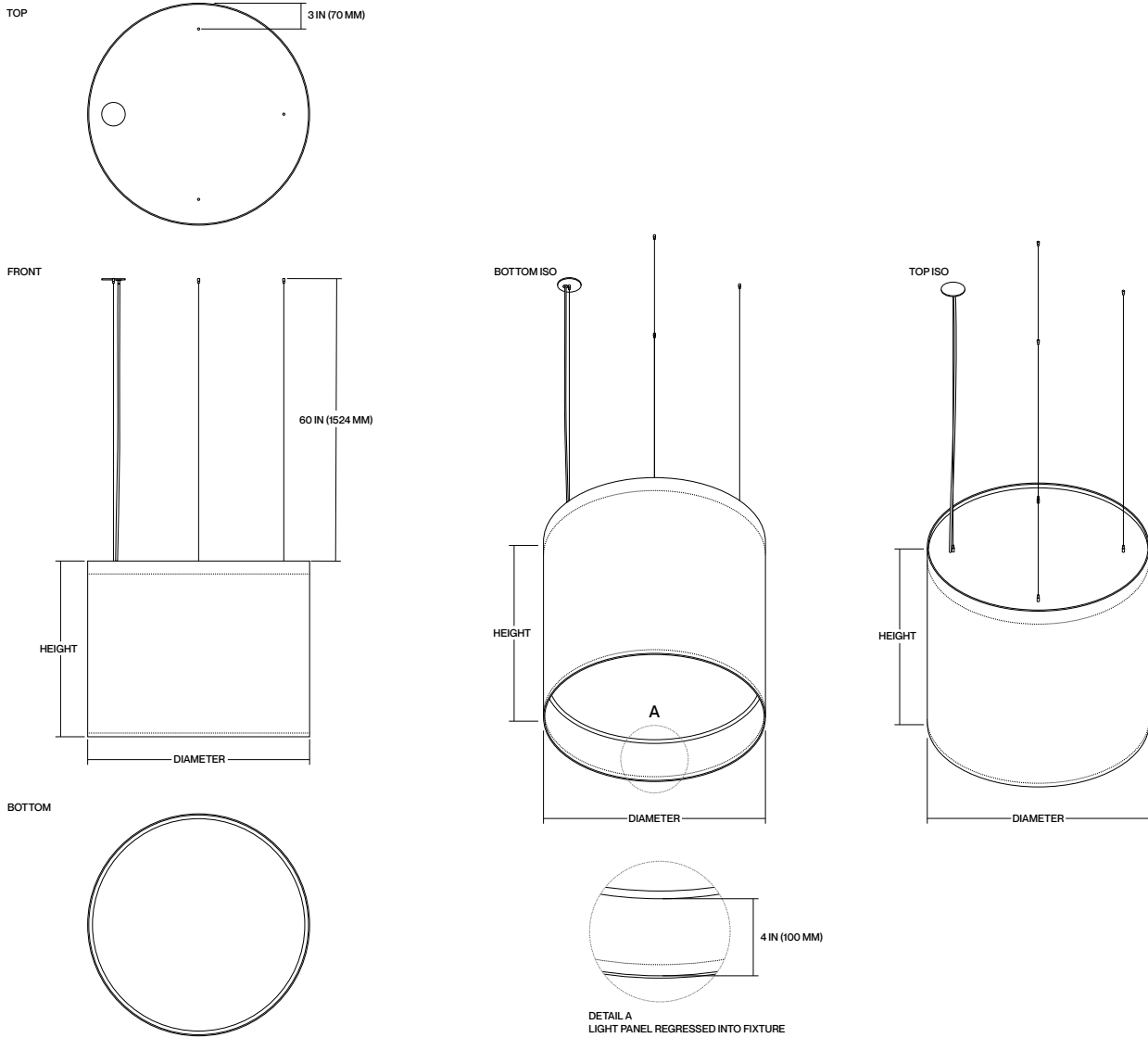
# CYLINDER

LIT - DIFFUSE

# CYL-L-DF

DATE	PROJECT	CAT #	FIXTURE TYPE

## DIMENSIONS - FULL DIFFUSE



- 1 IMPERIAL DIMENSIONS ARE NOMINAL. ACTUAL DIMENSIONS ARE METRIC.
- 2 ALL STANDARD DIMENSIONS ARE ECO-CONSCIOUS, MAXIMIZING MATERIAL USE AND MINIMIZING WASTE. CUSTOM DIMENSIONS RESULT IN EXCESS MATERIAL WASTE.
- 3 PLEASE CONSULT THE FACTORY FOR WEIGHTS SPECIFIC TO CONFIGURATION.

# SABIN

© 2024 SABIN LLC. ALL RIGHTS RESERVED.  
CUSTOMIZE AT SABIN.BUILD  
DATE REVISED 09.13.2024

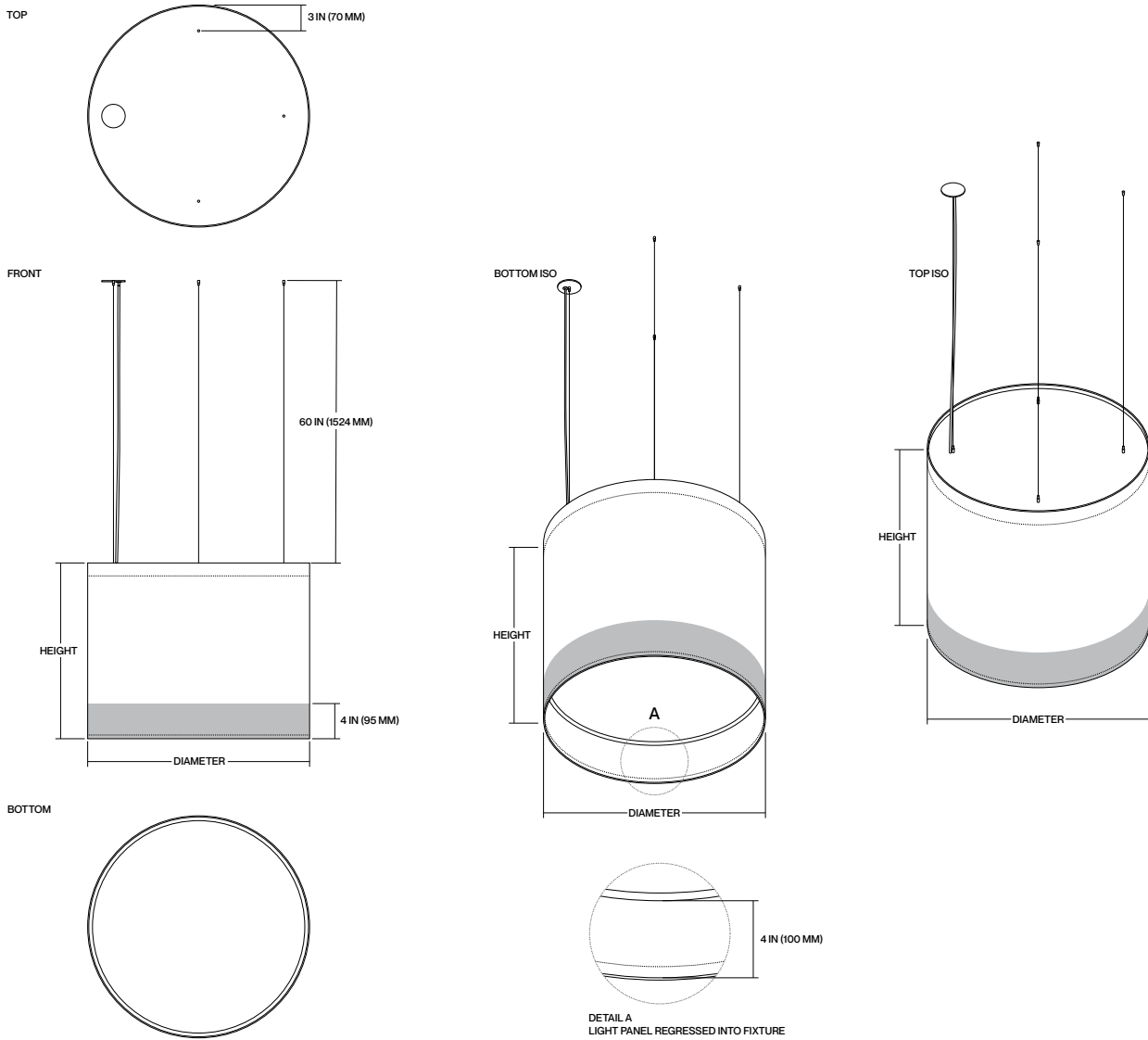
# CYLINDER

LIT - DIFFUSE

# CYL-L-DF

DATE	PROJECT	CAT #	FIXTURE TYPE

## DIMENSIONS - FULL DIFFUSE - WITH TRIM



- 1 IMPERIAL DIMENSIONS ARE NOMINAL. ACTUAL DIMENSIONS ARE METRIC.
- 2 ALL STANDARD DIMENSIONS ARE ECO-CONSCIOUS. MAXIMIZING MATERIAL USE AND MINIMIZING WASTE. CUSTOM DIMENSIONS RESULT IN EXCESS MATERIAL WASTE.
- 3 PLEASE CONSULT THE FACTORY FOR WEIGHTS SPECIFIC TO CONFIGURATION.

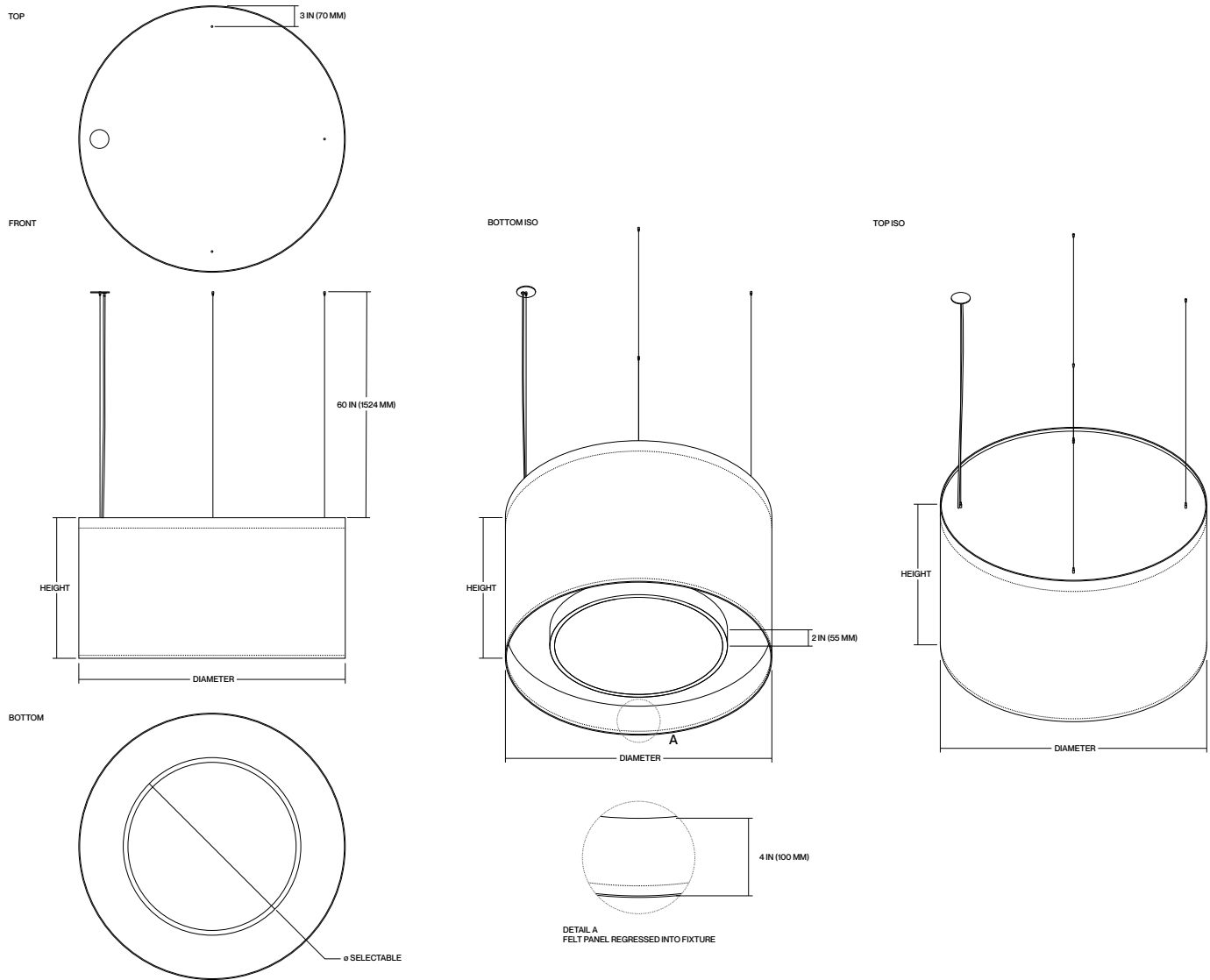
# CYLINDER

LIT - DIFFUSE

# CYL-L-DF

DATE	PROJECT	CAT #	FIXTURE TYPE

## DIMENSIONS - PARTIAL DIFFUSE



- 1 IMPERIAL DIMENSIONS ARE NOMINAL. ACTUAL DIMENSIONS ARE METRIC.
- 2 ALL STANDARD DIMENSIONS ARE ECO-CONSCIOUS, MAXIMIZING MATERIAL USE AND MINIMIZING WASTE. CUSTOM DIMENSIONS RESULT IN EXCESS MATERIAL WASTE.
- 3 PLEASE CONSULT THE FACTORY FOR WEIGHTS SPECIFIC TO CONFIGURATION.

**SABIN**

© 2024 SABIN LLC. ALL RIGHTS RESERVED.  
 CUSTOMIZE AT SABIN.BUILD  
 DATE REVISED 09.13.2024



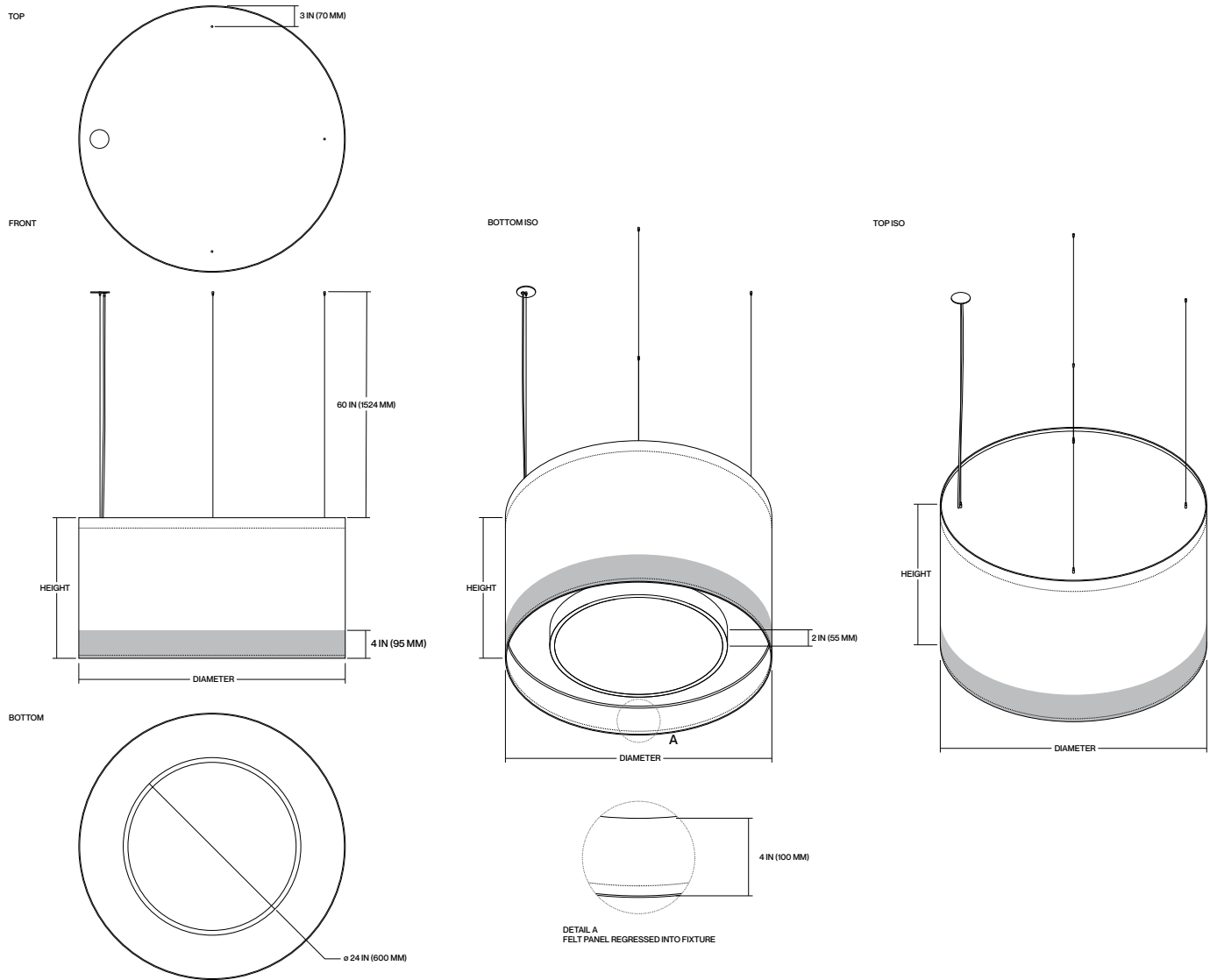
# CYLINDER

LIT - DIFFUSE

# CYL-L-DF

DATE	PROJECT	CAT #	FIXTURE TYPE

## DIMENSIONS - PARTIAL DIFFUSE - WITH TRIM



- 1 IMPERIAL DIMENSIONS ARE NOMINAL. ACTUAL DIMENSIONS ARE METRIC.
- 2 ALL STANDARD DIMENSIONS ARE ECO-CONSCIOUS. MAXIMIZING MATERIAL USE AND MINIMIZING WASTE. CUSTOM DIMENSIONS RESULT IN EXCESS MATERIAL WASTE.
- 3 PLEASE CONSULT THE FACTORY FOR WEIGHTS SPECIFIC TO CONFIGURATION.

**SABIN**

© 2024 SABIN LLC. ALL RIGHTS RESERVED.  
 CUSTOMIZE AT SABIN.BUILD  
 DATE REVISED 09.13.2024

DATE	PROJECT	CAT #	FIXTURE TYPE

## ACOUSTIC MATERIAL

OUR PET (POLYESTER) FELT PANELS CONTAIN MINIMUM 60% POST-CONSUMER RECYCLED POLYESTER STAPLE FIBER. IT IS MOISTURE RESISTANT, FIRE RATED, RECYCLABLE, AND AN OUTSTANDING ABSORBER OF ACOUSTIC ENERGY.

- FIRE RETARDANT: ASTM E84 CLASS A, EN13501 CLASS B
- DECORATIVE: 18 STANDARD COLORS OF 1.5 MM & 16 STANDARD COLORS OF 9 MM
- CONSTRUCTION: 100% POLYESTER FIBER (PET)

## CONSTRUCTION

ACOUSTIC LUMINAIRE COMPRISED OF ≥ 60% RECYCLED PET MATERIAL UTILIZING SEWN CONSTRUCTION TO MAXIMIZE STRENGTH, DURABILITY AND SOUND ABSORBENCY.

## CERTIFICATES/LISTING

TESTED IN ACCORDANCE WITH NEC, ANSI/NFPA 70 STANDARDS. INDOOR USE ONLY. SUITABLE FOR DRY LOCATIONS, IP20, ROHS COMPLIANT. TITLE 24 JA8-2016 FOR 90 CRI CONFIGURATIONS ONLY.

FOR LIT UNITS, ETL LISTED IN ACCORDANCE WITH UL STANDARDS.

## ESTIMATED LIFETIME (LIT ONLY)

L<sup>70</sup> = >60,000 HOURS  
LUMINOUS FLUX MAINTENANCE LIFE L<sup>70</sup>(9K) BASED ON IES TM-28-147 9000-HOUR TEST AT TA = 45°C.

## OPTICS (LIT ONLY)

INJECTION MOLDED, CUT OR EXTRUDED ACRYLIC LENS DESIGNED FOR EFFICIENT AND HOMOGENEOUS LIGHT DISTRIBUTION WITH SUPERIOR COLOR OVER ANGLE PERFORMANCE. BEAM CONTROL AVAILABLE ON SELECT CONFIGURATIONS DOWN TO 15° AND UP TO +90°. OPTICS ARE FIELD CHANGEABLE.

## LED LIGHT ENGINE (LIT ONLY)

LIGHT MODULE INCORPORATES PREMIUM LEDS WITH HEAT SINK TO MAXIMUM LIFETIME. AVAILABLE IN 2700K, 3000K, 3500K OR 4000K CCT WITH ≥90 CRI. COLOR ACCURACY = MINIMUM 2.2X SDCM @ 3000K ±66K ΔUV +0.0004 STANDARD DEVIATION COLOR MATCHING (SDCM) BASED ON ANSI STANDARD C78.377A INDICATING THE VISIBLE VARIANCE IN CORRELATED COLOR TEMPERATURE, ALSO REFERRED TO AS "MACADAM ELLIPSE."

## MOUNTING

SUSPENDED BY VARIOUS METHODS INCLUDING 1/16" AIRCRAFT CABLE, STRAPS, GRID CLIPS OR 3/8" THREADED ROD (ADAPTERS PROVIDED, THREADED ROD BY OTHERS). AIRCRAFT CABLE IS AVAILABLE IN PRECUT LENGTHS OF 60" (1524 MM) OR CUSTOM LENGTH FROM 24" (600 MM) TO 120" (3048 MM).

FOR LIT UNITS, FABRIC-COVERED POWER CORD IS PROVIDED ALONG WITH A 5" (127 MM) FEED CANOPY.

## CARE

ACOUSTIC PET FELT: REMOVE DUST WITH COMPRESSED AIR, A VACUUM OR LINT ROLLER.

ALUMINUM & POLYMER COMPONENTS: REMOVE DUST AND DEBRIS WITH A CLEAN, DRY, LINT-FREE CLOTH.

## WARRANTY

FIXTURE RATED FOR OPERATION IN CONDITIONED ENVIRONMENTS UP TO 77°F (25°C). FIXTURE IS WARRANTIED TO BE FREE FROM DEFECTS AND/OR FAILURE UNDER NORMAL USE AND PROPER STORAGE FOR FIVE (5) YEARS FROM DATE OF SHIPMENT.

## DIMMING (LIT ONLY)

STANDARD 120-277V CONSTANT CURRENT DRIVER INCLUDES 0-10V ANALOG DIMMING TO 1%

OPTIONS FOR LUTRON ECOSYSTEM AT 120/277V, TRIAC/ELV DALI, DMX, AND WARM DIM AVAILABLE ON SELECT PRODUCTS. CONSULT FACTORY.

## ELECTRICAL (LIT ONLY)

HIGH QUALITY CLASS P ISOLATED POWER SUPPLY WITH UNIVERSAL (120-277VAC) AND 347V INPUT VOLTAGE. MEETS UL OPERATION RATING DRY & DAMP (IP40) MAX 185°F (85°C) FOR 50,000 HOUR LIFE. LUMINARIES ARE PRE-WIRED WITH FACTORY INSTALLED BRANCH CIRCUIT WIRING.

POWER FACTOR:  
- 0.95 @ 120VAC  
- 0.90 @ 277VAC  
- 0.90 @ 347VAC

FOR FIXTURES SPECIFIED WITH AN EMERGENCY BATTERY/DRIVER: 6W-20W INTEGRAL BATTERY (OUTPUT DEPENDENT) WITH SELF-TESTING/METAL TEST SWITCH/INDICATOR LIGHT (BI-COLOR). UP TO 15% OF TOTAL LUMEN OUTPUT FOR A MINIMUM OF 90 MINUTES. LISTED TO UL924 AND TESTED TO CSA 22.2 NO.141 FIELD OR FACTORY INSTALLATION (INDOOR AND DAMP). OUTPUT CLASS 2 COMPLIANT. INPUT CEC TITLE 20 COMPLIANT.

CONSULT FACTORY FOR SPECIFIC PRODUCT CONFIGURATIONS.