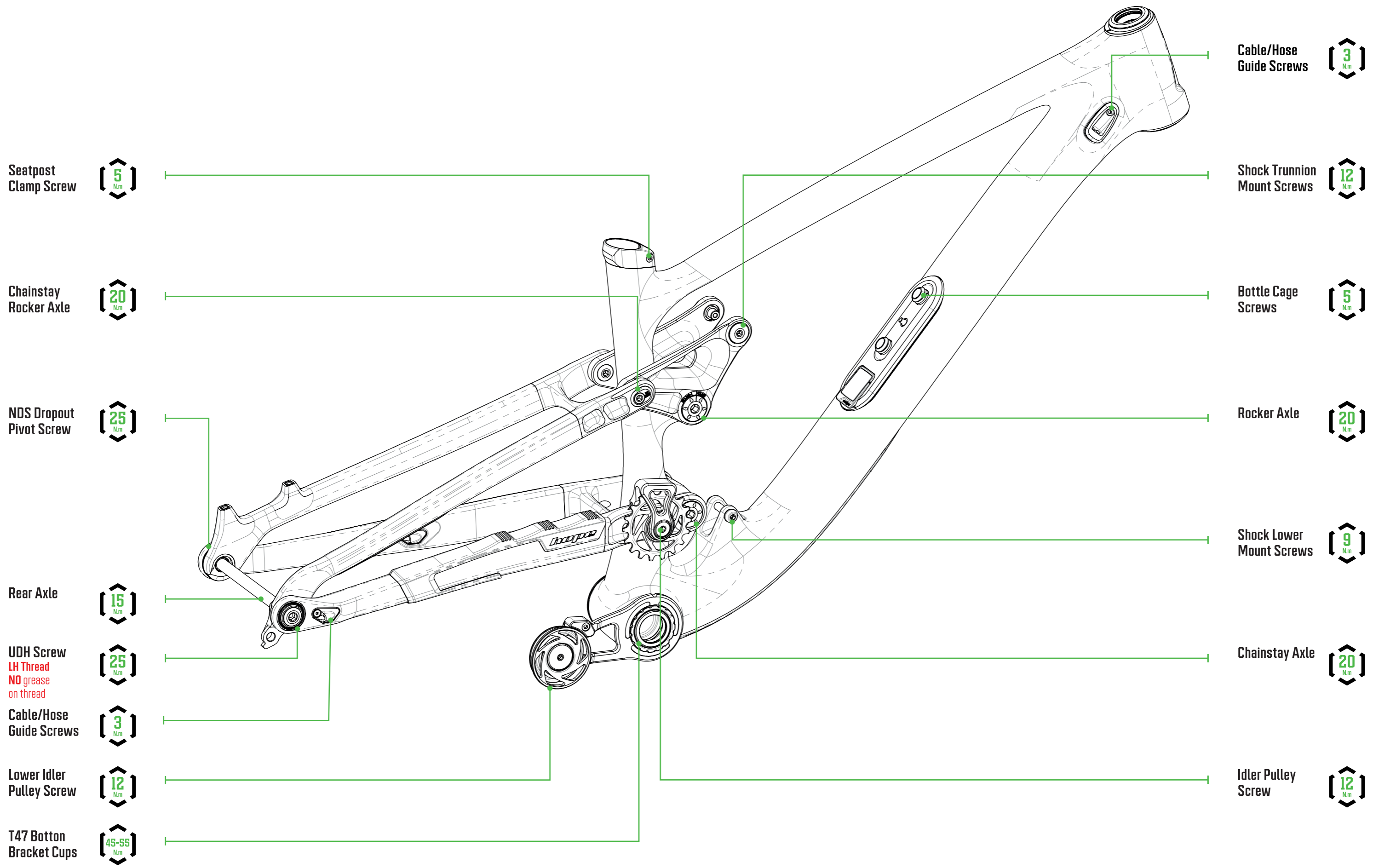




HB.916

TECH BOOK_2024



Seatpost
Clamp Screw **5**
N.m

Chainstay
Rocker Axle **20**
N.m

NDS Dropout
Pivot Screw **25**
N.m

Rear Axle **15**
N.m

UDH Screw
LH Thread **25**
N.m
NO grease
on thread

Cable/Hose
Guide Screws **3**
N.m

Lower Idler
Pulley Screw **12**
N.m

T47 Botton
Bracket Cups **45-55**
N.m

Cable/Hose
Guide Screws **3**
N.m

Shock Trunnion
Mount Screws **12**
N.m

Bottle Cage
Screws **5**
N.m

Rocker Axle **20**
N.m

Shock Lower
Mount Screws **9**
N.m

Chainstay Axle **20**
N.m

Idler Pulley
Screw **12**
N.m

TIGHTENING TORQUES | 002 | HOPETECH.HB.COM

Butty Box Lid Complete
HB916-BLA24

Seatpost Clamp
HB 103-16

M5x20

M3x8 (x2)

Butty Box Bracket
HB 103-84

T47Bottom Bracket Complete
BBT478630SSN

Lower Idler Sub Assembly
HB916-LCG
55mm chainline only

DT Rubber Protection
HB 103-45

Adjustable Lower Headset 1° Complete
HSHB916U1

Adjustable Upper Headset 1° Cup only
HB 103-27

Adjustable Lower Headset 0° Complete
HSHB916U0

Adjustable Upper Headset 0° Cup only
HB 103-29

Adjustable Lower Headset Complete
HSHB916L

Adjustable Lower Headset Cup only
HB 103-28

Fidlock PINCLIP Female
HB 103-98

M4x12 (x2)

DT Rubber Protection Screw
HB 103-47

DT Rubber Protection Nut
HB 103-46



Apply Grease
on face or thread



Apply low strength
Threadlock on thread

12x21x3 Spacer x2
HB101-49

**Rocker/Seatstay Pivot
Bearing x2**
12x21x8

**Rocker/Seatstay
Pivot Screw x2**
HB103-48

Rocker Body
HB103-06

Internal Snap Ring x2
XVHM-21

12x21x3 Spacer x2
HB101-49

Internal Snap Ring x2
XVHM-22

Trunnion Shock Screw x2
HB103-15

Internal Snap Ring x2
XVHM-28

Rocker Pivot Bearing x2
17x28x9

17x24x3 Spacer x2
HB101-13

Trunnion Mount Bearing x2
10x22x6-9

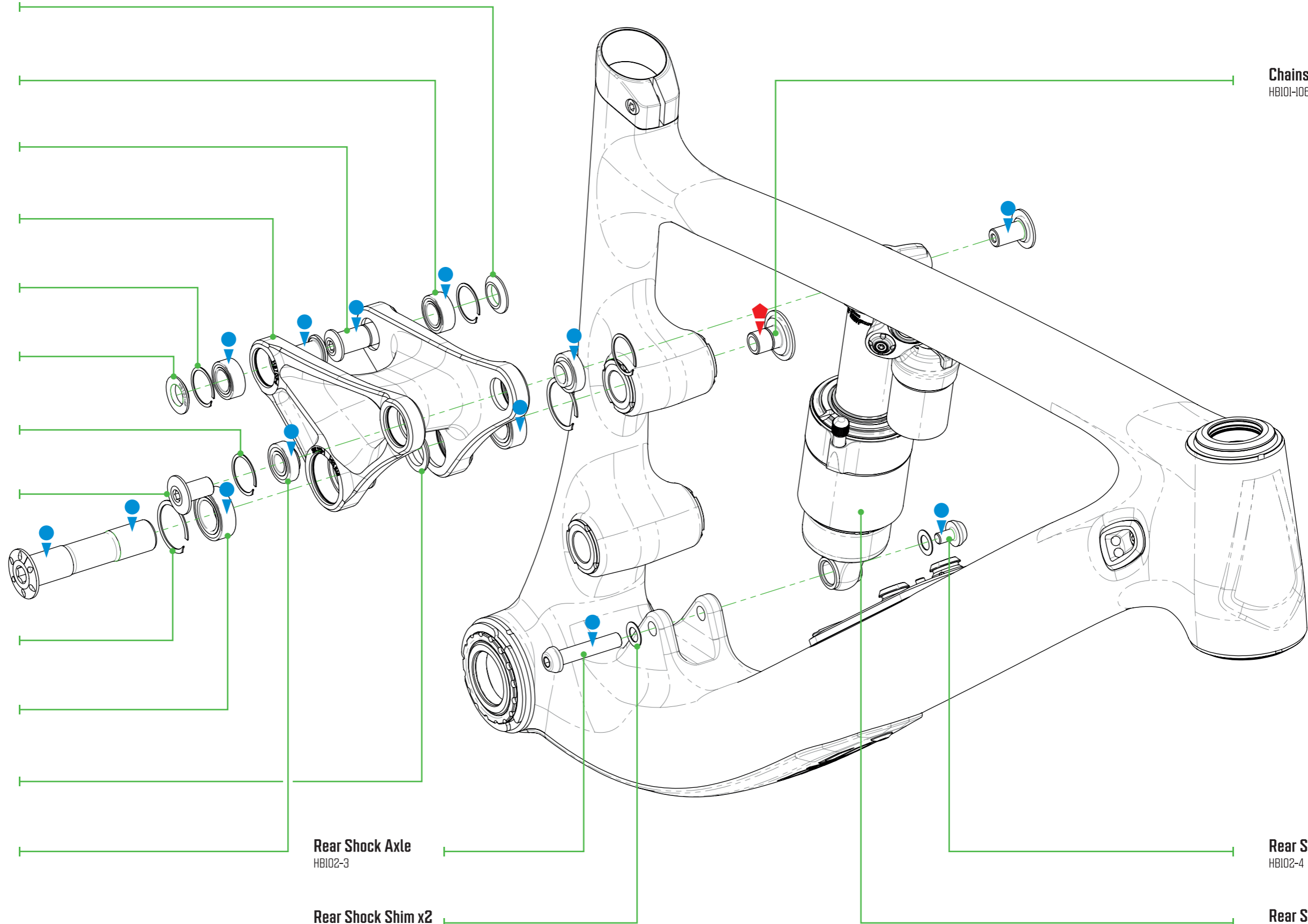
Rear Shock Axle
HB102-3

Rear Shock Shim x2
HB102-41

Chainstay/Rocker bolt
HB101-106

Rear Shock Screw
HB102-4

Rear Shock
Trunnion 205x65
Ø8x21.Ø4Hardware



ROCKER DETAIL | 004 | HOPETECH.HB.COM



Apply Grease on face or thread



Apply low strength Threadlock on thread

Chainstay

HB916-CS-440 (size H1,H2)
HB916-CS-450 (size H3,H4)

20x24x2.5 Spacer x2

HB104-25

Rear Pivot Bearing x2

20x32x7

CS Screw x2

M4x8

Cable Exit Block x2

HB103-57

Chainstay Protector

HB103-44

Idler Pulley Cage

HB103-72 (52mm)

HB103-76 (55mm)

Idler Pulley Circlip

HB103-73

Idler Pulley Outer Spacer

HB103-69

Idler Pulley Bolt

HB103-70 (52mm)

HB103-78 (55mm)

Chainstay Axle

HB103-11

Chainstay/ Rocker Bolt

HB101-106

Internal Snap Ring x2

XVHM-28

Chainstay Pivot Bearing x2

17x28x7

17x24x3 Spacer x2

B101-13

Idler Pulley Inner Spacer

HB103-68 (52mm)

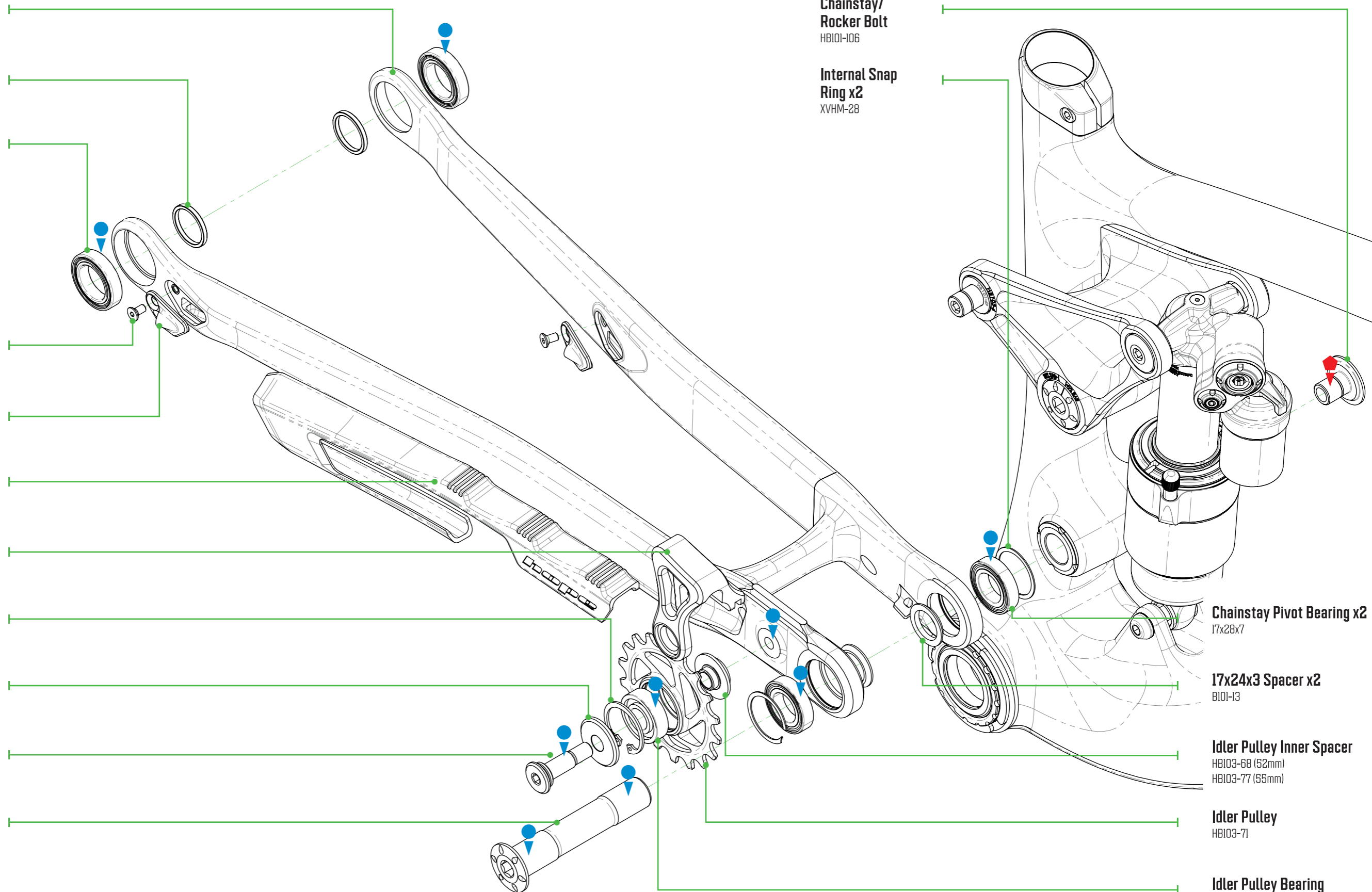
HB103-77 (55mm)

Idler Pulley

HB103-71

Idler Pulley Bearing

12x28x8



CHAINSTAY DETAIL | 005 | HOPETECHHB.COM

 Apply Grease
on face or thread

 Apply low strength
Threadlock on thread

6mm Flip Chip x2
HB103-49

Seatstay
HB916-ST-440 (size H1,H2)
HB916-ST-450 (size H3,H4)

Seatstay Protector
HB103-51

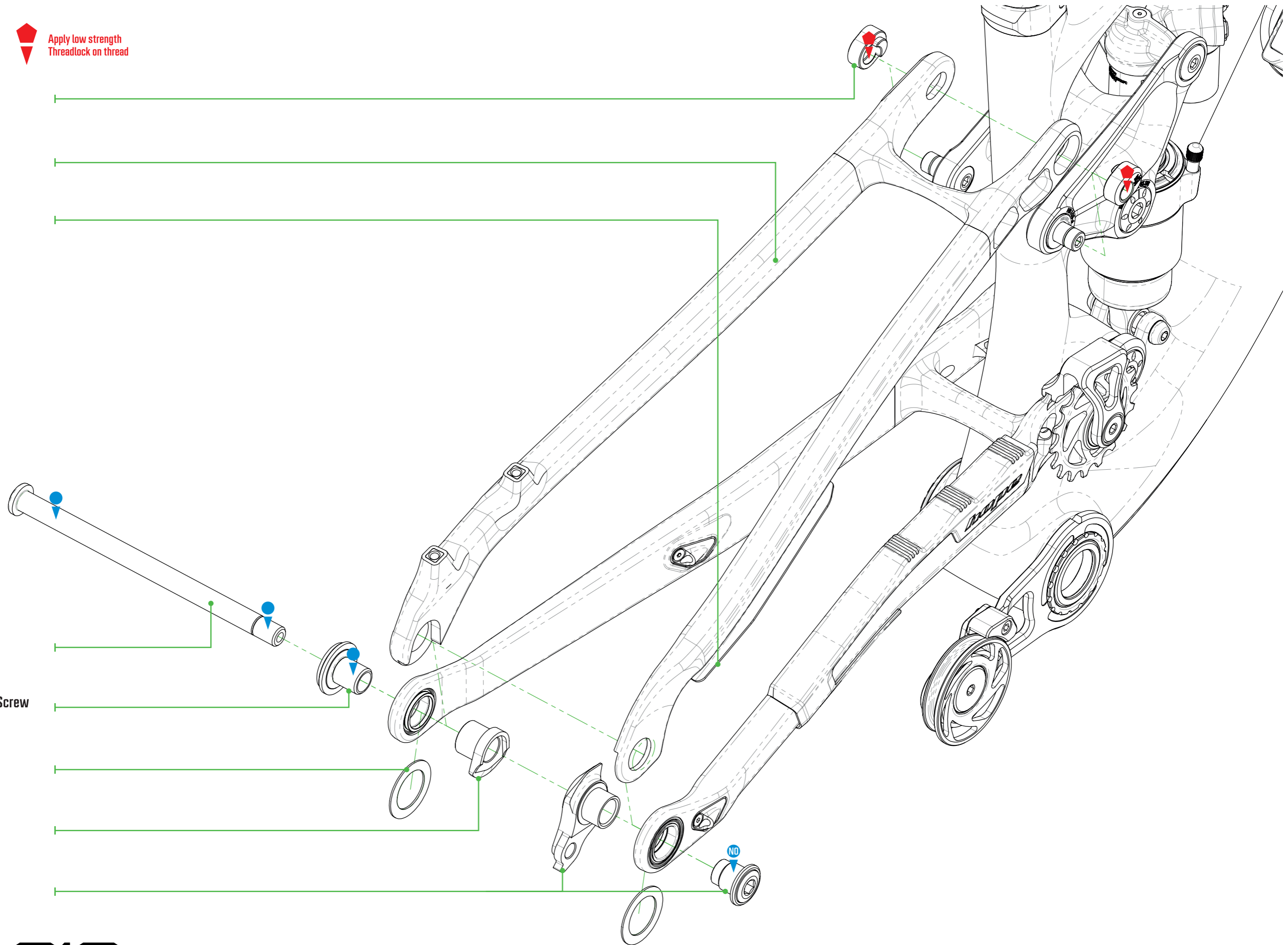
Rear Axle
HB103-92

NDS Dropout Pivot Screw
HB103-8

24x36x1 Washer x2
HB103-58

NDS Dropout
HB103-22

SRAM UDH
HB102-60 std
HB103-5 aluminium



HB.916

SEATSTAY DETAIL

BUTTY BOX DETAIL HB.916-BLA24

Butty Box Spring Latch
HB 103-70

Butty Box Grommet
HB 103-100
ONLY if using bottle cage

Snap Male L Bolt
M5 x 7 available from Fidlock

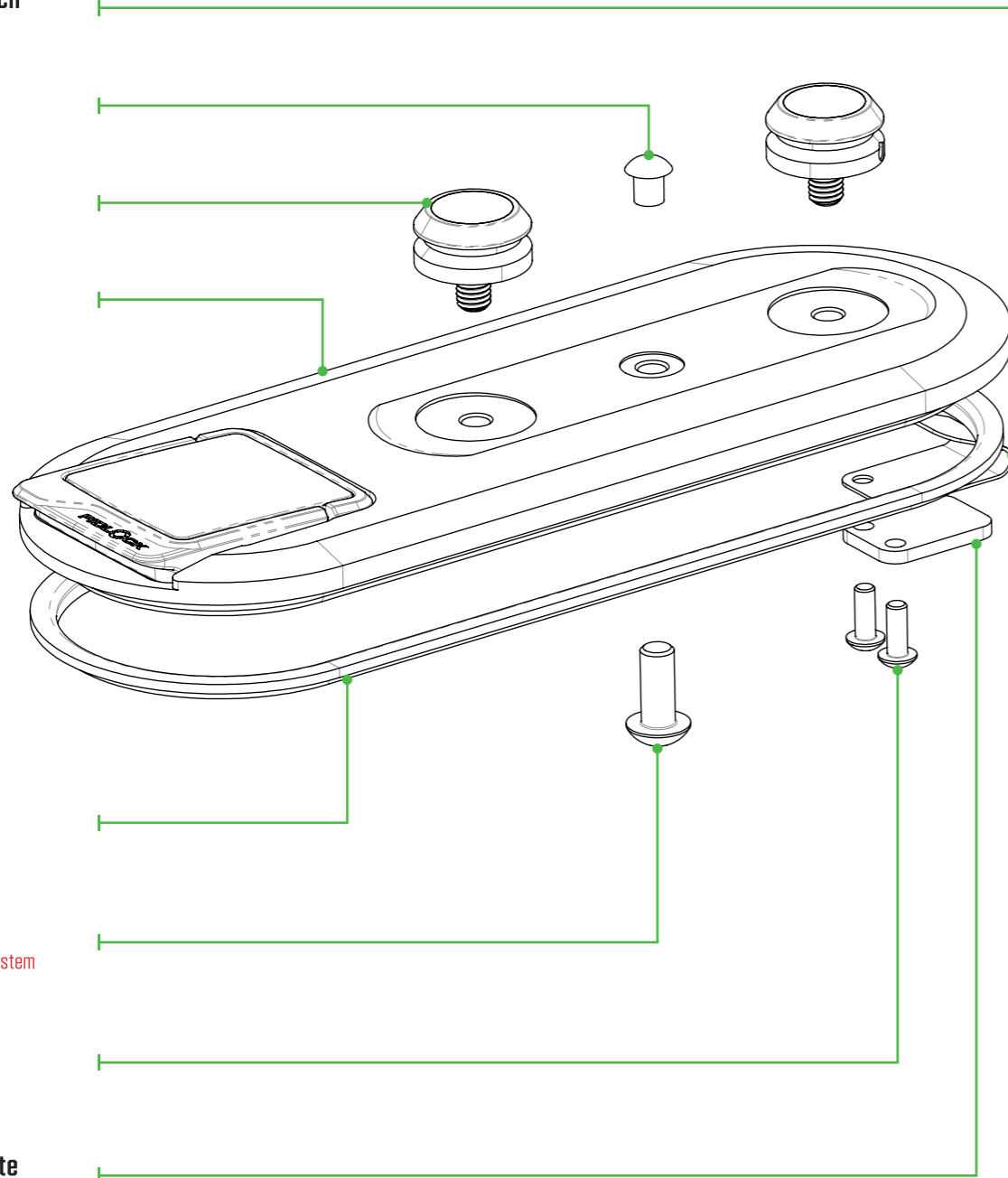
Butty Box Top Lid
Fidlock type HB 103-80

Butty Box Gasket
HB 103-59

M5x12 Dome Head
ONLY if using Fidlock SNAP system

M3x8 Dome Head x2

Butty Box Spring Plate
HB 103-83



LOWER IDLER DETAIL HB.916-LCG

Recommended for 55mm chainline only and SRAM T-Type transmission.

M5x14 Cap Screw

Lower Idler Cage
HB 103-99

Lower Idler Plate
HB 103-90

Lower Idler Flip Chip
HB 103-95

Lower Idler Spacer
HB 103-88

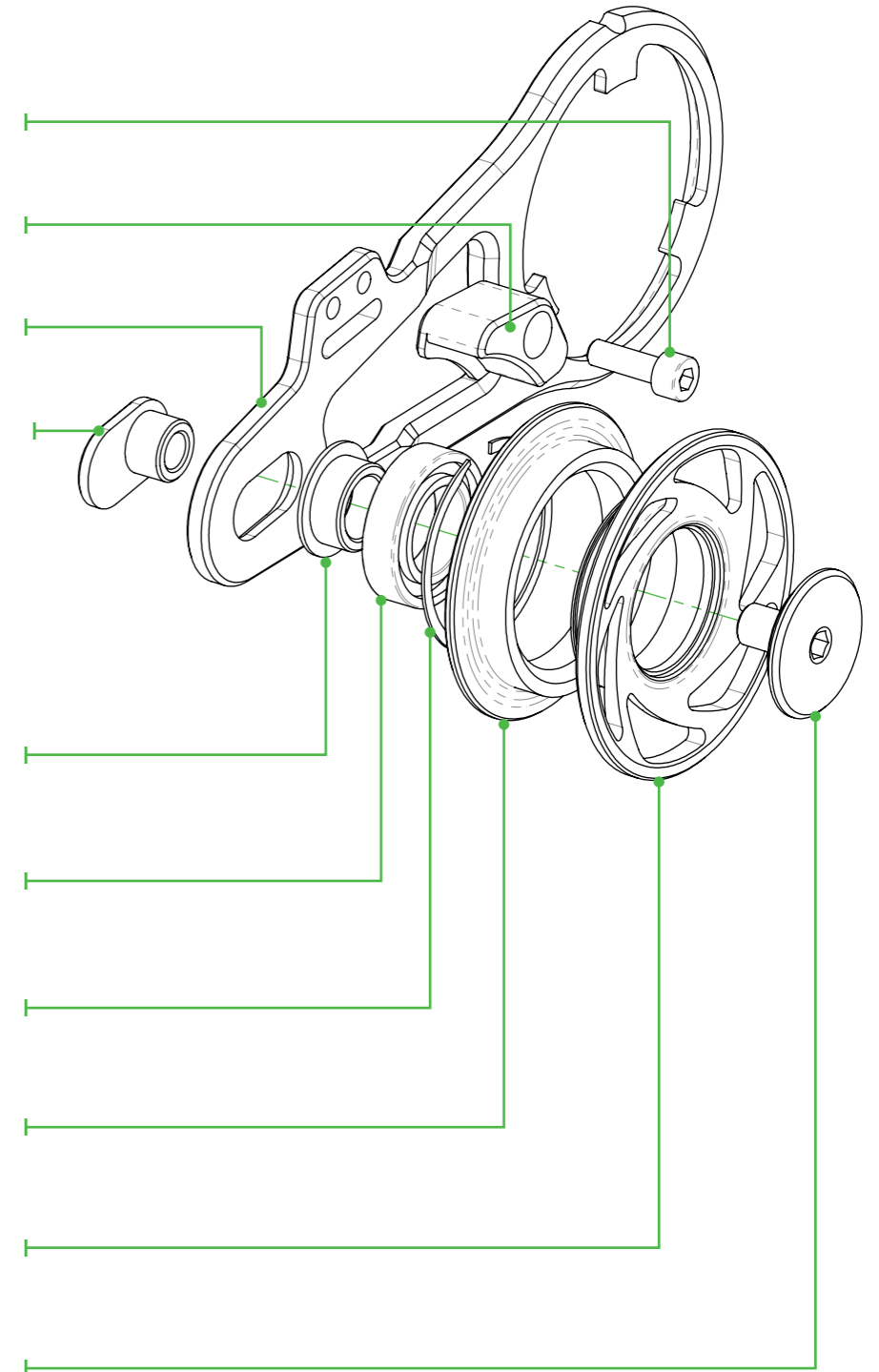
Lower Idler Bearing
17x30x7

External Snap Ring
XVSM-38

Lower Idler Pulley Inner
HB 103-94

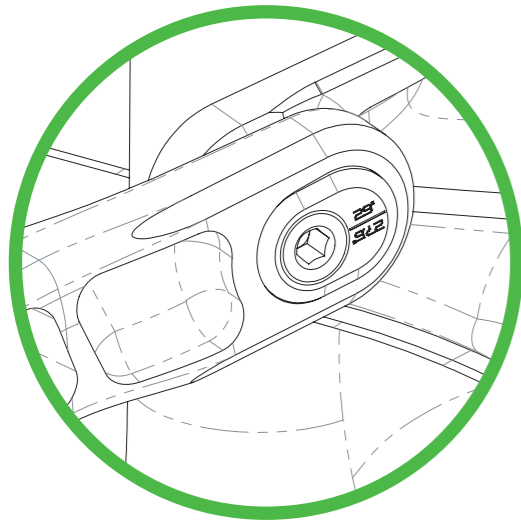
Lower Idler Pulley Outer
HB 103-93

Lower Idler Pulley Bolt
HB 103-87



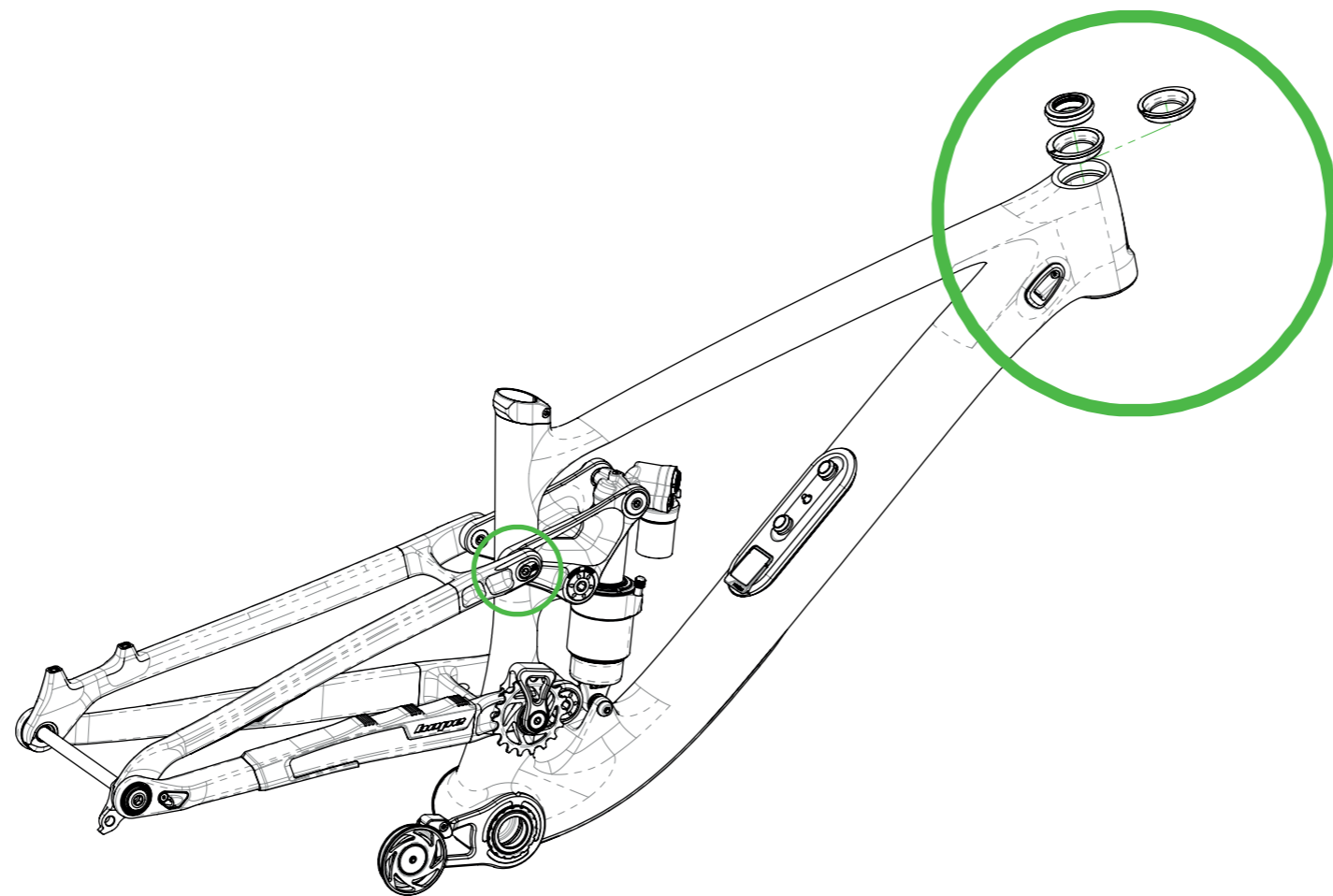
For 30 or 32T Chainring:
Run the pulley in forward position

For 34 or 36T Chainring:
Run the pulley in rearward position

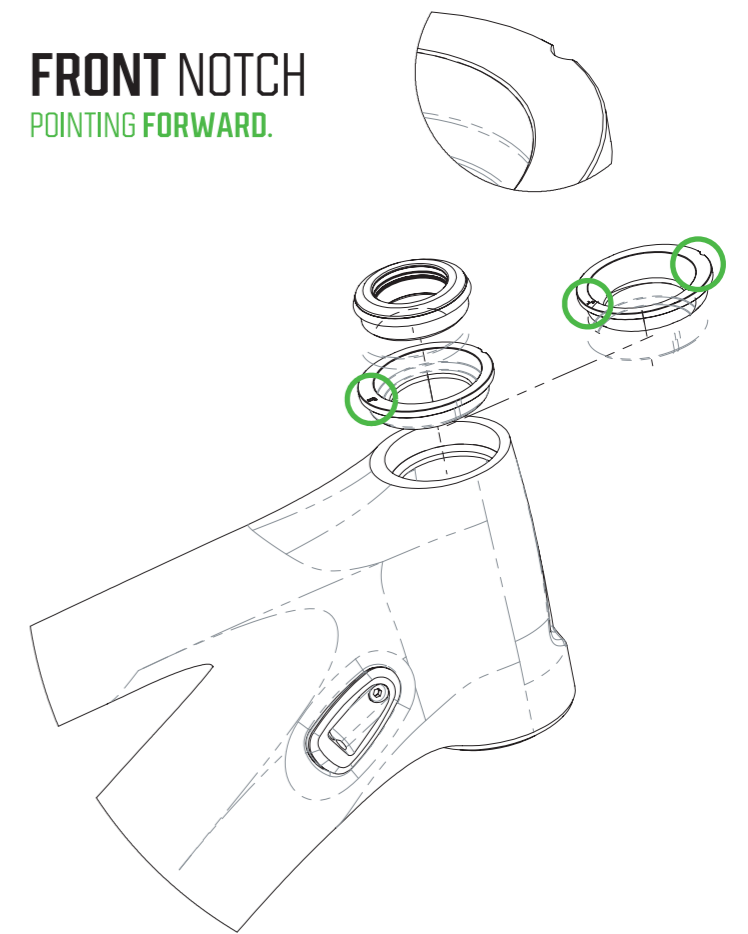


WHEEL SIZE ADJUSTMENT

To switch between 29" and 27.5" rear wheel size, on both sides of the rocker change the orientation of the flip chip. When the pivot bolt is on the rearward position use a 29" wheel. When the pivot bolt is on the forward position use a 27.5" wheel. The wheel size reading upright on the drive side flip chip indicates what wheel size you should use (29" on example above).



FRONT NOTCH POINTING FORWARD.



HEAD ANGLE ADJUSTMENT

To adjust the head angle **only the Top Cup** needs changing. Use the 0° engraved cup to achieve a **64° head angle** (STD setting). Use the -1° engraved cup to achieve a **63.2° head angle** (Slack setting). On installation be aware that the notch is pointing **forward**.

0° Engraved Cup



-1° Engraved Cup



SPECIFICATIONS

FRAMESET SIZES H1 | H2 | H3 | H4

FORK	2024 Ohlins RFX38 AIR
SHOCK	2024 Ohlins TTX22M Coil or TTX AIR TM
SEAT POST	OneUp Dropper Post 150mm/180mm/210mm/240mm
HEADSET	Hope
SPACE DOCTOR	Hope
HEAD DOCTOR	Hope
GRIP DOCTOR	Hope
STEM	Hope TR 35/40/50
BARS	Hope Carbon 800x35mm
GRIPS	DMR Death Grips
SHIFTER MOUNT	Hope T4 SRAM
BRAKES	Hope Tech 4 V4
ROTORs	Hope Floating 180mm/180mm 180mm, 200mm rotors available
SEAT CLAMP	Hope Intergrated
SADDLE	WTB
BOTTOM BRACKET	Hope HB 30mm/DUB
CRANKS	XO Eagle 165mm
CHAIN	XO T-Type
CASSETTE	12 Speed XO Eagle
MECH	XO Eagle AXS T-Type
SHIFTER	AXS POD
FRONT WHEEL	Hope PRO5 BOOST on FORTUS 30SC Two other rim options available – FORTUS 30, FORTUS 35
REAR WHEEL	Hope PRO5 on FORTUS 30SC Two other rim options FORTUS 35, FORTUS 30
FRONT TYRE	Maxxis Assagai 2.5WT
REAR TYRE	Maxxis Minion 2.4WT

EIGHT HARDWARE COLOUR OPTIONS

