

PART #990.0150



The R15 has redefined how we think about LED lighting. With our patented liquid cooled system we are able to provide 90,000 Lumens of color accurate lighting. The R15 replaces HMI's and large tungsten lights all in one package. This hard light has a spot to flood adjustment from 15° - 75° providing beam control like no other light. The R15 creates a single high quality shadow at any beam angle, with a flat exposure level across the beam. The Reflex R15 is a light you can run on a 20amp circuit. With it's touchscreen interface, the level of customization is at your fingertips - making it possible to create looks and effects that in the past would have involved a lighting console and hours of programming.

APPLICATIONS

- Film and Television
- Virtual Production
- Commercial productions
- Corporate video

PRODUCT FEATURES

- Touchscreen interface
- Wired Network, WIFI, CRMX, DMX / RDM
- WIFI Hotspot capable
- Virtual Production capable
- Variable CCT 2500k - 6,500K
- 90,000 Lumens Output
- User effects / Presets Recorder and player

PRODUCT SPECIFICATIONS

SOURCE

LED details	54 CSPA of 2700K 97 CRI / 6500K 97CRI on AIN Nitrate
Max Lumens at 5600K	90,000 Lumens
L70 rating (hours to 70% Output)	>50,000

COLOR

Color Used:	2500K 97 CRI / 6500K 97 CRI
Color temperature range:	2,500K - 6,500K
Calibrated Array:	Yes

CONTROL

Local control:	Local control via C2Os StageLynx software
Input Method:	5-pin XLR, CRMX Wireless, WIFI, RJ45 Ethernet,
Protocols:	Stagelynx, DMX-512, RDM, Lumenradio, sACN
Zonal control:	N/A
Personalities:	11
RDM configuration:	YES
UI type:	HD Color Touchscreen
User presets Recorder and player:	Record and play > 64K preset files
User effects Recorder and player:	Record and play > 64K effect files
Configurable Color LUT:	Color Matching w/ UCS, REC.709, ACES, CINEO
Log Recorder:	Records all lighting data with timestamp
Color Calibration Utility:	Embedded calibration app Compatible with Sekonic 700, 800, 7000 series meters via USB
Software Upgradable:	Via USB, wired network, WIFI

OPTICAL

Beam Angle:	Digital variable flat field beam angle 15° to 75°
Aperture Size:	24" (600mm)
Camera Flicker Free:	Flicker Free > 10,000FPS

NETWORKING

Wireless:	CRMX / IP WIFI
WIFI Band:	2.4 GHz and 5 GHz
IP Network (Ethercon & RJ45):	DHCP / Managed IP Network control

ELECTRICAL

Voltage range:	120 - 240 VAC 50/60Hz
Input method:	AC via Neutrik TRUE1
Wattage:	1500w
Current Draw:	12.7A 120V - 3.4A 240V

THERMAL

Ambient operating temp:	0° -40° C (32° -104° F)
Fan:	Yes
dB range:	30
BTUs/hour (120V):	2,730

PHYSICAL

Materials:	Cast and extruded aluminum
Mounting options:	Yoke
IP:	IP 23 Rated for Outdoor use
Weight:	75lbs (34kg)
Dimensions:	33" W x 26" H x 18" D (838mm W x 660mm H x 457mm D)
Gel Frame:	24" diameter gel frame

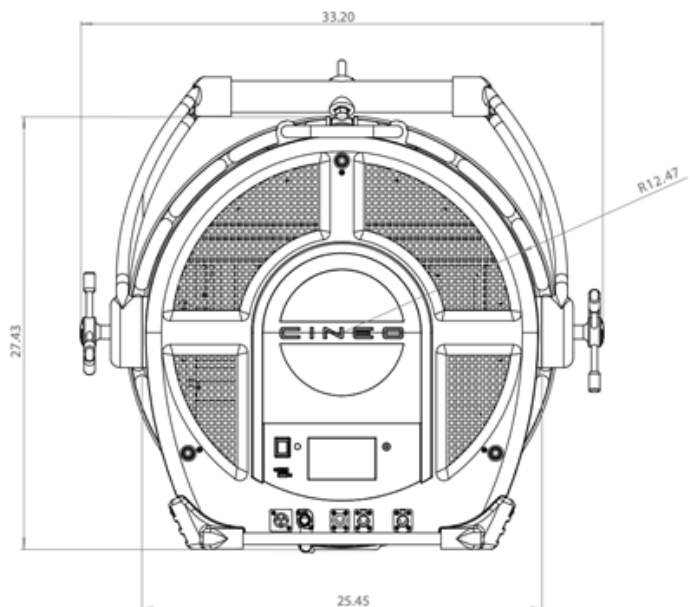
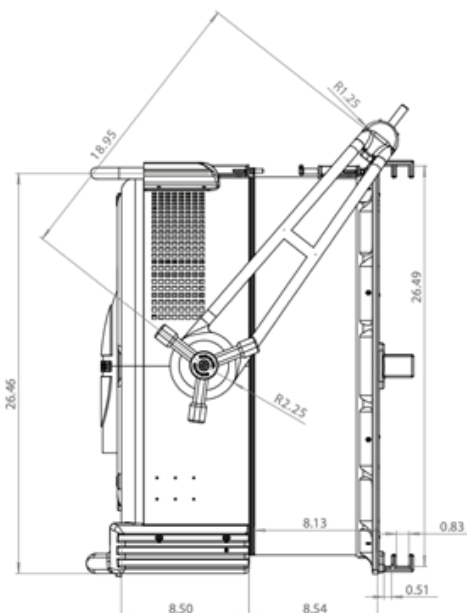
WARRANTY

Fixture:	2 Years
----------	---------

PRODUCT SPECIFICATIONS

ACCESSORIES

PART #:	DESCRIPTION:
900.1521	Reflex R15 Accessory Ring
990.0152	ReFlex R15 ATA Style Road Case
900.1525	Reflex R15 4-leaf Barndoor Set - 1.5mm
900.1502	Reflex R15 Skid Plate Kit. Includes skid plate,skid foot. SUS304 material
900.1533	Reflex R15 Space Light Adapter
900.1503	Reflex R15 - Wire Grid protector w/ 45 degree pattern - SUS304 material
990.2000	3-Point Suspension Cable for Reflex R15
900.1527	Reflex R15 Gel Frame
900.1526	Reflex R15 5' Snapbag Lantern
900.1523	Relex R15 5' Snapbag Octa
900.1524	Relex R15 5' Octa Snapgrid
900.1529	Reflex R15 3' Snapbag Octa
900.1531	Relex R15 3' Octa Snapgrid
900.1530	Reflex R15 7' Snapbag Octa
900.1532	Relex R15 7' Octa Snapgrid



PRODUCT SPECIFICATIONS

ILLUMINANCE LUX

MODE	20' / 6M	30' / 9M	40' / 12M
15° 3200	7,691	3,418	1,923
75° 3200	1,137	505	284
15° 5600	8,740	3,884	2,185
75° 5600	1,292	574	323

ILLUMINANCE FOOT CANDLES

MODE	20' / 6M	30' / 9M	40' / 12M
15° 3200	715	318	179
75° 3200	106	47	26
15° 5600	812	361	203
75° 5600	120	53	30

