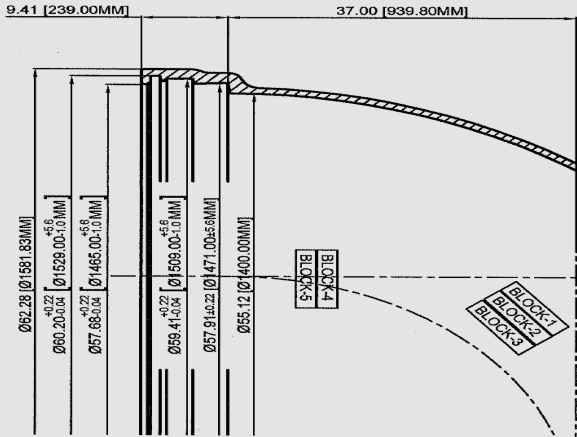




Quality – Service – Commitment – Delivered.

C153 DUCTILE IRON PUSH-ON FITTINGS



C153 DUCTILE IRON PUSH-ON FITTINGS BASIC SPECIFICATIONS

- SIZES:**
- 4" - 24"
- MATERIAL:**
- Ductile Iron ASTM A536, Grade 65-45-12, 60-42-10 or 70-50-05.
- PRESSURE:**
- 350 PSI Water Working Pressure 4" - 24"
- TESTING:**
- In accordance with ANSI/AWWA C153/A21.53.
 - In accordance with UL - FM requirement.
 - All fittings are hydrostatically tested in accordance with SIGMA Quality Management Standard.
 - All fittings are heat coded to ensure traceability and verification of metallurgical properties in accordance with SIGMA Quality Management Standards.
- LAYING LENGTH:**
- Short body design - straight section of body deleted to provide a compact and lighter fitting without reducing strength or flow characteristics.
 - In accordance with ANSI/AWWA C153/A21.53.
- DEFLECTION:**
- Up to 5 degrees, in accordance with TYTON JOINT bell design
- CEMENT LINING:**
- Double cement lined in accordance with ANSI/AWWA C104 / A21.4.
- COATING:**
- Interior of fitting is seal coated (asphaltic material) in accordance with ANSI AWWA C104/A21.4 and NSF61 approved.
 - Exterior of fitting is seal coated (asphaltic material) in accordance with ANSI/AWWA C153/A21.53 and NSF61 approved.
- GASKETS:**
- Dual hardness SBR in accordance with ANSI/AWWA C111/A21.11.
- JOINT:**
- TYTON JOINT® push-on bell joint design, manufactured by SIGMA under license from the United States Pipe and Foundry Company.
- APPROVALS:**
- 4"-12" Underwriters Laboratories listed and Factory Mutual Approved.
- STANDARDS:**
- Certified to NSF61 Standard including Annex G & 372.
 - ANSI/AWWA C153/A21.53 for Compact Ductile Iron Fittings 2"-64" for water and other liquids.
- INSTALLATION:**
- Per ANSI/AWWA C600 and C111 using DIP conforming to C150/C151 and PVC pipe conforming to C900/C905.

C153 DUCTILE IRON COMPACT PUSH-ON FITTINGS

INDEX

BENDS

90° Bends	4
45° Bends	4
22 1/2° Bends	4
11 1/4° Bends	4

TEES	5-6
Trim Tyton X Flange X Flange Tees	5

CROSSES	6-7
----------------------	-----

WYES 45° LATERALS	7
--------------------------------	---

OFFSETS

Trim Tyton X Trim Tyton Offset	8
Trim Tyton X Plain End Offset	8

PO X FLANGE ADAPTERS	8
-----------------------------------	---

CAPS	9
-------------------	---

PLUGS	9
--------------------	---

DPP
DPPS

HYDRANT TEES	9
---------------------------	---

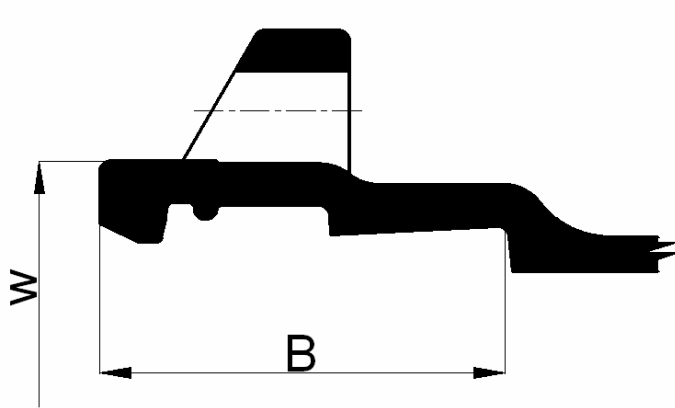
HYDRANT BURRIES	9
------------------------------	---

REDUCERS	10
-----------------------	----

Tyton X Flange Reducers	10
Plain End X Trim Tyton Reducers	10



TYTON JOINT® Bell Specifications for C153 Ductile Iron Push-On Fittings

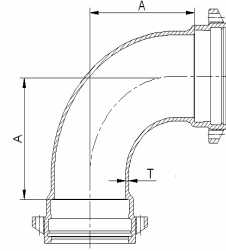


SIZE	W	B
4	6.48	4.00
6	8.66	4.00
8	10.94	4.50
10	13.03	4.50
12	15.17	5.00
14	17.88	5.00
16	20.04	6.00
18	22.34	6.00
20	24.46	6.00
24	28.78	6.00

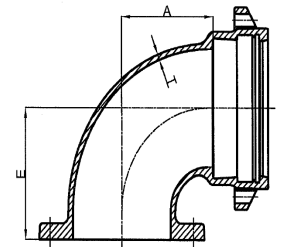
C153 DUCTILE IRON COMPACT PUSH-ON FITTINGS

90° Bends

SIZE	ITEM NO.	Weight	A	T	ITEM NO	E
4	DPB490	25	4.00	0.34	PFB490	6.50
6	DPB690	46	5.00	0.36	PFB690	8.00
8	DPB890	69	6.50	0.38	PFB890	9.00
10	DPB1090	98	7.50	0.40	PFB1090	11.00
12	DPB1290	131	9.00	0.42	PFB1290	12.00
14	DPB1490	230	11.50	0.47	PFB1490	14.00
16	DPB1690	309	12.50	0.50	PFB1690	15.00
18	DPB1890	409	14.00	0.54	PFB1890	16.50
20	DPB2090	480	15.00	0.57	PFB2090	18.00
24	DPB2490	630	16.75	0.61	PFB2490	22.00



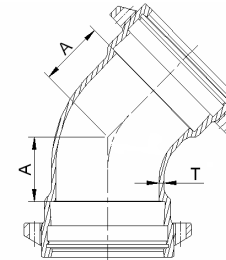
PO x PO Bend 90°



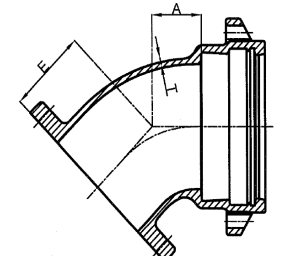
PO x Flanged 90°

45° Bends

SIZE	ITEM NO.	Weight	A	T	ITEM NO	E
4	DPB445	21	2.00	0.34	PFB445	4.00
6	DPB645	39	3.00	0.36	PFB645	5.00
8	DPB845	58	3.50	0.38	PFB845	5.50
10	DPB1045	79	4.50	0.40	PFB1045	6.50
12	DPB1245	109	5.50	0.42	PFB1245	7.50
14	DPB1445	180	5.00	0.47	PFB1445	7.50
16	DPB1645	266	5.50	0.50	PFB1645	8.00
18	DPB1845	350	6.00	0.54	PFB1845	8.50
20	DPB2045	420	7.00	0.57	PFB2045	9.50
24	DPB2445	450	7.50	0.61	PFB2445	11.00



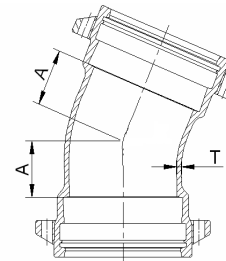
PO x PO Bend 45°



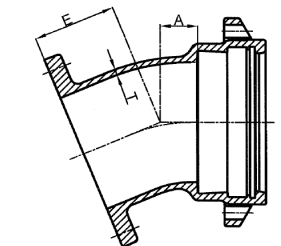
PO x Flanged 45°

22-1/2° Bends

SIZE	ITEM NO.	Weight	A	T	ITEM NO	E
4	DPB422	21	1.50	0.34	PFB422	4.00
6	DPB622	39	2.00	0.36	PFB622	5.00
8	DPB822	58	2.50	0.38	PFB822	5.50
10	DPB1022	80	3.00	0.40	PFB1022	6.50
12	DPB1222	106	3.50	0.42	PFB1222	7.50
14	DPB1422	180	3.75	0.47	PFB1422	7.50
16	DPB1622	269	3.75	0.50	PFB1622	8.00
18	DPB1822	340	4.50	0.54	PFB1822	8.50
20	DPB2022	380	4.50	0.57	PFB2022	9.50
24	DPB2422	420	4.50	0.61	PFB2422	11.00



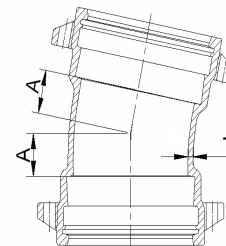
PO x PO Bend 22-1/2°



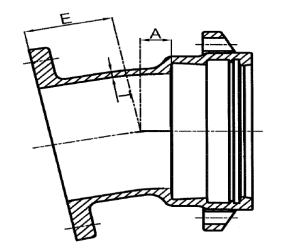
PO x Flanged 22-1/2°

11-1/4° Bends

SIZE	ITEM NO.	Weight	A	T	ITEM NO	E
4	DPB411	21	1.25	0.34	PFB411	4.00
6	DPB611	36	1.50	0.36	PFB611	5.00
8	DPB811	54	1.75	0.38	PFB811	2.50
10	DPB1011	68	2.00	0.40	PFB1011	6.50
12	DPB1211	93	2.25	0.42	PFB1211	7.50
14	DPB1411	180	2.50	0.47	PFB1411	7.50
16	DPB1611	271	2.50	0.50	PFB1611	8.00
18	DPB1811	350	3.00	0.54	PFB1811	8.50
20	DPB2011	390	3.00	0.57	PFB2011	9.50
24	DPB2411	430	3.00	0.61	PFB2411	11.00



PO x PO Bend 11-1/4°



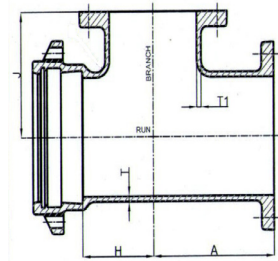
PO x Flanged 11-1/4°

Weights in Pounds, Less Accessories / Dimensions in inches
Ductile Iron per ASTM A536

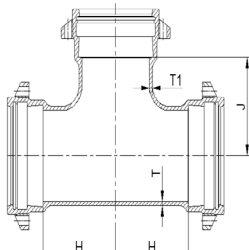


TRIM TYTON x FLANGE x FLANGE TEES

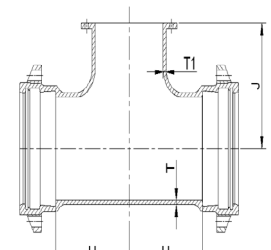
SIZE		ITEM NO.	Weight	H	A	J	T	T1
Run	Branch							
4	4	PFF44		4.00	8.00	6.50	0.34	0.34
6	4	PFF64	59.00	4.00	8.00	8.00	0.36	0.34
6	6	PFF66	89.49	5.00	9.00	8.00	0.36	0.36
8	4	PFF84	94.00	4.00	8.50	9.00	0.38	0.34
8	6	PFF86	107.00	5.00	9.50	9.00	0.38	0.36
8	8	PFF88	112.00	6.50	11.00	9.00	0.38	0.38
10	4	PFF104	124.00	4.00	8.50	11.00	0.40	0.34
10	6	PFF106	148.00	5.00	9.50	11.00	0.40	0.36
10	8	PFF108	158.00	6.50	11.00	11.00	0.40	0.38
10	10	PFF1010		7.50	12.00	11.00	0.40	0.40
12	4	PFF124	165.00	4.00	9.00	12.00	0.42	0.34
12	6	PFF126	175.50	5.00	10.00	12.00	0.42	0.36
12	8	PFF128	195.00	6.50	11.50	12.00	0.42	0.38
12	10	PFF1210		7.50	12.50	12.00	0.42	0.40
12	12	PFF1212	210.00	8.75	13.75	12.00	0.42	0.42



PO x Flange x Flange Tee



Tees (PO x PO)



Tees (PO X Flange)

Tees

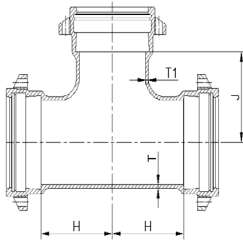
SIZE		ITEM NO.	Weight	H	J	T	T1	ITEM NO.	Weight	H	J	T	T1
Run	Branch												
4	4	DPT44	37	4.00	4.00	0.34	0.34	DPF44	39	4.00	6.50	0.34	0.34
6	4	DPT64	58	4.00	5.00	0.36	0.34	DPF64	63	4.00	8.00	0.36	0.34
6	6	DPT66	65	5.00	5.00	0.36	0.36	DPF66	67	5.00	8.00	0.36	0.36
8	4	DPT84	80	4.00	6.50	0.38	0.34	DPF84	80	4.00	9.00	0.38	0.34
8	6	DPT86	91	5.00	6.50	0.38	0.36	DPF86	88	5.00	9.00	0.38	0.36
8	8	DPT88	101	6.50	6.50	0.38	0.38	DPF88	100	6.50	9.00	0.38	0.38
10	4	DPT104	95	4.00	7.50	0.40	0.34	DPF104	97	4.00	11.00	0.40	0.34
10	6	DPT106	104	5.00	7.50	0.40	0.36	DPF106	108	5.00	11.00	0.40	0.36
10	8	DPT108	122	6.50	7.50	0.40	0.38	DPF108	130	6.50	11.00	0.40	0.38
10	10	DPT1010	131	7.50	7.50	0.40	0.40	DPF1010	144	7.50	11.00	0.40	0.40
12	4	DPT124	117	4.00	8.75	0.42	0.34	DPF124	122	4.00	12.00	0.42	0.34
12	6	DPT126	128	5.00	8.75	0.42	0.36	DPF126	134	5.00	12.00	0.42	0.36
12	8	DPT128	153	6.50	8.75	0.42	0.38	DPF128	156	6.50	12.00	0.42	0.38
12	10	DPT1210	156	7.50	8.75	0.42	0.40	DPF1210	175	7.50	12.00	0.42	0.40
12	12	DPT1212	190	8.75	8.75	0.42	0.42	DPF1212	196	8.75	12.00	0.42	0.42
14	4	DPT144	165	5.50	10.50	0.47	0.34	DPF144	225	5.50	14.00	0.47	0.34
14	6	DPT146	175	6.50	10.50	0.47	0.36	DPF146	247	6.50	14.00	0.47	0.36
14	8	DPT148	220	7.50	10.50	0.47	0.38	DPF148	265	7.50	14.00	0.47	0.38
14	10	DPT1410	280	8.50	10.50	0.47	0.40	DPF1410	285	8.50	14.00	0.47	0.40
14	12	DPT1412	330	9.50	10.50	0.47	0.42	DPF1412	300	9.50	14.00	0.47	0.42
14	14	DPT1414	390	10.50	10.50	0.47	0.47	DPF1414	320	10.50	14.00	0.47	0.47
16	6	DPT166	296	6.50	11.50	0.50	0.36	DPF166	308	6.50	15.00	0.50	0.36
16	8	DPT168	339	7.50	11.50	0.50	0.38	DPF168	339	7.50	15.00	0.50	0.38
16	10	DPT1610	353	8.50	11.50	0.50	0.40	DPF1610	360	8.50	15.00	0.50	0.40
16	12	DPT1612	385	9.50	11.50	0.50	0.42	DPF1612	380	9.50	15.00	0.50	0.42
16	14	DPT1614	425	10.50	11.50	0.50	0.47	DPF1614	410	10.50	15.00	0.50	0.47
16	16	DPT1616	486	11.50	11.50	0.50	0.50	DPF1616	440	11.50	15.00	0.50	0.50



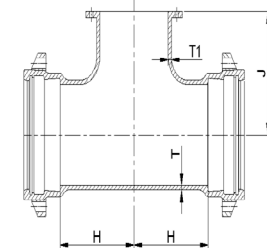
Weights in Pounds, Less Accessories / Dimensions in inches

Ductile Iron per ASTM A536

C153 DUCTILE IRON COMPACT PUSH-ON FITTINGS



Tees (PO x PO)



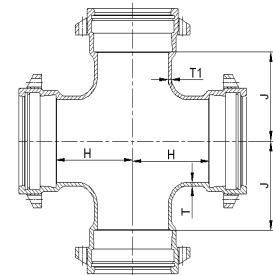
Tees (PO X Flange)

Tees (continued)

SIZE		ITEM NO.	Weight	H	J	T	T1	ITEM NO.	Weight	H	J	T	T1
Run	Branch												
18	6	DPT186	320	6.50	12.50	0.54	0.36	DPF186	400	6.50	15.50	0.54	0.36
18	8	DPT188	350	7.50	12.50	0.54	0.38	DPF188	420	7.50	15.50	0.54	0.38
18	10	DPT1810	380	8.50	12.50	0.54	0.40	DPF1810	450	8.50	15.50	0.54	0.40
18	12	DPT1812	420	9.50	12.50	0.54	0.42	DPF1812	480	9.50	15.50	0.54	0.42
18	14	DPT1814	460	10.50	12.50	0.54	0.47	DPF1814	510	10.50	16.50	0.54	0.47
18	16	DPT1816	500	11.50	12.50	0.54	0.50	DPF1816	530	11.50	16.50	0.54	0.50
18	18	DPT1818	540	12.50	12.50	0.54	0.54	DPF1818	570	12.50	16.50	0.54	0.54
20	6	DPT206	500	6.50	14.00	0.57	0.36	DPF206	600	6.50	17.00	0.57	0.36
20	8	DPT208	560	8.00	14.00	0.57	0.38	DPF208	630	8.00	17.00	0.57	0.38
20	10	DPT2010	600	9.00	14.00	0.57	0.40	DPF2010	660	9.00	17.00	0.57	0.40
20	12	DPT2012	630	10.00	14.00	0.57	0.42	DPF2012	690	10.00	17.00	0.57	0.42
20	14	DPT2014	670	11.00	14.00	0.57	0.47	DPF2014	720	11.00	17.00	0.57	0.47
20	16	DPT2016	710	12.00	14.00	0.57	0.50	DPF2016	750	12.00	18.00	0.57	0.50
20	18	DPT2018	760	13.00	14.00	0.57	0.54	DPF2018	780	13.00	18.00	0.57	0.54
20	20	DPT2020	790	14.00	14.00	0.57	0.57	DPF2020	810	14.00	18.00	0.57	0.57
24	6	DPT246	800	7.00	16.00	0.61	0.36	DPF246	780	7.00	19.00	0.61	0.36
24	8	DPT248	830	8.00	16.00	0.61	0.38	DPF248	800	8.00	19.00	0.61	0.38
24	10	DPT2410	860	9.00	16.00	0.61	0.40	DPF2410		9.00	19.00	0.61	0.40
24	12	DPT2412	890	10.00	16.00	0.61	0.42	DPF2412		10.00	19.00	0.61	0.42
24	14	DPT2414	910	11.00	16.00	0.61	0.47	DPF2414		11.00	19.00	0.61	0.47
24	16	DPT2416	930	12.00	16.00	0.61	0.50	DPF2416		12.00	19.00	0.61	0.50
24	18	DPT2418	990	13.00	16.00	0.61	0.54	DPF2418		13.00	22.00	0.61	0.54
24	20	DPT2420	1,030	14.00	16.00	0.61	0.57	DPF2420		14.00	22.00	0.61	0.57
24	24	DPT2424	1,070	16.00	16.00	0.61	0.61	DPF2424	1,070	16.00	22.00	0.61	0.61

Crosses

SIZE		ITEM NO.	Weight	H	J	T	T1
Run	Branch						
4	4	DPC44	55	4.00	4.00	0.34	0.34
6	4	DPC64	69	4.00	5.00	0.36	0.34
6	6	DPC66	74	5.00	5.00	0.36	0.36
8	4	DPC84	94	4.00	6.50	0.38	0.34
8	6	DPC86	122	5.00	6.50	0.38	0.36
8	8	DPC88	131	6.00	6.00	0.38	0.38
10	4	DPC104	144	4.00	7.50	0.40	0.34
10	6	DPC106	152	5.00	7.50	0.40	0.36
10	8	DPC108	159	6.50	7.50	0.40	0.38
10	10	DPC1010	165	7.00	7.00	0.40	0.40
12	4	DPC124	168	4.00	8.75	0.42	0.34
12	6	DPC126	174	5.00	8.75	0.42	0.36
12	8	DPC128	194	6.50	8.75	0.42	0.38
12	10	DPC1210	195	7.50	8.75	0.42	0.40
12	12	DPC1212	206	8.50	8.50	0.42	0.42
14	4	DPC144	250	5.50	10.50	0.47	0.34
14	6	DPC146	270	6.50	10.50	0.47	0.36
14	8	DPC148	290	7.50	10.50	0.47	0.38
14	10	DPC1410	320	8.50	10.50	0.47	0.40
14	12	DPC1412	350	9.50	10.50	0.47	0.42
14	14	DPC1414	380	10.50	10.50	0.47	0.47



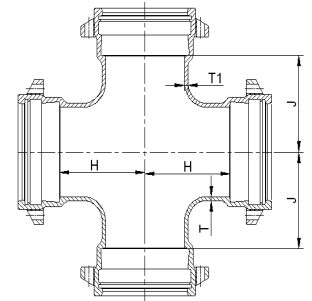
PO x PO Cross

Weights in Pounds, Less Accessories / Dimensions in inches
Ductile Iron per ASTM A536

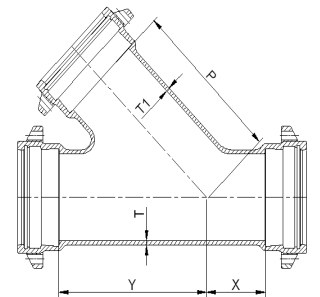


Crosses (continued)

SIZE		ITEM NO.	Weight	H	J	T	T1
Run	Branch						
16	6	DPC166	370	6.50	11.50	0.50	0.36
16	8	DPC168	390	7.50	11.50	0.50	0.38
16	10	DPC1610	420	8.50	11.50	0.50	0.40
16	12	DPC1612	450	9.50	11.50	0.50	0.42
16	14	DPC1614	480	10.50	11.50	0.50	0.47
16	16	DPC1616	510	11.50	11.50	0.50	0.50
18	6	DPC186	460	6.50	12.50	0.54	0.36
18	8	DPC188	480	7.50	12.50	0.54	0.38
18	10	DPC1810	510	8.50	12.50	0.54	0.40
18	12	DPC1812	540	9.50	12.50	0.54	0.42
18	14	DPC1814	570	10.50	12.50	0.54	0.47
18	16	DPC1816	600	11.50	12.50	0.54	0.50
18	18	DPC1818	630	12.50	12.50	0.54	0.54
20	6	DPC206	540	6.50	14.00	0.57	0.36
20	8	DPC208	560	8.00	14.00	0.57	0.38
20	10	DPC2010	590	9.00	14.00	0.57	0.40
20	12	DPC2012	620	10.00	14.00	0.57	0.42
20	14	DPC2014	650	11.00	14.00	0.57	0.47
20	16	DPC2016	680	12.00	14.00	0.57	0.50
20	18	DPC2018	710	13.00	14.00	0.57	0.54
20	20	DPC2020	740	14.00	14.00	0.57	0.57
24	6	DPC246	710	7.00	16.00	0.61	0.36
24	8	DPC248	720	8.00	16.00	0.61	0.38
24	10	DPC2410	750	9.00	16.00	0.61	0.40
24	12	DPC2412	780	10.00	16.00	0.61	0.42
24	14	DPC2414	810	11.00	16.00	0.61	0.47
24	16	DPC2416	840	12.00	16.00	0.61	0.50
24	18	DPC2418	870	13.00	16.00	0.61	0.54
24	20	DPC2420	900	14.00	16.00	0.61	0.57
24	24	DPC2424	930	16.00	16.00	0.61	0.61



DPC



DPY

Wyes (45° Lateral)

SIZE		ITEM NO.	Wt.	X	Y	P	T	T1
Run	Br.							
4	4	DPY44	53	2.50	9.50	9.50	0.34	0.34
6	4	DPY64	83	3.00	13.00	13.00	0.36	0.34
6	6	DPY66	102	3.00	13.00	13.00	0.36	0.36
8	4	DPY84	123	3.50	16.00	16.00	0.38	0.34
8	6	DPY86	117	3.50	16.00	16.00	0.38	0.36
8	8	DPY88	152	3.50	16.00	16.00	0.38	0.38
10	6	DPY106	154	3.50	19.00	19.00	0.40	0.36
10	8	DPY108	160	3.50	19.00	19.00	0.40	0.38
10	10	DPY1010	170	3.50	19.00	19.00	0.40	0.40
12	6	DPY126	236	4.50	22.50	22.50	0.42	0.36
12	8	DPY128	259	4.50	22.50	22.50	0.42	0.38
12	10	DPY1210	282	4.50	22.50	22.50	0.42	0.40
12	12	DPY1212	314	4.50	22.50	22.50	0.42	0.42
14	6	DPY146	340	0.00	19.00	21.50	0.47	0.36
14	8	DPY148	370	1.50	20.00	22.50	0.47	0.38
14	10	DPY1410	420	4.00	25.00	25.00	0.47	0.40
14	12	DPY1412	440	5.00	25.00	25.00	0.47	0.42
14	14	DPY1414	460	6.00	25.00	25.00	0.47	0.47
16	6	DPY166	440	0.00	21.50	24.00	0.50	0.36
16	8	DPY168	470	1.50	23.00	25.00	0.50	0.38
16	10	DPY1610	550	6.50	28.00	28.00	0.50	0.40
16	12	DPY1612	565	6.50	28.00	28.00	0.50	0.42
16	14	DPY1614	580	6.50	28.00	28.00	0.50	0.47
16	16	DPY1616	595	6.50	28.00	28.00	0.50	0.50

SIZE		ITEM NO.	Wt.	X	Y	P	T	T1
Run	Br.							
18	6	DPY186	500	0.00	23.00	25.50	0.54	0.36
18	8	DPY188	540	1.50	25.00	27.50	0.54	0.38
18	10	DPY1810	580	4.50	30.00	30.00	0.54	0.40
18	12	DPY1812	595	4.50	30.00	30.00	0.54	0.42
18	14	DPY1814	610	4.50	30.00	30.00	0.54	0.47
18	16	DPY1816	625	4.50	30.00	30.00	0.54	0.50
18	18	DPY1818	650	6.50	30.00	30.00	0.54	0.54
20	6	DPY206	540	0.00	25.00	27.50	0.57	0.36
20	8	DPY208	565	1.50	25.00	27.50	0.57	0.38
20	10	DPY2010	600	3.00	28.00	30.00	0.57	0.40
20	12	DPY2012	640	6.50	32.00	32.00	0.57	0.42
20	14	DPY2014	655	6.50	32.00	32.00	0.57	0.47
20	16	DPY2016	670	6.50	32.00	32.00	0.57	0.50
20	18	DPY2018	685	6.50	32.00	32.00	0.57	0.54
20	20	DPY2020	720	8.00	33.00	33.00	0.57	0.57
24	6	DPY246	600	0.00	29.50	32.50	0.61	0.36
24	8	DPY248	615	0.00	29.50	32.50	0.61	0.38
24	10	DPY2410	650	1.50	32.00	34.50	0.61	0.40
24	12	DPY2412	675	3.00	32.00	34.50	0.61	0.42
24	14	DPY2414	700	4.50	33.00	34.50	0.61	0.47
24	16	DPY2416	720	5.50	35.00	35.00	0.61	0.50
24	18	DPY2418	745	7.00	36.00	36.00	0.61	0.54
24	20	DPY2420	770	9.00	38.50	38.50	0.61	0.57
24	24	DPY2424	800	9.00	38.50	38.50	0.61	0.61



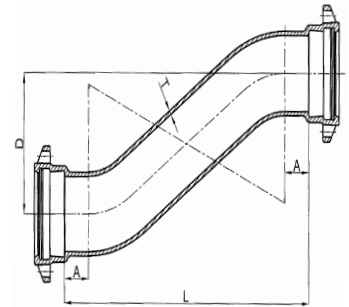
Weights in Pounds, Less Accessories / Dimensions in inches

Ductile Iron per ASTM A536

C153 DUCTILE IRON COMPACT PUSH-ON FITTINGS

Trim Tyton X Trim Tyton Offset

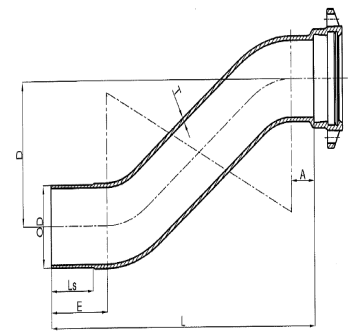
SIZE	ITEM NO.	Weight	L	D	A	T
4	DPO46		19.00	6.00	3.25	0.34
4	DPO412		22.00	12.00	3.25	0.34
4	DPO418		30.00	18.00	3.38	0.34
4	DPO424		33.50	24.00	3.79	0.34
6	DPO66		20.00	6.00	3.29	0.36
6	DPO612		26.00	12.00	3.20	0.36
6	DPO618		33.00	18.00	3.42	0.36
6	DPO624		34.00	24.00	3.14	0.36
8	DPO86		21.00	6.00	3.36	0.38
8	DPO812		28.00	12.00	3.05	0.38
8	DPO818		35.00	18.00	3.11	0.38
8	DPO824		33.00	24.00	3.54	0.38
10	DPO106		22.00	6.00	3.06	0.40
10	DPO1012		30.00	12.00	3.00	0.40
10	DPO1018		35.00	18.00	3.41	0.40
10	DPO1024		38.00	24.00	3.51	0.40
12	DPO126		26.00	6.00	3.67	0.42
12	DPO1212		35.00	12.00	3.40	0.42
12	DPO1218		48.00	18.00	3.43	0.42
12	DPO1224		50.00	24.00	3.97	0.42



DPO

Trim Tyton X Plain End Offset

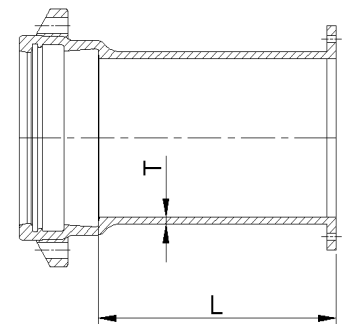
SIZE	ITEM NO.	Weight	L	D	A	E	Ls	OD	T
4	DPQ46		19.00	6.00	3.25	11.25	5.5	4.80	0.34
4	DPQ412	66	22.00	12.00	3.25	11.25	5.5	4.80	0.34
4	DPQ418	60	30.00	18.00	3.38	11.38	5.5	4.80	0.34
4	DPQ424		33.50	24.00	3.79	11.38	5.5	4.80	0.34
6	DPQ66		20.00	6.00	3.29	11.29	5.5	6.90	0.36
6	DPQ612	100	26.00	12.00	3.20	11.20	5.5	6.90	0.36
6	DPQ618	106	33.00	18.00	3.42	11.42	5.5	6.90	0.36
6	DPQ624		34.00	24.00	3.14	11.14	5.5	6.90	0.36
8	DPQ86		21.00	6.00	3.36	11.36	5.5	9.05	0.38
8	DPQ812	140	28.00	12.00	3.05	11.05	5.5	9.05	0.38
8	DPQ818	152	35.00	18.00	3.11	11.11	5.5	9.05	0.38
8	DPQ824		33.00	24.00	3.54	11.54	5.5	9.05	0.38
10	DPQ106		22.00	6.00	3.06	11.06	5.5	11.10	0.40
10	DPQ1012		30.00	12.00	3.00	11.00	5.5	11.10	0.40
10	DPQ1018		35.00	18.00	3.41	11.41	5.5	11.10	0.40
10	DPQ1024		38.00	24.00	3.51	11.51	5.5	11.10	0.40
12	DPQ126		26.00	6.00	3.67	11.67	5.5	13.20	0.42
12	DPQ1212	230	35.00	12.00	3.40	11.40	5.5	13.20	0.42
12	DPQ1218	294	48.00	18.00	3.43	11.43	5.5	13.20	0.42
12	DPQ1224		50.00	24.00	3.97	11.97	5.5	13.20	0.42
16	DPQ1618	375	37.00	18.00	5.50	13.50	8	17.40	0.50



DPQ

PO x Flange Adapters

SIZE	ITEM NO.	Weight	L	T
4	PFA4	28	5.00	0.34
6	PFA6	39	5.00	0.36
8	PFA8	53	5.00	0.38
10	PFA10	74	5.00	0.40
12	PFA12	100	5.00	0.42
14	PFA14	140	5.00	0.47
16	PFA16	184	5.00	0.50
18	PFA18	225	5.00	0.54
20	PFA20	270	5.00	0.57
24	PFA24	320	5.00	0.61



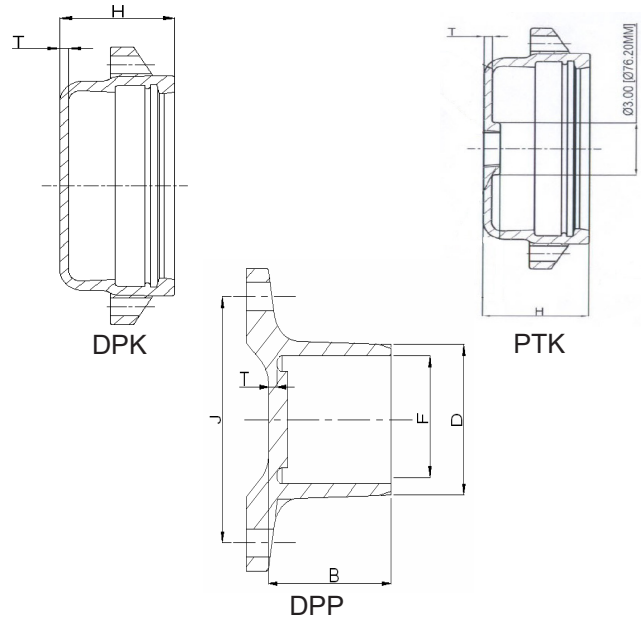
PFA

Weights in Pounds, Less Accessories / Dimensions in inches
Ductile Iron per ASTM A536



Caps

SIZE	ITEM NO.	Wt.	H	T	ITEM NO.
4	DPK4	14	4.34	0.34	PTK4
6	DPK6	21	4.36	0.36	PTK6
8	DPK8	31	4.88	0.38	PTK8
10	DPK10	48	4.90	0.40	PTK10
12	DPK12	53	5.42	0.42	PTK12
14	DPK14	75	5.47	0.47	
16	DPK16	103	6.50	0.50	
18	DPK18	125	6.54	0.54	
20	DPK20	150	6.57	0.57	
24	DPK24	178	6.61	0.61	

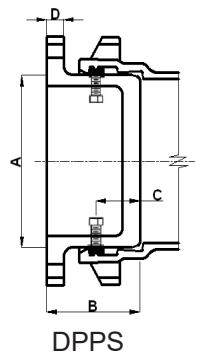


Plugs (DPP)

SIZE	ITEM NO.	Wt.	D	F	J	B	T
4	DPP4	12	4.70	3.99	7.68	4.88	0.34
6	DPP6	20	6.80	6.09	9.81	4.88	0.36
8	DPP8	27	8.95	8.19	12.06	5.25	0.38
10	DPP10	36	11.00	10.20	14.12	5.25	0.40
12	DPP12	47	13.10	12.25	16.50	5.50	0.42

Plugs (DPPS)

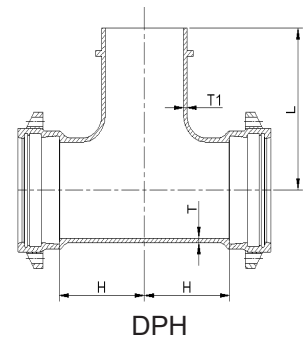
SIZE	ITEM NO.	ITEM NO.	Wt.	A	B	C	D	ITEM NO.	ITEM NO.	B	C
4	DPPS4-U	PTPS4-U	13.82	4.80	5.13	2.31	1.00	DPPS4	PTPS4	5.90	3.12
6	DPPS6-U	PTPS6-U	23.21	6.90	5.25	2.38	1.00	DPPS6	PTPS6	5.81	2.94
8	DPPS8-U	PTPS8-U	43.57	9.05	5.63	2.63	1.06	DPPS8	PTPS8	6.38	3.38
10	DPPS10-U	PTPS10-U	62.09	11.10	5.75	2.56	1.13	DPPS10	PTPS10	6.44	3.25
12	DPPS12-U	PTPS12-U	84.74	13.20	5.81	2.56	1.19	DPPS12	PTPS12	7.00	3.75
14	DPPS14-U	PTPS14-U	110.6	15.30	7.00	3.64	1.25	DPPS14	PTPS14	7.00	3.64
16	DPPS16-U	PTPS16-U	151.04	17.40	8.00	4.64	1.31	DPPS16	PTPS16	8.00	4.64
18	DPPS18-U	PTPS18-U	184.2	19.50	8.00	4.64	1.38	DPPS18	PTPS18	8.00	4.64
20	DPPS20-U	PTPS20-U	219.95	21.60	8.00	4.64	1.44	DPPS20	PTPS20	8.00	4.64
24	DPPS24-U	PTPS24-U	292.6	25.80	8.00	4.64	1.56	DPPS24	PTPS24	8.00	4.64



NOTE: PTP has 2" NPT tap. More tap sizes are available upon request.

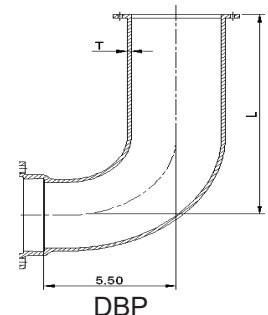
Hydrant Tees

SIZE		ITEM NO.	Wt.	H	L	T	T1
Run	Branch						
6	6	DPH66	71	5.00	10.00	0.36	0.36
8	6	DPH86	83	5.00	11.00	0.38	0.36
10	6	DPH106	100	5.00	12.50	0.40	0.36
12	6	DPH126	138	5.00	13.50	0.42	0.36
14	6	DPH146	170	6.00	15.00	0.47	0.36
16	6	DPH166	200	6.00	16.00	0.50	0.36
18	6	DPH186	225	6.00	17.00	0.54	0.36
20	6	DPH206	260	6.00	18.50	0.57	0.36
24	6	DPH246	295	6.00	19.00	0.61	0.36



Hydrant Buries

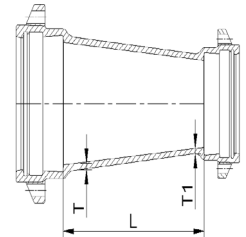
SIZE	ITEM NO.	Weight	L	T
6	12	DBP612	78	12.00
8	30	DBP630	117	30.00
10	36	DBP636	130	36.00
12	42	DBP642	135	42.00
14	48	DBP648	144	48.00
16	54	DBP654	157	54.00



C153 DUCTILE IRON COMPACT PUSH-ON FITTINGS

Reducers

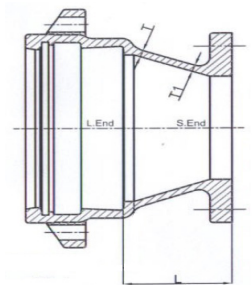
SIZE		ITEM NO.	Wt.	L	T	T1
L. END	S. END					
6	4	DPR64	33	4.00	0.36	0.34
8	4	DPR84	44	5.00	0.38	0.34
8	6	DPR86	48	4.00	0.38	0.36
10	4	DPR104	53	7.00	0.40	0.34
10	6	DPR106	74	5.00	0.40	0.36
10	8	DPR108	85	4.00	0.40	0.38
12	4	DPR124	73	9.00	0.42	0.34
12	6	DPR126	74	7.00	0.42	0.36
12	8	DPR128	79	5.00	0.42	0.38
12	10	DPR1210	81	4.00	0.42	0.40
14	6	DPR146	100	9.00	0.36	0.36
14	8	DPR148	100	7.00	0.38	0.38
14	10	DPR1410	120	5.00	0.40	0.40
14	12	DPR1412	120	4.00	0.42	0.42
16	6	DPR166	159	11.00	0.36	0.36
16	8	DPR168	165	9.00	0.38	0.38
16	10	DPR1610	148	7.00	0.40	0.40
16	12	DPR1612	172	5.00	0.42	0.42
16	14	DPR1614	175	4.00	0.47	0.47
18	8	DPR188	200	13.00	0.38	0.38
18	10	DPR1810	200	10.00	0.40	0.40
18	12	DPR1812	190	7.00	0.42	0.42
18	14	DPR1814	190	6.00	0.47	0.47
18	16	DPR1816	210	5.00	0.50	0.50
20	10	DPR2010	280	14.00	0.57	0.40
20	12	DPR2012	290	12.00	0.57	0.42
20	14	DPR2014	300	10.00	0.57	0.47
20	16	DPR2016	300	7.00	0.57	0.50
20	18	DPR2018	290	4.00	0.57	0.54
24	12	DPR2412	400	16.00	0.61	0.42
24	14	DPR2414	410	14.00	0.61	0.47
24	16	DPR2416	400	12.00	0.61	0.50
24	18	DPR2418	420	10.00	0.61	0.54
24	20	DPR2420	400	7.00	0.61	0.57



DPR

Trim Tyton X Flange Reducers

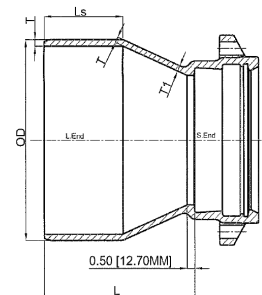
SIZE		ITEM NO.	Wt.	L	T	T1
L. END	S. END					
4	3	PFR43		5.00	0.34	0.33
6	3	PFR63		5.00	0.36	0.33
6	4	PFR64		5.00	0.36	0.34
8	4	PFR84		5.50	0.38	0.34
8	6	PFR86		5.50	0.38	0.36
10	4	PFR104		6.00	0.40	0.34
10	6	PFR106		6.00	0.40	0.36
10	8	PFR108		6.00	0.40	0.38
12	4	PFR124		6.50	0.42	0.34
12	6	PFR126		6.50	0.42	0.36
12	8	PFR128		6.50	0.42	0.38
12	10	PFR1210		6.50	0.42	0.40



PFR

Plain End X Trim Tyton Reducers

SIZE		ITEM NO.	L	OD	Ls	T	T1
L. END	S. END						
6	4	PSPR64	9.50	6.90	5.50	0.36	0.34
8	4	PSPR84	10.50	9.05	5.50	0.38	0.34
8	6	PSPR86	9.50	9.05	5.50	0.38	0.36
10	4	PSPR104	12.50	11.10	5.50	0.40	0.34
10	6	PSPR106	10.50	11.10	5.50	0.40	0.36
10	8	PSPR108	9.50	11.10	5.50	0.40	0.38
12	4	PSPR124	14.50	13.20	5.50	0.42	0.34
12	6	PSPR126	12.50	13.20	5.50	0.42	0.36
12	8	PSPR128	10.50	13.20	5.50	0.42	0.38
12	10	PSPR1210	9.50	13.20	5.50	0.42	0.40



PSPR



C153 Push On Joint Fittings Non-Standard Items:

Item #	Description
•DPP18	C153 DI 18" PO PLUG
•DPP20	C153 DI 20" PO PLUG
•DPP24	C153 DI 24" PO PLUG
•DPP3	C153 DI 3" PO PLUG
•DPP36	C153 DI 36" PO PLUG
•DPP30	C153 DI 30" PO PLUG
•PTP20	C153 DI 20" PO PLUG (TAPPED)
•DPF164	C153 DI 16" X 4" PO X FLG TEE
•DPY42	C153 DI 4" X 2" PO X PO WYE
•DPY104	C153 DI 10" X 4" PO X PO WYE
•DPY124	C153 DI 12" X 4" PO X PO WYE
•PFP88	8" C153 PO x FLG x PO TEE

Note: More non-standard fittings are available upon request. Please contact SIGMA.



LOCATIONS

Northeast Region

Cream Ridge, New Jersey (HQ)

700 Goldman Drive
Cream Ridge, NJ 08514
Phone (800) 999-2550
crmcsr@sigmaco.com

REPCO

51 Rue Gingras
Warwick, QC J0A 1M0
Phone (888) 744-6262
jbourcher@repco.ca

Concord Supply

2353 Bowman Street
Innisfil, Ontario L9S 3V6
Phone (877) 436-3800
tanya@concordsupply.ca

Midwest Region

Sauk Village, Illinois

21699 Torrence Avenue
Sauk Village, IL 60411
Phone (888) 999-0420
chicrs@sigmaco.com

Denver, Colorado

22700 I-76 Frontage Rd
Brighton, CO 80603
Phone (888) 999-0420
dbrugger@sigmaco.com

Southeast Region

Alexander City, Alabama

1500 Highway 22 W
Alexander City, AL 35010
Phone (800) 824-4513
alxcsr@sigmaco.com

Southwest Region

Houston, Texas

5000 Askins Lane
Houston, TX 77093
Phone (800) 999-0109
htncsr@sigmaco.com

Western Region

Ontario, California

4652 E. Guasti Road
Ontario, CA 91761
Phone (800) 688-6230
ontcsr@sigmaco.com

Auburn, Washington (Branch)

902 W Main Street
Auburn, WA 98001
Phone (800) 688-6230
ontcsr@sigmaco.com

www.sigmaco.com

Terms and Conditions of Sales available at our website.

AWWA Ductile Iron Fittings



- 2-64" C153 Ductile Iron Mechanical Joint Fittings
- 2-48" C110 Ductile Iron Mechanical Joint Fittings
- 2-64" C110 Ductile Iron Flanged Fittings
- 3-24" C153 Ductile Iron Push-On Fittings
- 4-24" C110 Ductile Iron Push-On Fittings
- 3-36" Ductile Iron Mechanical Joint Connector
- C116 Fusion Bonded Epoxy Lining Available
- PROTECTO 401® Ceramic Epoxy Lining Available

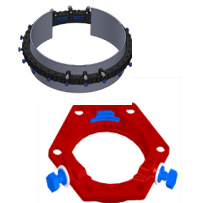
Visit our website for available special coatings. <https://www.sigmaco.com/project/fittings-coatings-linings/>

Mechanical Joint Accessories



- Prepackaged and Loose Mechanical Joint Accessories
- SIGMASEAL™ Improved Mechanical Joint Gasket
- Snap-On Multi-Purpose Gasket for Ductile Iron or PVC Pressure Pipes
- OMNI-SLEEVE™ Improved Wall Penetration Sleeve
- Specialty Bolts and Nuts for Mechanical Joint Assemblies

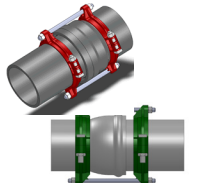
ONE-LOK™ Wedge Action Restraints



- 3-48" ONE-LOK D-SLDE Domestic Wedge Restraint for Ductile Iron Pipe
- 3-64" ONE-LOK SLDE Wedge Restraint for Ductile Iron Pipe (Import)
- 4-48" ONE-LOK T-SLDE Tandem Wedge Restraint for High Pressure Ductile Iron Pipe
- 3-36" ONE-LOK D-SLCE Domestic Wedge Restraint for PVC Pipe
- 3-12" ONE-LOK SLC Wedge Restraint for PVC Pipe (Import)
- 3-60" ONE-LOK SLCE Wedge Restraint for PVC Pipe (Import)
- 3-42" ONE-LOK SLDEH Wedge Harness Restraint for Ductile Iron Pipe
- 4-12" /16" /20" ONE-LOK SLDM Wedge Restraint for Oversized Cast Iron Pipe
- 4-48" ONE-LOK SSLD Split Wedge Restraint for Installed Ductile Iron Pipe & Fitting
- 4-36" ONE-LOK SSLDH Split Wedge Harness Restraint for Installed Ductile Iron Pipe
- 4-12" ONE-LOK SLCEH Wedge Harness Restraint for AWWA C900 PVC Pipe

Visit our website for available special coatings. <https://www.sigmaco.com/download/corsafe-alternative-coating-for-enhanced-exterior-corrosion-protection-on-wedge-and-serration-type-restrainers/>

PV-LOK™ Serration Lock Restraints



- 4-48" PV-LOK PWM Serrated Restraint for Ductile Iron Fitting & AWWA C900/905 PVC Pipe
- 4-48" PV-LOK PWP Serrated Bell Joint Restraint for AWWA C900/905 PVC Pipe
- 4-12" PV-LOK D-PWP Domestic Serrated Bell Joint Restraint for AWWA C900 PVC Pipe
- 4-12" PV-LOK PVPF Restraint for AWWA C900/905 PVC Pipe & PVC Fitting
- 4-12" PV-LOK PWH Serrated Harness Restraint for AWWA C900 PVC Pipe
- 2-12" PV-LOK PVM Serrated Restraint for Ductile Iron & IPS OD PVC pipe
- 2-12" PV-LOK PVP Serrated Bell Joint Restraint for IPS OD PVC Pipe
- 2-8" PV-LOK PVPF Serrated Restraint for IPS OD PVC Pipe & PVC Fitting
- 4-12" PV-LOK PWP Serrated Bell Joint Restraint for Ductile Iron Pipe

Visit our website for available special coatings. <https://www.sigmaco.com/download/corsafe-alternative-coating-for-enhanced-exterior-corrosion-protection-on-wedge-and-serration-type-restrainers/>

HDPE (Raven) Products



- Rotational Molded Meter Boxes & Pits
- Optional White Interior Available
- Light & Medium Duty Load Capacities
- Extensive Nationwide Inventory
- Rotational Molded Oil-Water Separators
- OEM Service Available

Municipal Construction Castings



- Manhole Rings and Covers
- Curb and Meter Boxes
- Frames and Grates
- Storm Inlets
- Valve Boxes, Risers, and Extensions

Products for the Ductile Iron Fabricator



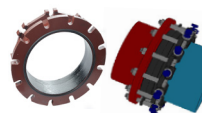
- 3-64" High Hub Threaded Flanges
- 3-48" Tapped High Hub Threaded Flanges
- 3-36" Extra Heavy 250lb Drilled Threaded Flanges
- 3-48" Threaded MJ Bell Adapters
- 3-48" MJ x PE Bell adapter
- 3-48" Anchor Flanges
- 3-16" Filler Flanges

Extended Range Products



- Flange-Pak™ Prepackaged Flange Accessory Sets
- Polyethylene Encasement for Ductile Iron Pipe
- Copper Tubing Products
- Tracer Wire & Detectable/Non-Detectable Marking Tape
- Pipe Joint Lubricant & Hydraulic Cement
- Socket Clamps and Tie Rod Accessories
- Boxlok Valve Box Alignment Device
- Cast Iron Companion Flanges

Flange Adapters



- 3-36" SIGMAFLANGE Flange Adapter Sleeve for PVC and Ductile Iron Pipe
- 2-48" ZIP FLANGE Set Screw Style Flange Adapter
- 3-36" SIGMAFLANGE Universal Joint for Flanged Fittings, Flanged Pipes & Valves