



1080p HDBaseT Extender 150m

This HDBaseT Extender is capable of extending HDMI signals from signal sources to display devices via CAT 5e/6 cable with a distance up to 150m/ 492ft and video resolution up to 1080P@60Hz YUV4:4:4. It supports bi-directional IR control, RS-232 control, EDID management, audio embedment (TX), and audio dis-embedment (RX). The transmitter supports HDMI signal loop out. Equipped with a powerful chip, the extender can continuously deliver stable work for 24 hours with low power consumption. It is easy to use, plug and play, which is widely applied in scenarios such as video conferences, out-doors big-screen demonstrations, and home theater.

Featured Highlights

- HDMI 1.3 and HDCP 1.4 compliant
- Video resolution is up to 1080P@60Hz
- The transmission distance via a single CAT 5e/6 cable is up to 150m/492ft
- Supports bi-directional IR control, RS-232 control, and EDID management
- Supports audio embedment and dis-embedment
- Supports bi-directional PoC (Power over Cable) function
- Compact design for easy and flexible installation

SPECIFICATIONS

HDMI Compliance	HDMI 1.3
HDCP Compliance	HDCP 1.4
Video Bandwidth	6.75Gbps
Video Resolution	480i ~1080p50/60Hz;
Color Depth	Up to1200P@60Hz
Color Space	8-bit (1080P60Hz)
HDMI Audio Formats	LPCM 2/5.1/7.1CH, Dolby Digital, DTS 5.1, Dolby Digital+, Dolby TrueHD, DTS-HD Master Audio, Dolby Atmos, DTS:X
Extension Distance	150m/492ft at 1080P@60

MECHANICAL

Housing	Metal Enclosure
Color	Black
Dimension	TX/ RX:146.7mm (W)×71.5mm (D)×21mm (H)
Weight	Transmitter: 287g, Receiver: 294g
Power Supply	Input: AC100~240V 50/60Hz Output: DC 24V/1A (Locking connector)
Power Consumption	8.4W (max)
Operating Temperature	0°C ~ 40°C / 32°F ~ 104°F
Storage temperature	-20°C ~ 60°C / -4°F ~ 140°F
Relative Humidity	20 - 90% RH (non-condensation)

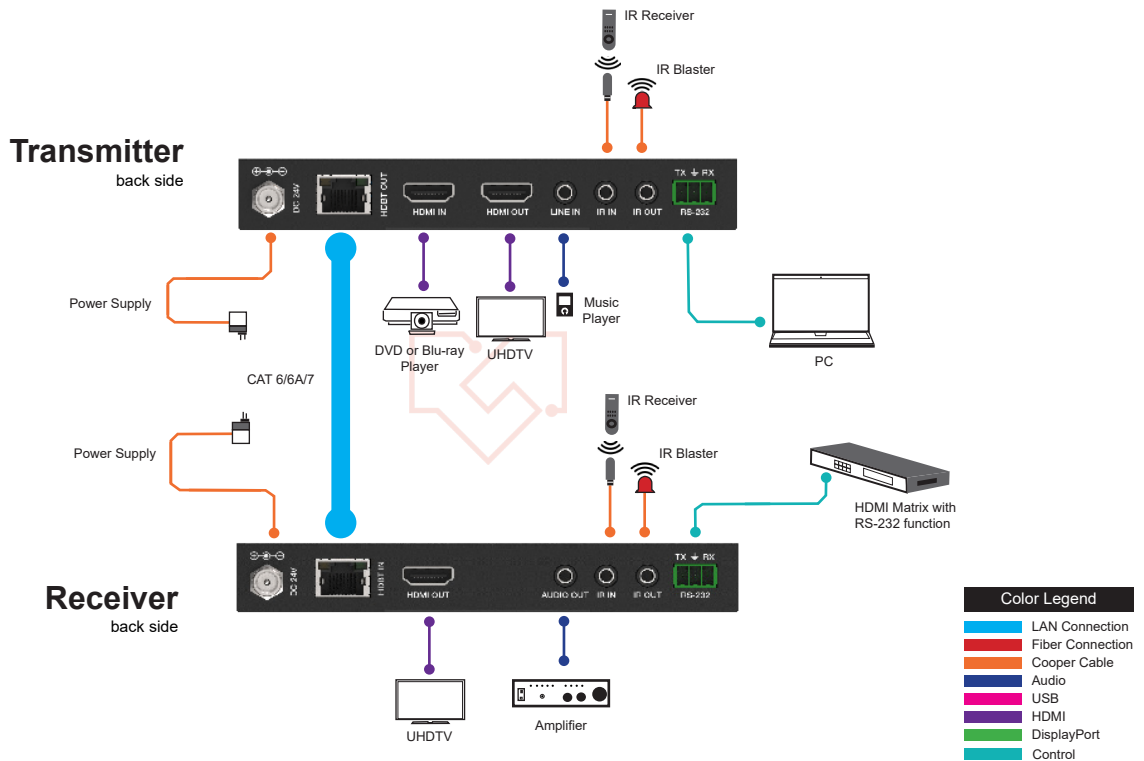
CONNECTIONS

Transmitter	Input: 1×HDMI IN [TypeA 19-pin female] 1×LINE IN [3.5mm Stereo Mini-jack] Output: 1×HDBT OUT [RJ45 8-pin female] 1×HDMI OUT [TypeA 19-pin female] Control: 1×AUDIO DIP Switch [1 pin] 1×EDID DIP Switch [2-pin] 1×IR IN [3.5mm Stereo Mini-jack] 1×IR OUT [3.5mm Stereo Mini-jack] 1×RS-232 [Phoenix jack] 1×Service [Micro-USB jack]
-------------	--

CONNECTIONS

Receiver	Input: 1×HDBT IN [RJ45 8-pin female] Output: 1×HDMI OUT [TypeA 19-pin female] 1×AUDIO OUT [3.5mm Stereo Mini-jack] Control: 1×RS-232 [Phoenix jack] 1×SERVICE [Micro-USB jack] 1×IR IN [3.5mm Stereo Mini-jack] 1×IR OUT [3.5mm Stereo Mini-jack]
----------	--

APPLICATION EXAMPLE



Applications

Digital Signage, Conference Rooms, Operating Rooms and Audio-Video Rooms