



18Gbps HDBaseT Extender 70m with ARC

Extend HDMI signal, bi-directional IR control signal, ARC signal and RS-232 control signal to a distance up to 70m / 230ft via a single CAT5e/6 cable. Converts HDMI signal to standard HDBaseT signal and transmits it through LAN cable. It can easily control signal source device or display device from the remote end through bi-directional IR signal pass-through function.

Video resolution up to 4K2K @60Hz. It supports ARC and POC function.

This extender can be widely used in fields such as video conference system, multimedia signal broadcasting, HDMI signal extension, etc.

Featured Highlights

- HDMI2.0b and HDCP 2.2 compliant
- Supports 18Gbps video bandwidth
- Supports video resolution up to 4K2K@60Hz RGB/YCBCR 4:4:4
- The transmission distance can be extended up to 70m / 230ft via a single CAT5e/6 cable
- Supports bi-directional IR and RS-232 control signal pass-through
- Supports ARC function, audio formats support Dolby 5.1, DTS 5.1, PCM2.0, etc.
- Advanced EDID management
- Supports POC (Power over Cable) function
- Compact design for easy and flexible installation

SPECIFICATIONS

HDMI Compliance	HDMI 2.0b
HDCP Compliance	HDCP 2.2
Video Bandwidth	18Gbps
Video Resolution	Up to 4K2K@60Hz RGB/YCBCR 4:4:4
IR Level	5Vp-p
IR Frequency	Wideband 20K-60KHz
Transmission Distance	70m via a single CAT5e/6 cable
Color Space	RGB, YCbCr 4:4:4, YCbCr 4:2:2
Color Depth	8-bit, 10-bit, 12-bit (1080P) 8-bit (4K60) 8-bit, 10-bit, 12-bit (4K24/30)
HDR	HDR, HDR10, HDR10+, Dolby Vision, HLG
Audio Formats	HDMI: LPCM 7.1CH, Dolby True HD, and DTS-HD Master Optical: Dolby 5.1, DTS 5.1, PCM 2.0

MECHANICAL

Housing	Metal Enclosure
Color	Black
Dimensions	Transmitter / Receiver: 140mm (W)×65mm (D)×18mm (H)
Weight	Transmitter: 235 g, Receiver: 239 g
Power Supply	DC 24V/1A; Support bi-directional POC function
Power Consumption	9.6 W (max)
Operating Temperature	0°C ~ 40°C / 32°F ~ 104°F
Storage Temperature	-20°C ~ 60°C / -4°F ~ 140°F
Relative Humidity	20~90% RH (non-condensing)

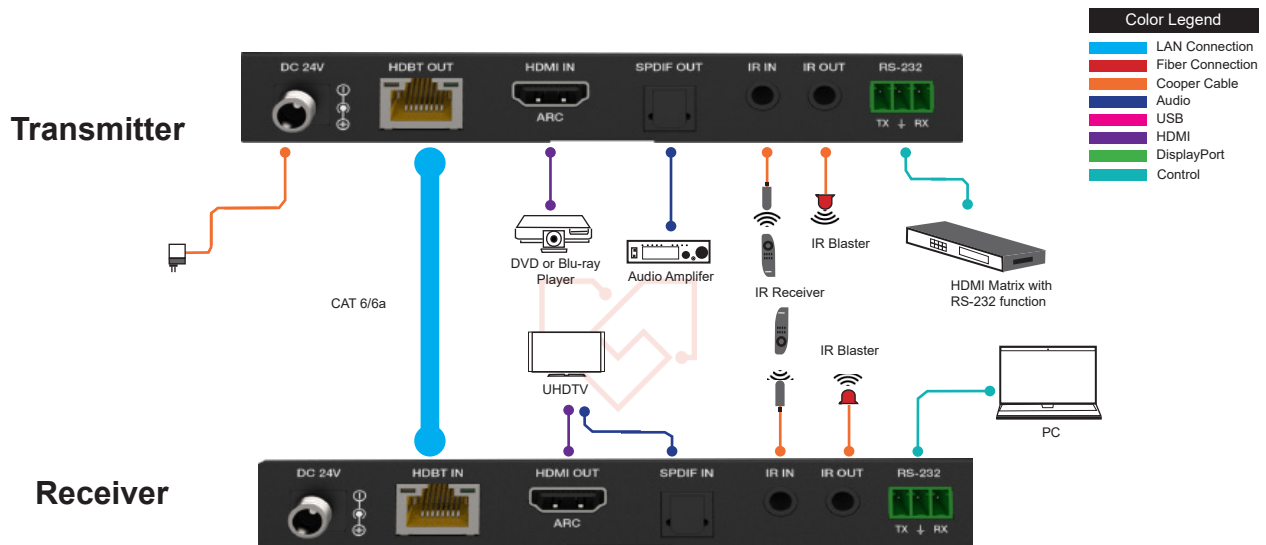
CONNECTIONS

Transmitter	Input: 1×HDMI IN [TypeA, 19-pin female] Output: 1×HDBT OUT [RJ45] 1×SPDIF OUT Control: 1×RS-232 [3pin-3.81mm Phoenix connector] 1×SERVICE [Micro-USB jack] 1×IR IN [3.5mm Stereo Mini-jack] 1×IR OUT [3.5mm Stereo Mini-jack]
-------------	---

CONNECTIONS

Receiver	Input: 1×HDBT IN [RJ45] 1×SPDIF IN Output: 1×HDMI OUT [TypeA, 19-pin female] Control: 1×RS-232 [3pin-3.81mm Phoenix connector] 1×SERVICE [Micro-USB jack] 1×IR IN [3.5mm Stereo Mini-jack] 1×IR OUT [3.5mm Stereo Mini-jack]
----------	---

APPLICATION EXAMPLE



Applications

Digital Signage, Conference Rooms, Operating Rooms and Audio-Video Rooms