



18Gbps CAT extender with TOSLINK, 70m

Extend HDMI HD signal and IR control signal to a distance up to 230ft / 70m via a single CAT6/6a cable, which can achieve zero-delay uncompressed long-distance transmission between the transmitter and receiver.

Video resolution - up to 4K2K@60Hz. Supporting EDID copy pass-through function between the source device and the display device. Supporting POC function.

This Extender can be widely used in multi-media conference halls, TV teaching, and large screen displays.

Featured Highlights

- HDMI2.0b and HDCP 2.2 compliant
- Supports 18Gbps video bandwidth
- Supports video resolution up to 4K2K@60Hz RGB/YCBCR 4:4:4
- The transmission distance can be extended up to 230ft / 70m via a single CAT6/6a cable
- Supports HDR, HDR10, HDR10+, Dolby Vision, HLG
- Supports bi-directional IR control signal pass-through
- Audio formats: LPCM 7.1, Dolby True HD, DTS HD Master
- EDID copy pass-through function between the source device and display device
- Supports ARC and audio de-embedding, audio is output through the optical fiber port of the receiver
- Supports bi-directional POC (Power over Cable) function
- Compact design for easy and flexible installation

SPECIFICATIONS

HDMI Compliance	HDMI 2.0b
HDCP Compliance	HDCP 2.2
Video Bandwidth	18Gbps
Video Resolution	Up to 4K2K@60Hz RGB/YCBCR 4:4:4
IR Level	5Vp-p
IR Frequency	Wideband 20K-60KHz
Transmission	4K2K@60Hz 4:4:4--70m, 1080P--70m (CAT6/6a cable)
Distance	RGB 4:4:4, YCbCr 4:4:4, YCbCr 4:2:2, YCbCr 4:2:0
Color Space	8/10/12bit
Color Depth	HDR, HDR10, HDR10+, Dolby Vision, HLG
HDR	Human body model — ±8kV (Air-gap discharge) & ±4kV (Contact discharge)
Audio Formats	HDMI: LPCM 7.1CH, Dolby True HD, DTS-HD Master Optical: Dolby 5.1, DTS 5.1, PCM 2.0

MECHANICAL

Housing	Metal Enclosure
Color	Black
Dimensions	Transmitter / Receiver: 90mm (W)×68mm (D)×18mm (H)
Weight	Transmitter: 160g, Receiver: 155g
Power Supply	DC 12V/1A; Support bi-directional POC function
Power Consumption	3.36 W (max)
Operating Temperature	0°C ~ 40°C / 32°F ~ 104°F
Storage Temperature	-20°C ~ 60°C / -4°F ~ 140°F
Relative Humidity	20~90% RH (non-condensing)

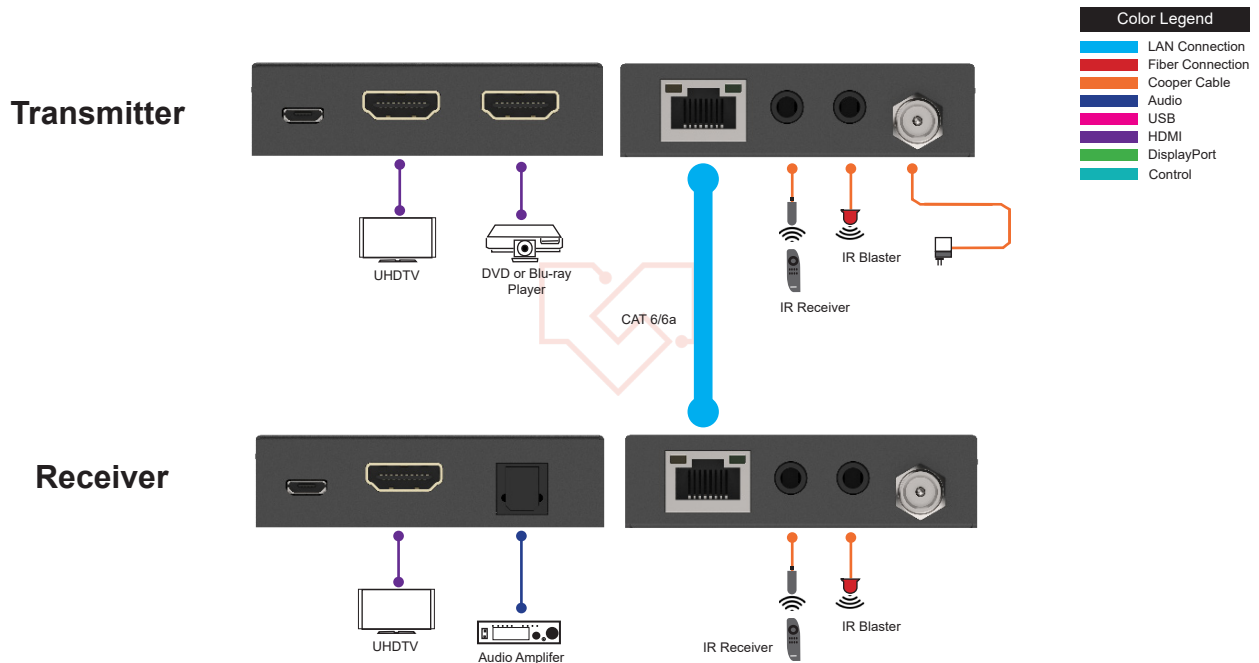
CONNECTIONS

Transmitter	Input: 1×HDMI IN [TypeA, 19-pin female] Output: 1×HDMI OUT [RJ45] 1×CAT OUT [RJ45] Control: 1×SERVICE [Micro-USB jack] 1×IR IN [3.5mm Stereo Mini-jack] 1×IR OUT [3.5mm Stereo Mini-jack]
-------------	--

CONNECTIONS

Receiver	Input: 1×CAT IN [RJ45] Output: 1×HDMI OUT [TypeA, 19-pin female] 1×TOSLINK Control: 1×SERVICE [Micro-USB jack] 1×IR IN [3.5mm Stereo Mini-jack] 1×IR OUT [3.5mm Stereo Mini-jack]
----------	--

APPLICATION EXAMPLE



Applications

Digital Signage, Conference Rooms, Operating Rooms and Audio-Video Rooms