

Front side

18G, 2x1 HDMI/mini-DP Wall Plate w/Auto-Switching, POC

The wall plate is a 2x1 switcher and CAT transmitter with HDMI and DP inputs. It features a US one-gang enclosure for Decora-style wall plate openings with interchangeable black and white wall plates and face-plates. Support video resolution up to 4K/UHD@60Hz 4:4:4. CAT6 output can extend video transmission distance up to 164ft / 50m. The product is remotely powered by the receiver or other CAT-equipped devices via POC.

Featured Highlights

- Compliant with HDMI 2.0b, HDCP 2.2, and Display Port 1.2a
- Supports 18Gbps video bandwidth
- Video resolution up to 4K/UHD@60Hz 4:4:4
- CAT6 output can extend video transmission distance up to 164ft / 50m for 4K@24 or 115ft / 35m for 4K@60 444 via a single CAT5e/6 cable
- Supports 3D and HDR format video, does not support CEC control
- HDMI audio formats support LPCM, Dolby Digital/Plus/EX, Dolby True HD, DTS, DTS-EX, DTS-96/24, DTS High Res, DTS-HD Master Audio, DSD
- Supports HDMI and MDP input
- US one-gang enclosure for Decora-style wall plate openings
- Input signal selection supports automatic mode and manual mode
- Supports POC function (only from Receiver to Transmitter)
- Available in white or black coating

TECHNICAL

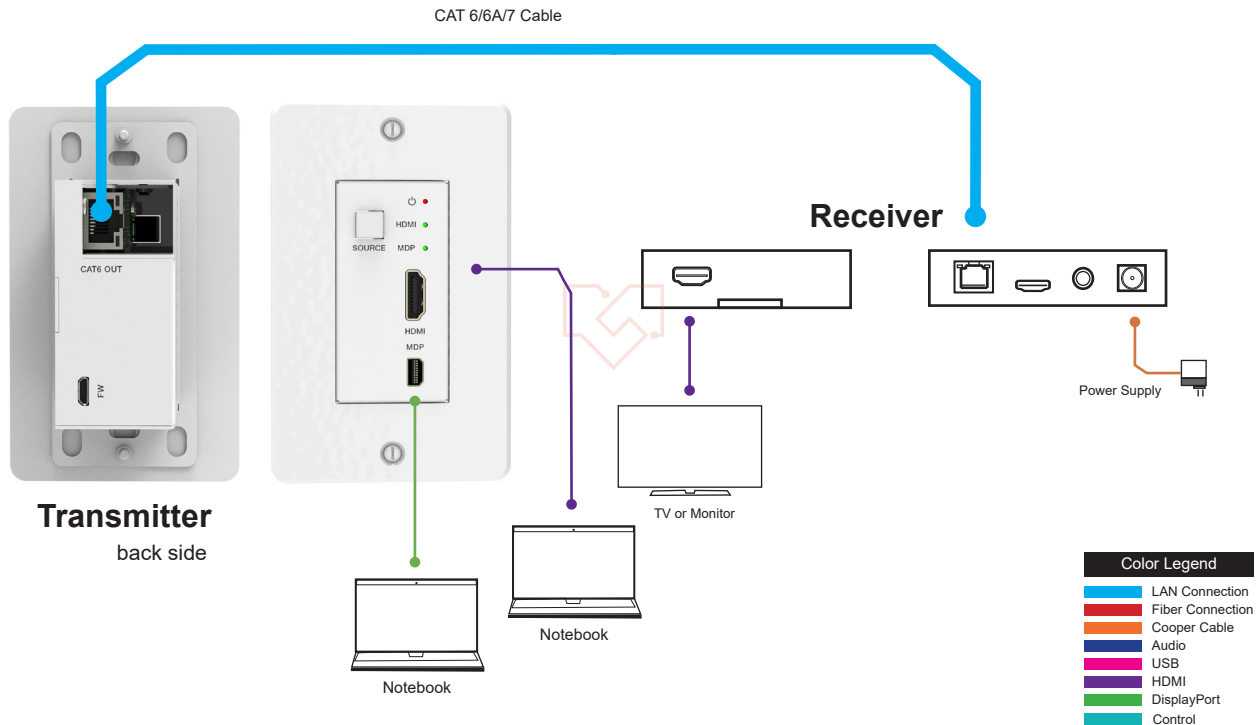
HDMI Compliance	HDMI 2.0b
HDCP Compliance	HDCP 2.2
DP Compliance	Display Port 1.2a
Video Bandwidth	DP: 5.4 Gbps
	HDMI: 18 Gbps
Video Resolution	480i~1080p50/60Hz, 4Kx2K@24/30Hz, 4k2k@60Hz
Color Space	RGB, YCbCr 4:4:4 / 4:2:2, YUV 4:2:0
Color Depth	8/10/12-bit (1080P@60Hz) 8-bit (4K@60Hz)
HDR	Support
HDMI Audio Formats	LPCM, Dolby Digital/Plus/EX, Dolby True HD, DTS, DTS-EX, DTS-96/24, DTS High Res, DTS-HD Master Audio, DSD
Transmission Distance	Max distance (4K@24) : 164ft / 50m over CAT5e/6 Max distance (4K@60) : 115ft / 35m over CAT5e/6
ESD Protection	Human body model — ±8kV (Air-gap discharge) & ±4kV (Contact discharge)

CONNECTIONS

Transmitter	Inputs: 1 x HDMI Type A [19-pin female] 1 x mini DP [20-pin female] Output: 1 x CAT6 OUT [RJ45, 8-pin female] Control: 1 x FW [Micro USB, Update port]
Receiver	Input: 1x CAT IN [RJ45, 8-pin female] Output: 1x HDMI OUT [Type A, 19-pin female] Controls: 1x IR IN [3.5mm Stereo Mini-jack] 1x SERVICE [Micro USB, Update port]

MECHANICAL

Housing	Metal Enclosure
Color	White / Black
Dimensions	Wall plate: 33.3mm [W] x 65.7mm [D] x 68.7mm [H] Faceplate: 69.9mm [W] x 3mm [D] x 114.3mm [H] Receiver: 88mm (W) x 61mm (D) x 18mm (H)
Weight	Wall plate: 175g, Receiver: 155g
Power Supply	POC (only from Receiver to Transmitter)
Power Consumption	Wall plate: 2.2W (Max), Receiver: 3.72W (Max)
Operating Temperature	32 - 104°F / 0 - 40°C
Storage Temperature	-4 - 140°F / -20 - 60°C
Relative Humidity	20 - 90% RH (Non-Condensation)

APPLICATION EXAMPLE

Applications

Digital Signage, Conference Rooms, Operating Rooms and Audio-Video Rooms