

Electrical Specifications

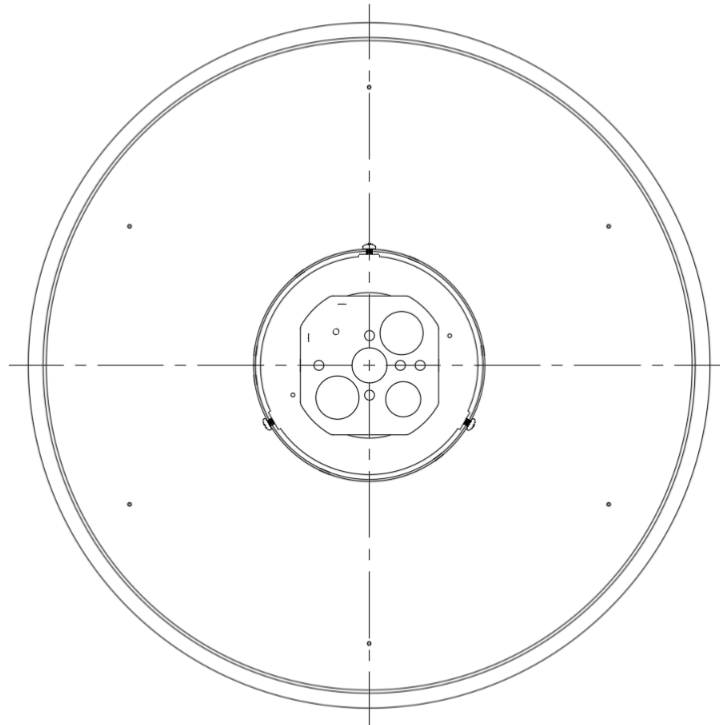
Model	Lumen output	Power Consumption	Input voltage
Holo 18	1670	24W	120 VAC
Holo 22	1920	28W	120 VAC
Yarro 24	2170	32W	120 VAC

Dimming: Phase dimmable

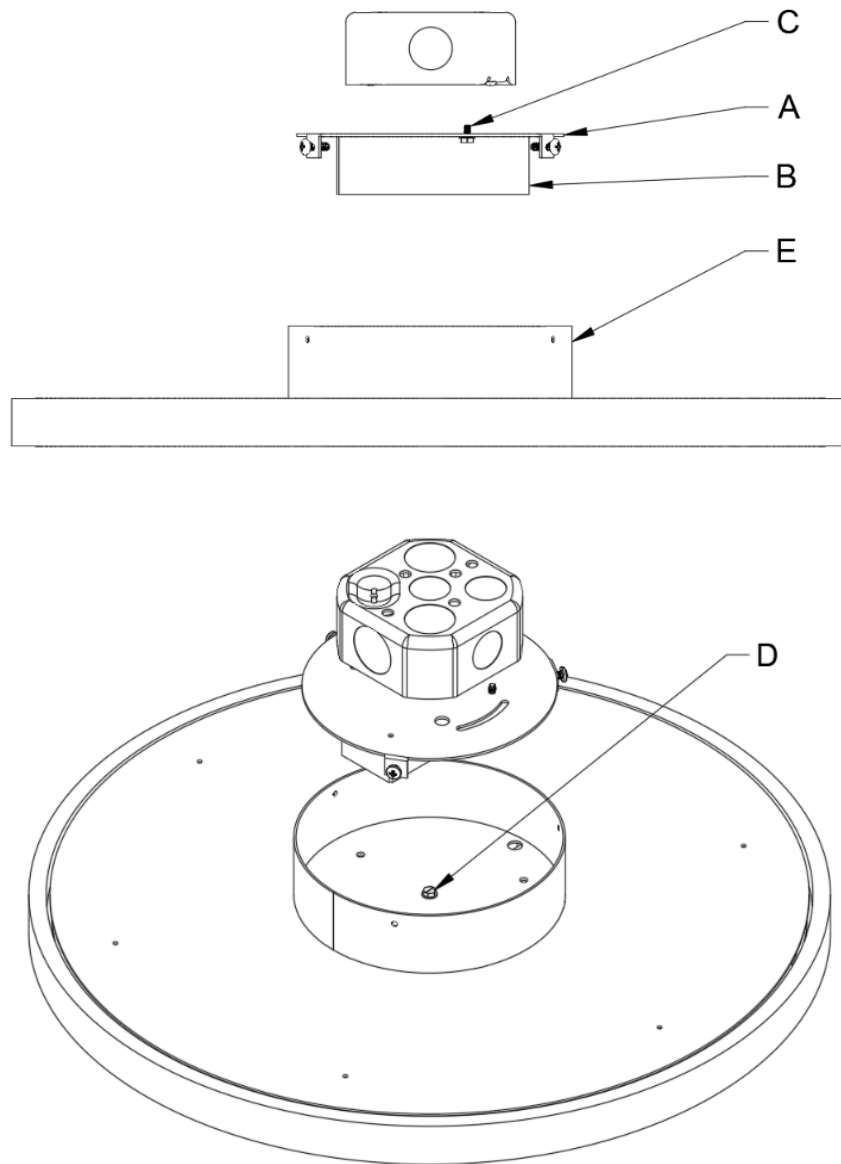
Lamp type: Integrated LED (replaceable)

Rough-in Requirements - All models

This fixture requires a 4in round box (octagon). Centering is exact to the electrical box as shown below.



Installation - All models



1. Connect live and neutral wires from driver (B) that pass through bracket (A) to corresponding wires in electrical box
2. Fasten bracket (A) to electrical box
3. Connect ground wire from ground screw (D) to ground screw (C)
4. Connect both pairs of positive and negative wires from fixture (E) to corresponding wires from driver (B)
5. Slide fixture (E) over screws on bracket (F) and tighten until fixture does not move freely