

Electrical Specifications

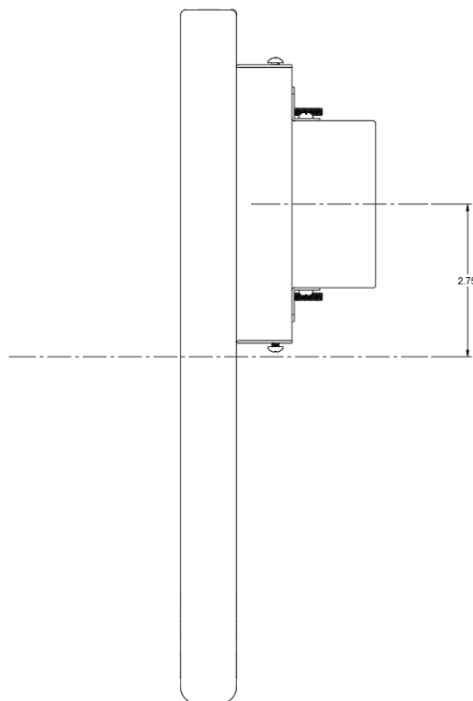
Model	Lumen output	Power Consumption	Input voltage
Ovi 12	808	11W	120 VAC
Ovi 18	1176	16W	120 VAC

Dimming: Phase dimmable

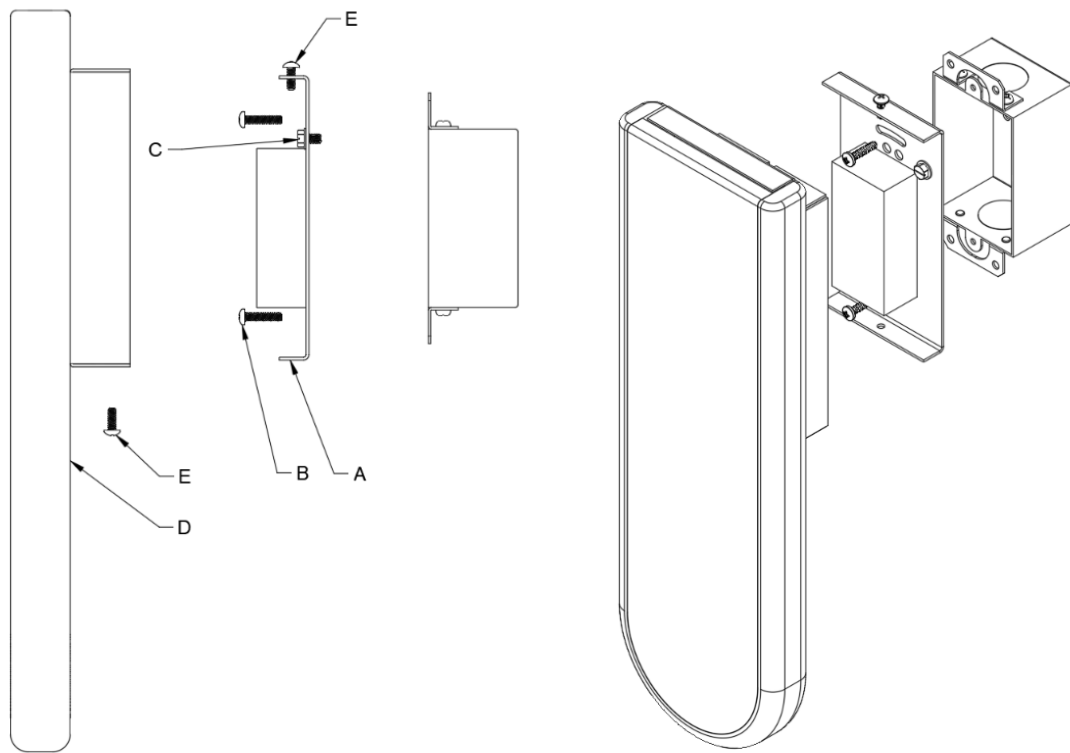
Lamp type: Integrated LED (replaceable)

Rough-in Requirements - Ovi 12

Ovi 12 installs directly to a 2x3in receptacle box. Avoid use of utility style boxes, as the extra width can expose rough edges of the finish wall behind the fixture. Vertically, the center of the fixture is offset from the electrical box by 2.75in. Horizontally, centering is exact to the electrical box.



Installation - Ovi 12



1. Connect white and black wires from driver mounted to bracket (A) to supply wires
2. Fasten bracket (A) to electrical box with screws (B)
3. Connect ground wire from fixture (D) to grounding screw (C)
4. Connect blue wire from driver to black wire from fixture (D) and red wire from driver to red wire on fixture.
5. Slide fixture (D) on to bracket (A) and secure with screws (E)