

### Electrical Specifications

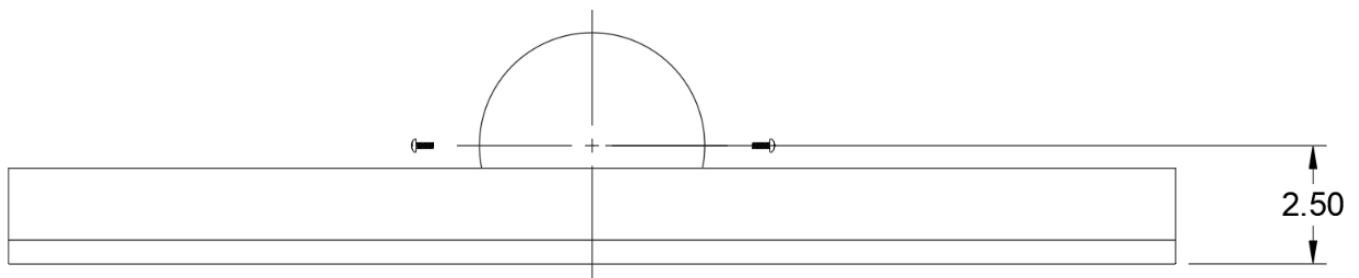
Model	Lumen output	Power Consumption	Input voltage
Soap 24	735	10W	120 VAC
Soap 30	918	12.5W	120 VAC
Soap 36	1103	15W	120 VAC

Dimming: Phase dimmable

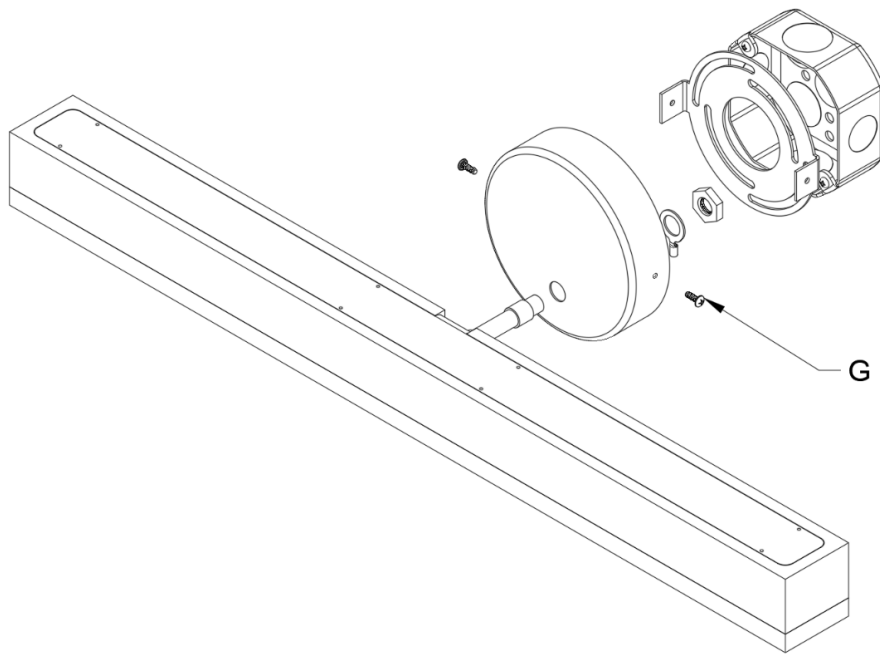
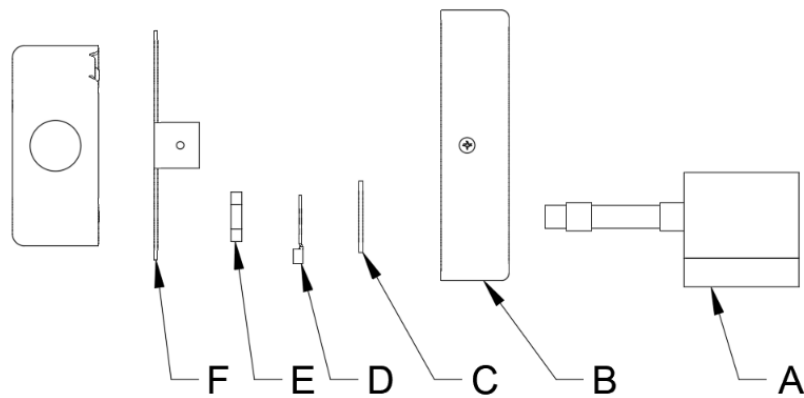
Lamp type: Integrated LED (replaceable)

### Rough-in Requirements - All models

Soap wall mount attaches directly to a 4in round electrical box (octagon). Vertically, the bottom of the fixture is offset from the electrical box by 2.5in. Horizontally, centering is exact to the electrical box.



## Installation - All models



1. Pass wire from fixture (A) through canopy (B) and align hole
2. Place washer (C) followed by ground ring terminal (D) over threaded stub from fixture (A) and secure with locknut (E) whilst ensuring correct orientation of canopy (B). Note: avoid use of tools on pipe from fixture (A) to minimize damage to finish.
3. Install bracket (F) to electrical box
4. Connect blue wire from driver to black wire from fixture (A) and red wire from driver to red wire on fixture.
5. Connect ground wire from ground ring (D) to grounding screw on bracket (F)
6. Slide canopy (B) on to bracket (F) and secure with screws (G)