

### Electrical Specifications

Model	Lumen output	Power Consumption	Input voltage
Yarro 52 xx	1470	20W	100-277 VAC
Yarro 64 xx	1838	25W	100-277 VAC
Yarro 76 xx	2205	30W	100-277 VAC

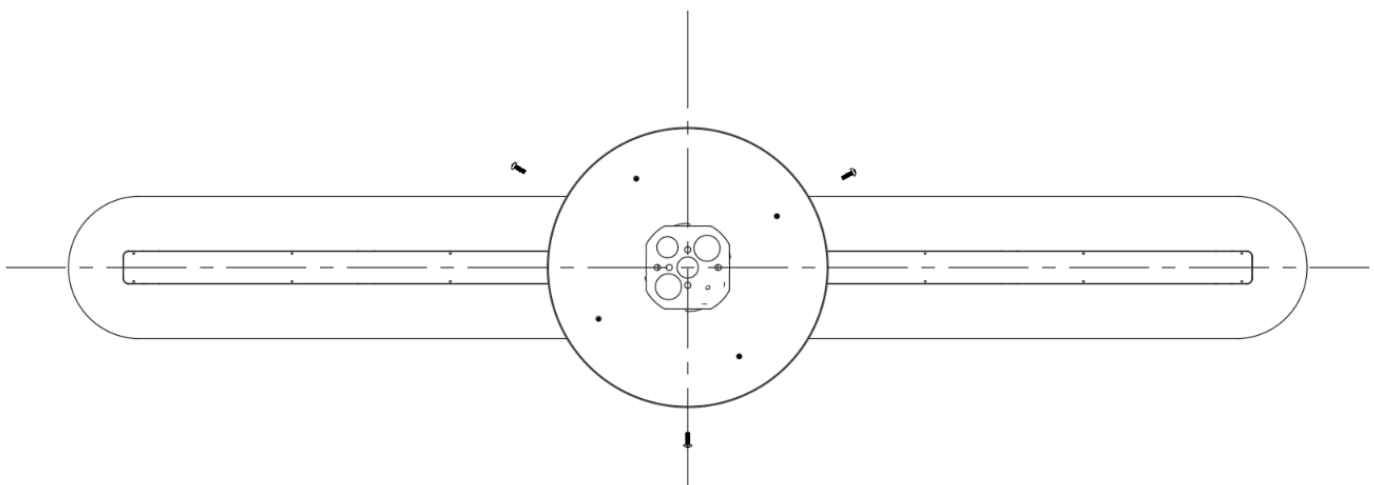
Dimming: Phase dimmable

Lamp type: Integrated LED (replaceable)

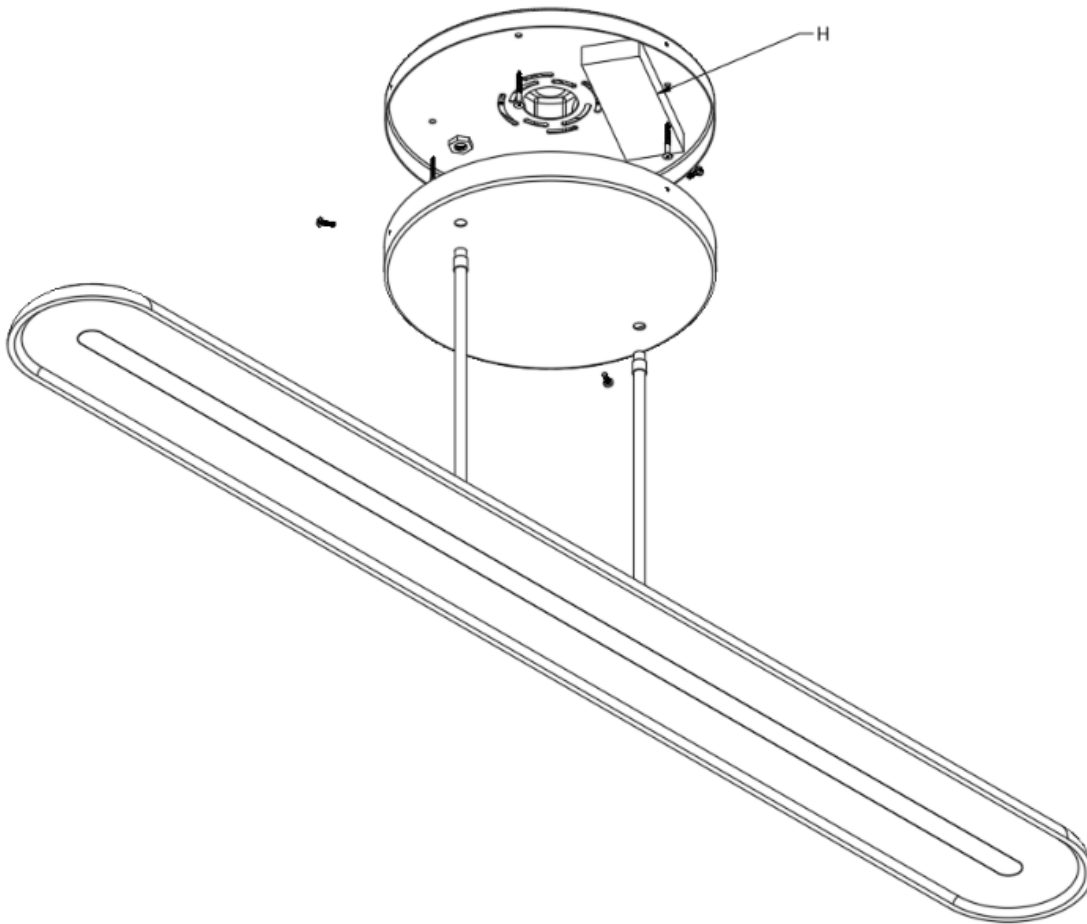
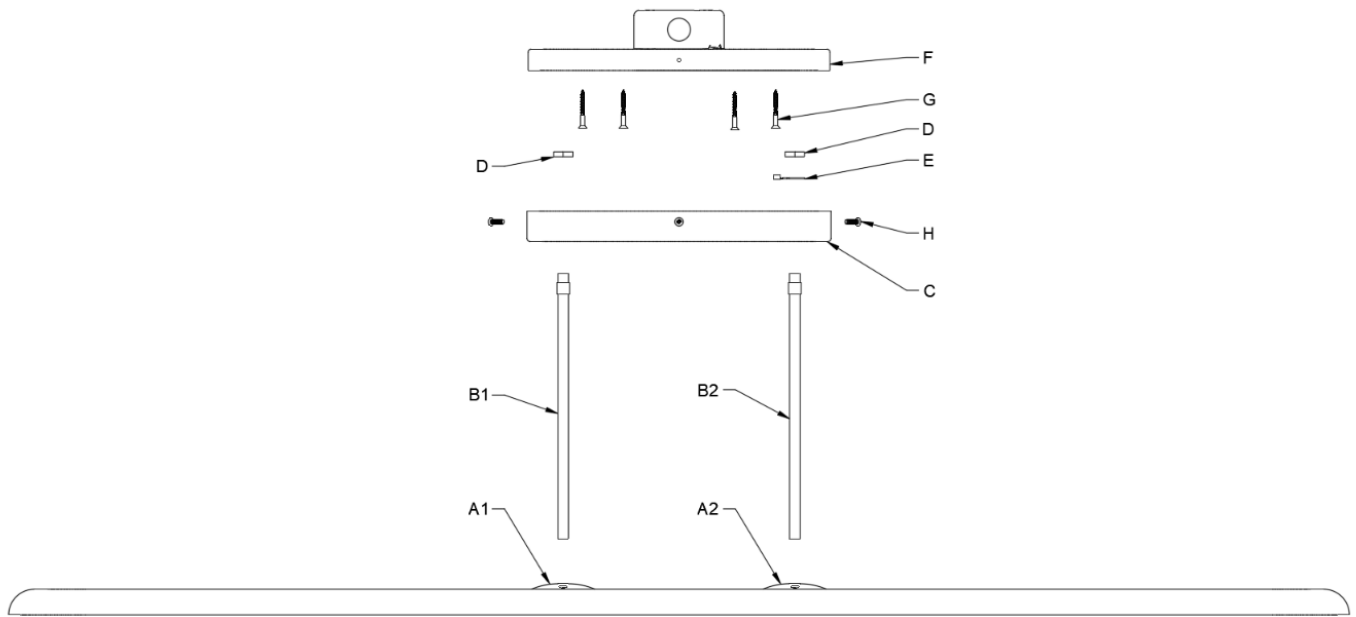
\*240V available on request

### Rough-in Requirements - All models

This fixture requires a 4in ceiling box. The center of the electrical box is the center of the fixture as shown below.



# Installation - All models



1. Insert wire from connector (A1) through pipe (B1) and then thread pipe (B1) onto connector (A1).  
Note: hand tighten only to minimize damage to finish.
2. Repeat process for second pipe (B2) and connector (A2) without the need to feed wires.
3. Pass wire from pipe (B2) through hole in canopy (C) and align holes on canopy (C) to pipes (B1) and (B2). Secure pipe (B1) with lock nut (D). Place ground ring terminal (E) over end of pipe (B2) protruding through canopy (C) then secure with locknut (D)
4. Place bracket (F) into install position and mark the 4 fastener locations. Drill 0.5in hole at marked fastener locations and install toggle bolts. Note: It is the responsibility of the installer to ensure the installation substrate is adequate for the weight of the installation.
5. Secure bracket (F) to install location using screws (G)
6. Connect supply wire to wires from load side of driver (G)
7. Connect ground wire (E) to ground from supply wire to ground screw on bracket (F)
8. Connect wires from light source to wires on load side of driver (G)
9. Slide canopy (C) over bracket (F) and align screw holes. Secure with screws (H)