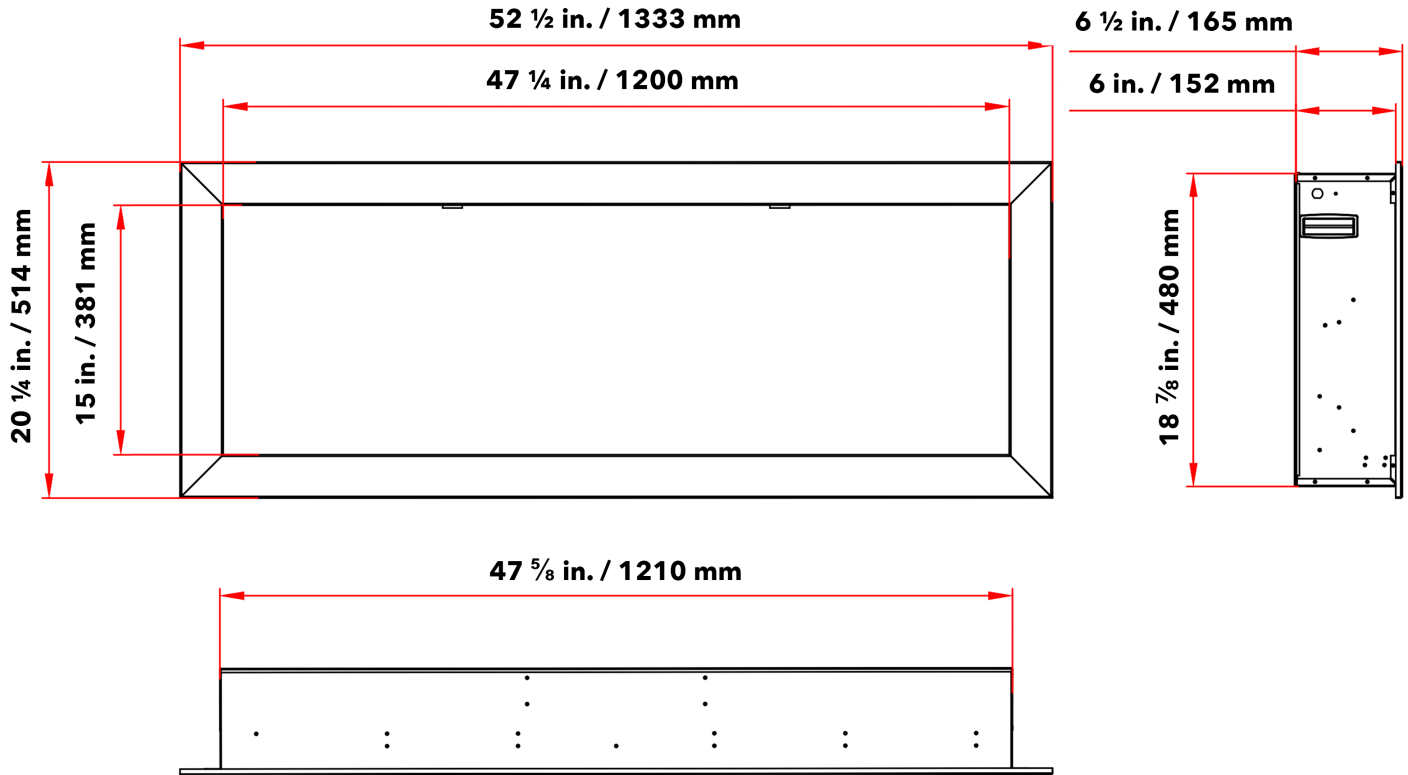


Cascade 52" Electric Fireplace

Specifications Sheet



Model	Length	Height	Depth	Viewing Area	BTU	Cord Length
DY-BTX52	1333 mm	514 mm	165 mm	1200 mm x 381 mm	5000	1829 mm
	52 ½ in.	20 ¼ in.	6 ½ in.	47 ¼ in. x 15 in.		72 in.



Electrical Specifications

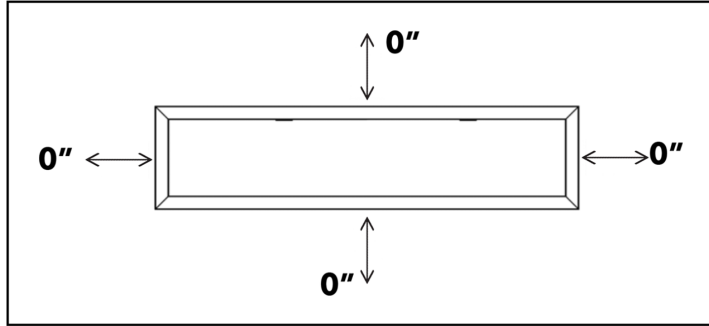
Circuit	Max Power Consumption	Lighting Only	Standby	Outlet	Certification
15A, 120V / 60Hz	1500 W	32 W	1.5 W	Standard (type B)	CSA

Cascade 52" Electric Fireplace

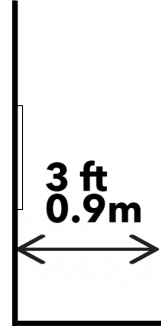
Specifications Sheet



Clearances



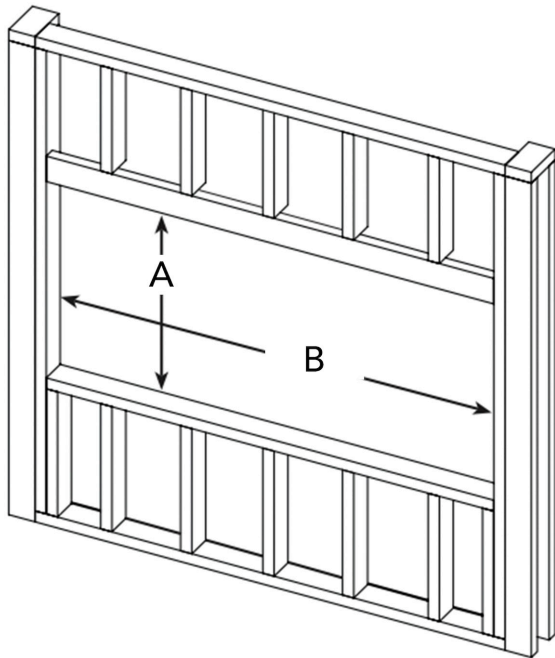
Front View



Side View

Minimum Clearances to Combustibles	
Top	0"
Sides	0"
Back	0"
Bottom	0"
Front	36" / 0.9m

Framing



Framing Dimensions	
A	19 1/2 in.
	495 mm
B	48 3/4 in.
	1238 mm
Depth	6 in.
	153 mm

Product installation must adhere strictly to instructions accompanying product to avoid risk of fire and potential injury



Dynasty Fireplaces, Ltd.
10-3071 No. 5 Road, Richmond, BC V6X 2T4 Canada
+1 877-521-1009 | 604-821-1009 |
support@dynastyfireplaces.com | dynastyfireplaces.com

