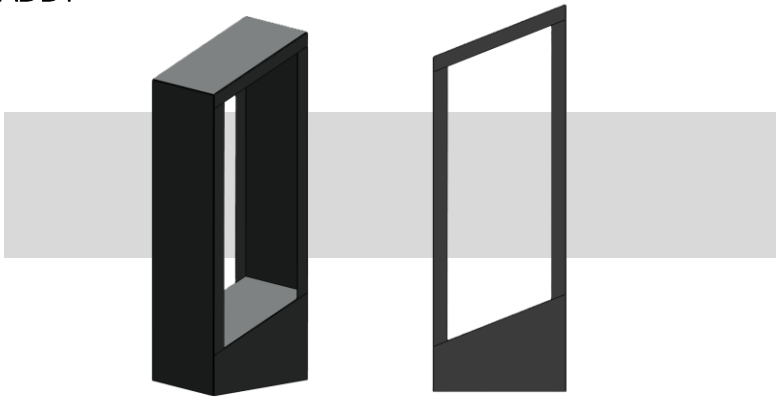


CADDY



Spec's

- Made from 3mm Cor-ten steel.
- Fully welded unit.
- Weight = 28 kg.
- Drain holes included for unwanted water build up.
- Holds timber lengths of up to 306mm before overhang occurs.
- Overall dimensions 306x385x1116mm.

Available Finishes



CORTEN STEEL

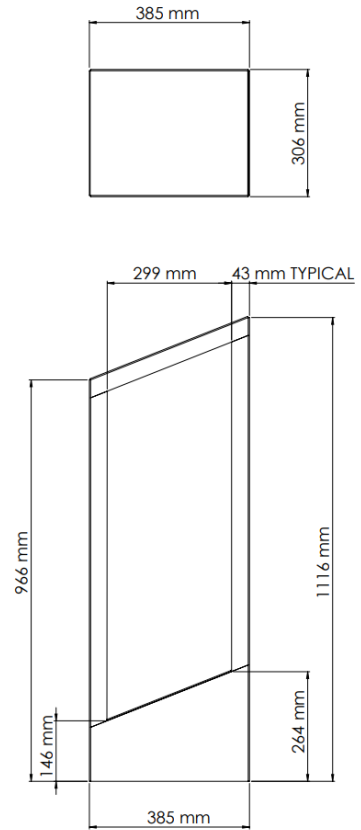
- Also known as weathering steel, rusted Cor-ten steel can last for decades.
- All Cor-ten steel units will arrive to you with a mill finish (un-rusted state).
- A patina will form within the first 6 months that acts as a protective coating.
- Whilst forming its patina within the early months before maturing, be aware that water run off may cause rust stains on neighbouring surfaces.
- To speed up the patina formation, lightly spray with a saltwater solution daily until desired finish is achieved.
- Please refer to our 'Product Care' web page under 'Support' for further information.



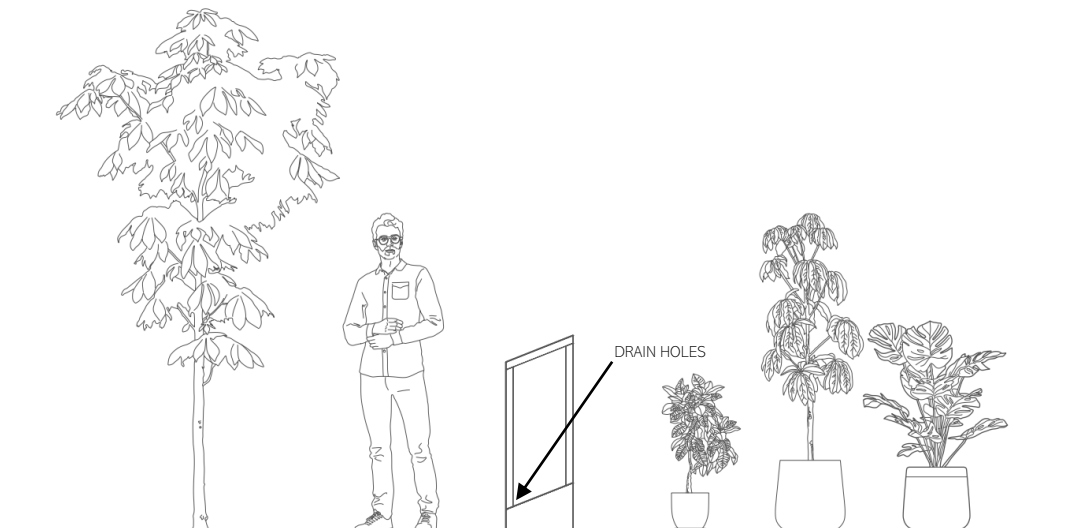
POWDER COAT

- In favourable outdoor environments, powder coating provides a durable, high-quality finish.
- Some of the influencing factors that can affect the longevity of the powder coat include pollution of salts, grime and dirt that can accumulate on surfaces.
- A maintenance plan is recommended to wipe down the timber storage unit surfaces when debris and pollutants appear to be building up. Use warm water and a PH neutral soap for bird droppings and other marks.
- Although most powders offer great UV stability, they will fade with sun over time. Please contact your local powder coater for a freshen up or simply colour change as well as converting back to a raw Corten steel finish.
- For custom powder colours, please browse those on offer from Dulux, Jotun & Interpon and get in touch with us to arrange this service.
- Please refer to our 'Product Care' web page under 'Support' for further information.

Dimensions



Key Features



- A solid and stable construction that acts as a complementary piece to your outdoor setup.
- Base support contains drain holes to prevent pooling water.
- Offers a clean and tidy solution when storing timber to accompany all outdoor firepit features.