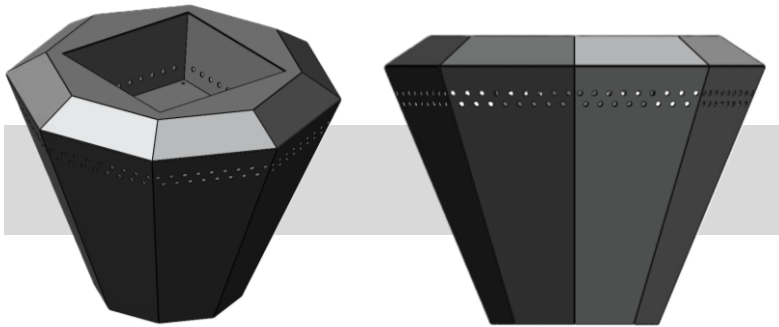


HAVEN



Spec's

- Made from 3mm Cor-ten steel.
- Fully welded unit.
- Weight = 66kg.
- Drops minimal ash due to side wall ventilation holes of internal liner.
- Corner drain holes within internal liner for unwanted water build up, although please use a firepit cover or suitable alternative to prevent constant water exposure.
- Overall dimensions 995x995x750mm.

Available Finishes



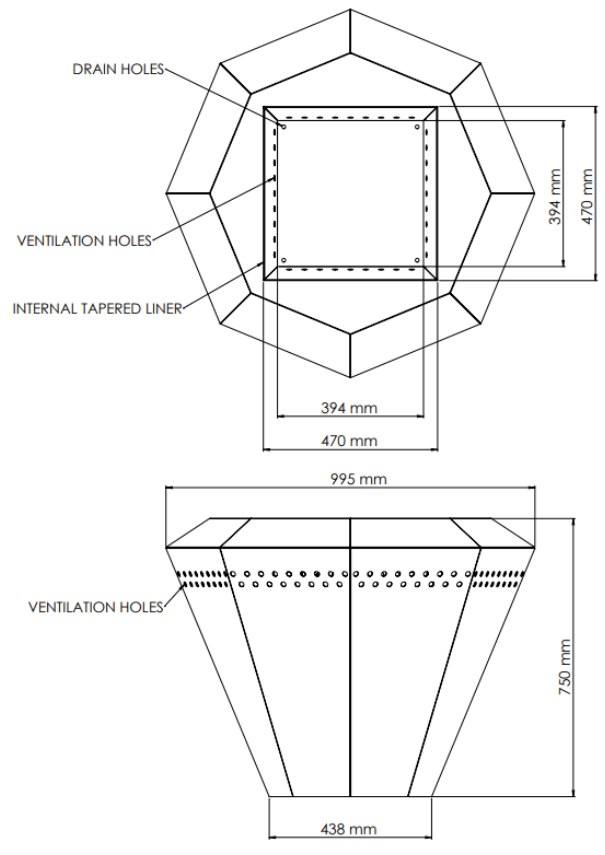
- Also known as weathering steel, rusted Cor-ten steel can last for decades.
- All Cor-ten steel firepits will arrive to you with a mill finish (un-rusted state).
- A patina will form within the first 6 months that acts as a protective coating.
- Whilst forming its patina within the early months before maturing, be aware that water run off may cause rust stains on neighbouring surfaces.
- To speed up the patina formation, lightly spray with a saltwater solution daily until desired finish is achieved. Do not let water pool within the internal liner whilst achieving this patina.
- Once an appropriate patina has formed, it is best to protect the firepits internal liner with a cover to prevent pooling water from the outdoor environment.
- Please refer to our 'Product Care' web page under 'Support' for further information.

HIGH HEAT POWDER COAT

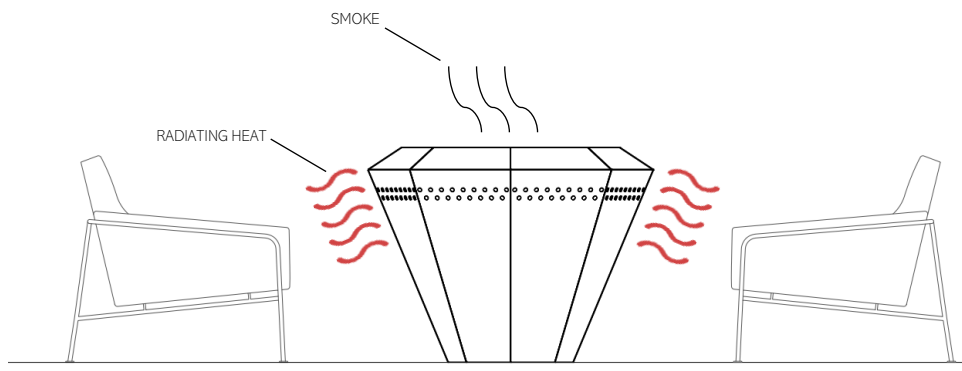
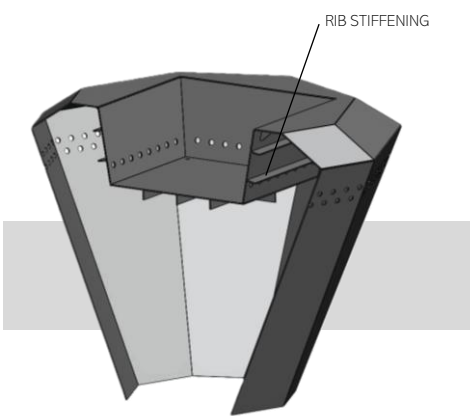
Black	Titanium	Silver
-------	----------	--------

- In favourable outdoor environments, high heat powder coating provides a durable, high-quality finish that can withstand peak temperatures of 650 degrees.
- Some of the influencing factors that can affect the longevity of the powder coat include pollution of salts, grime and dirt that can accumulate on surfaces.
- A maintenance plan is recommended to wipe down the fire pit surfaces when debris and pollutants appear to be building up. When surface is cool to touch, use warm water and a PH neutral soap for bird droppings and other marks.
- Please note the internal liner will also be powder coated. Since the base of the liner will be exposed to direct flame and coals, the paint will wear with time. This will expose the raw Cor-ten steel but further corrosion will halt. The remainder of the firepit however will keep its finish for years to come.
- Investing in a fire pit cover will prolong the paints rich colour and prevent uneven internal liner corrosion from potential pooling water.
- Please refer to our 'Product Care' web page under 'Support' for further information.

Dimensions



Key Features



- Unlike conventional firepits, the internal liner design takes advantage of rib stiffening used to prevent distortion due to heat, as seen above in the cross-sectional view.
- The height of the firepit was strategically positioned to allow the user to get closer to the outer shell for warmth, without smoke and direct heat being blown up into their face.