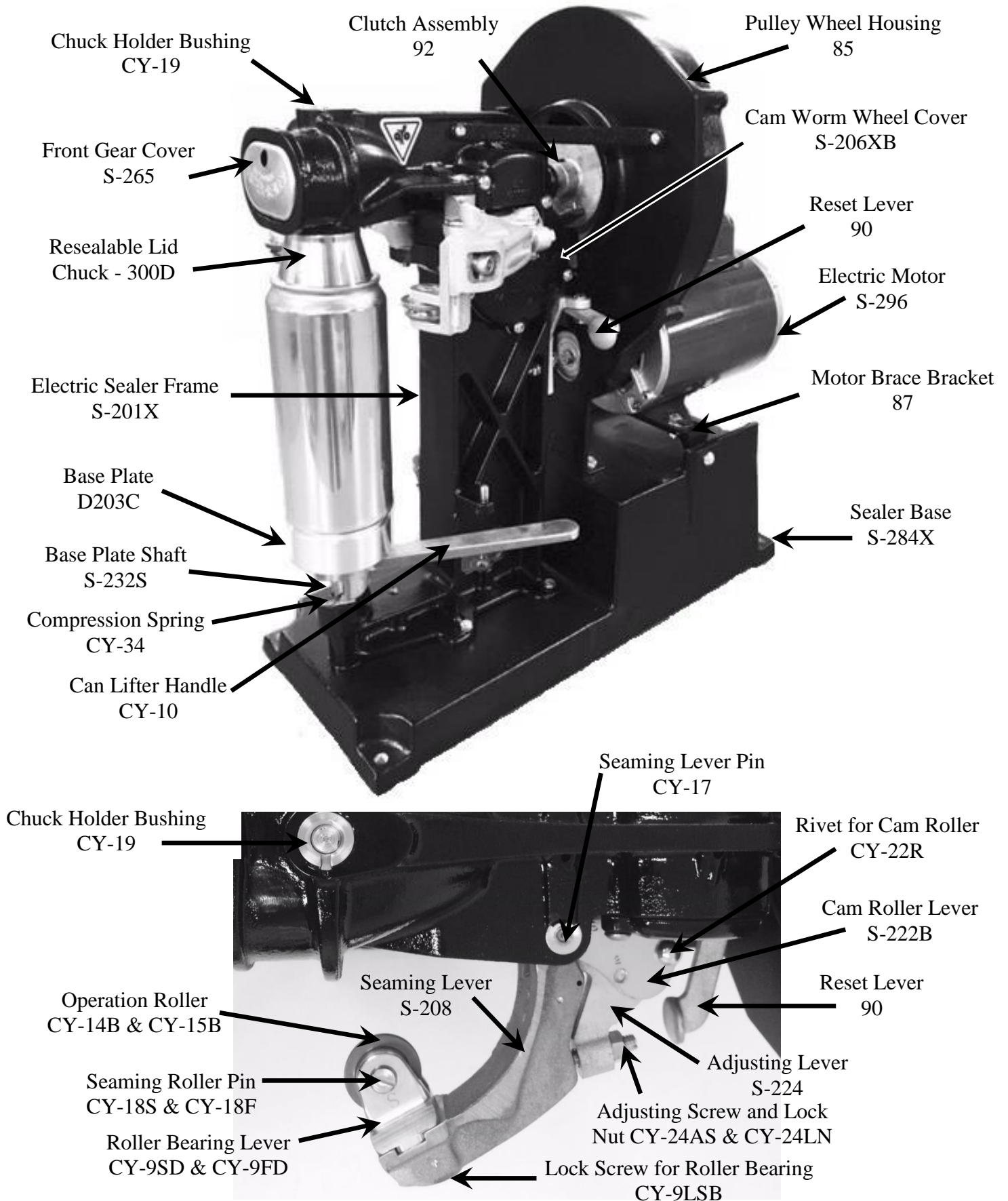
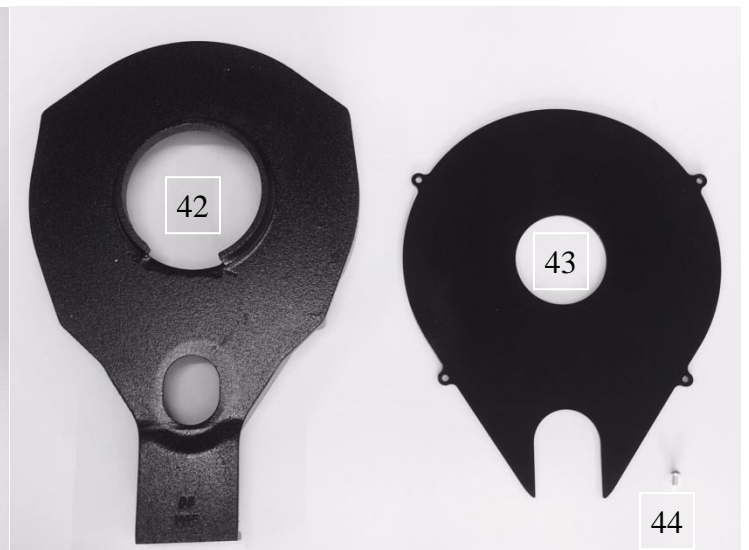
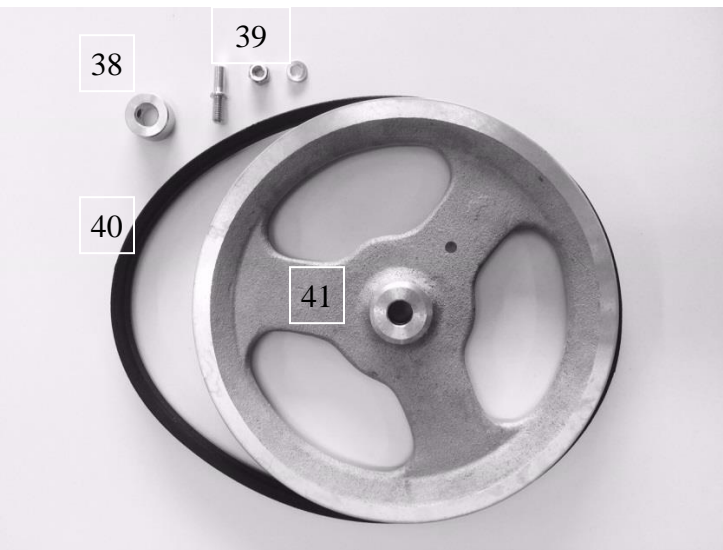
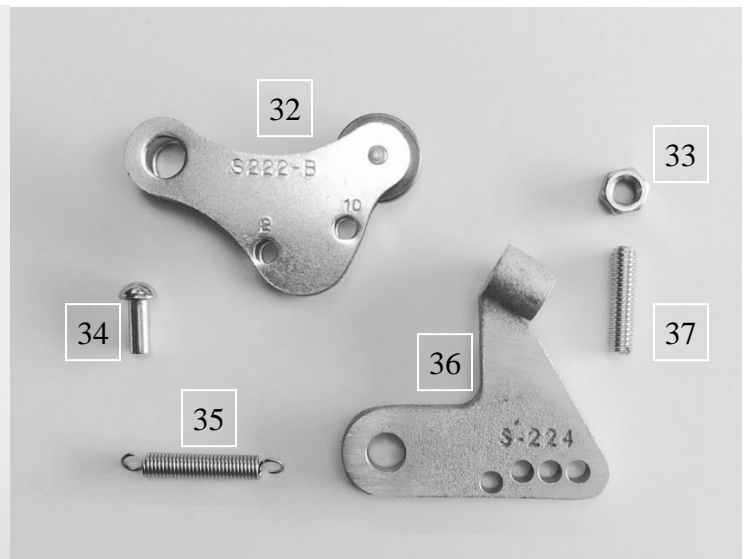
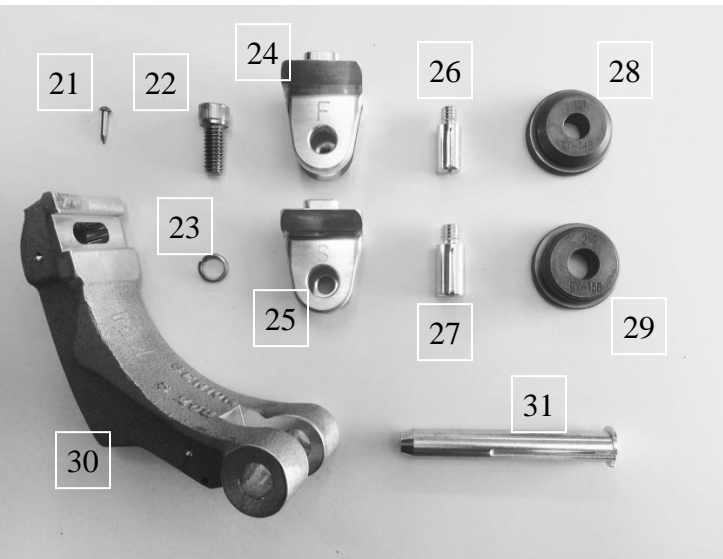
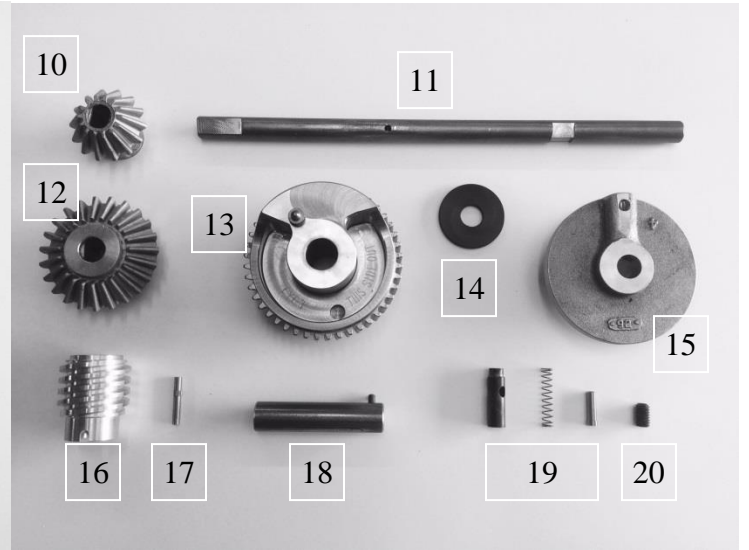
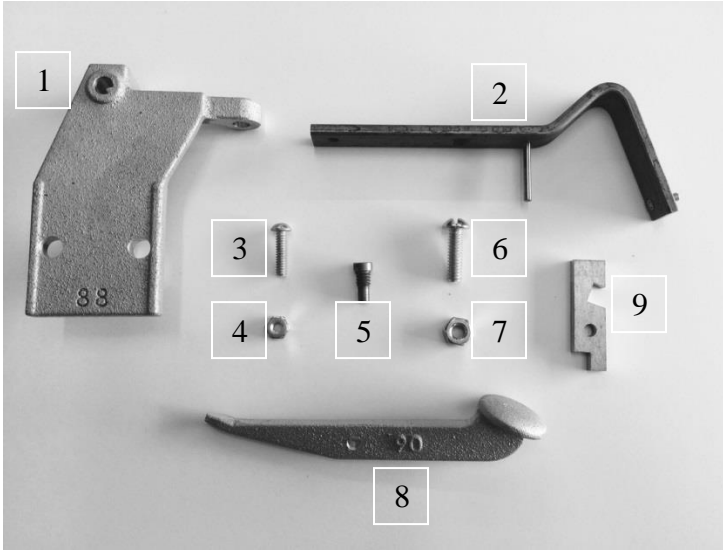


PARTS DIAGRAM



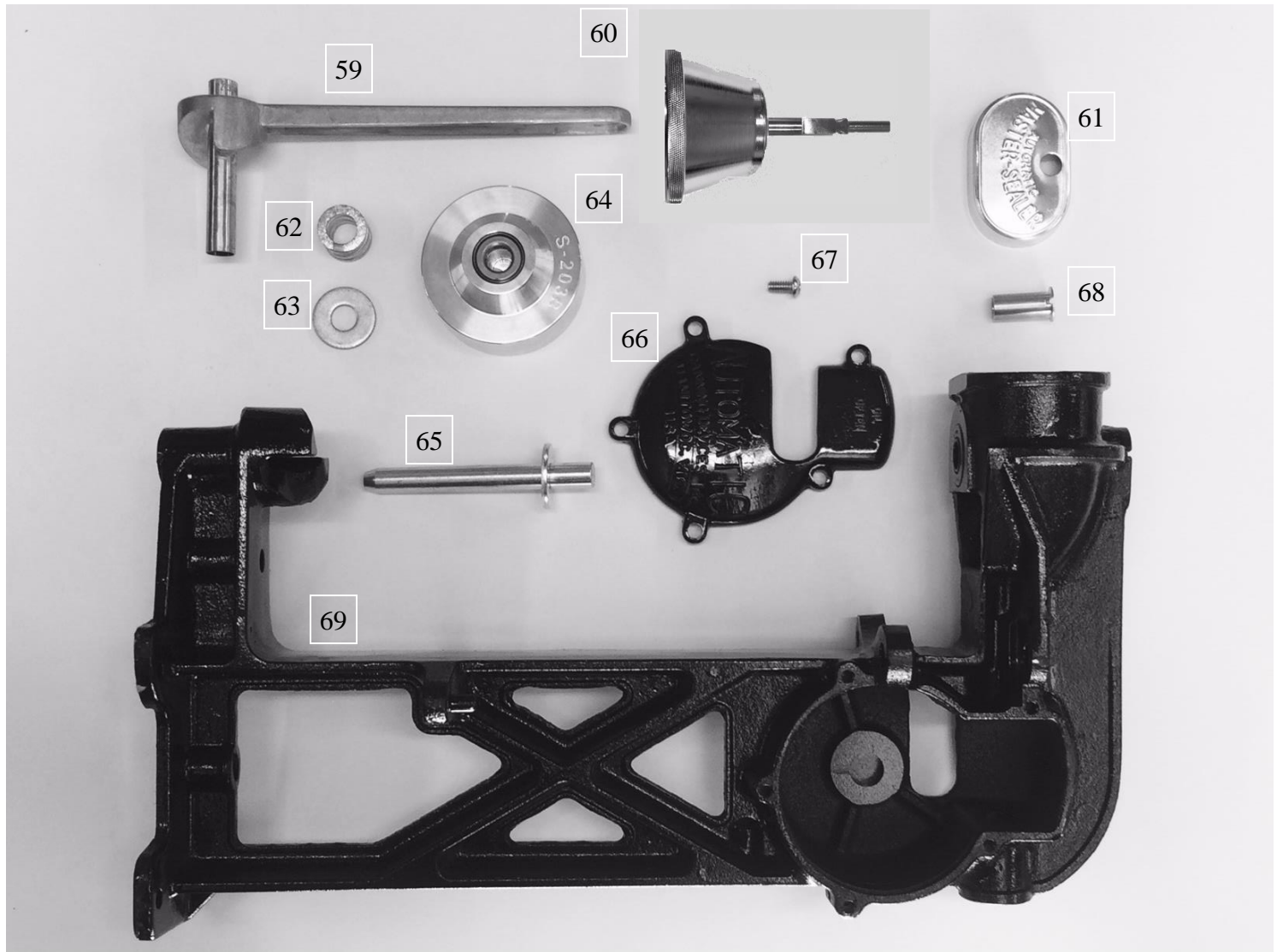
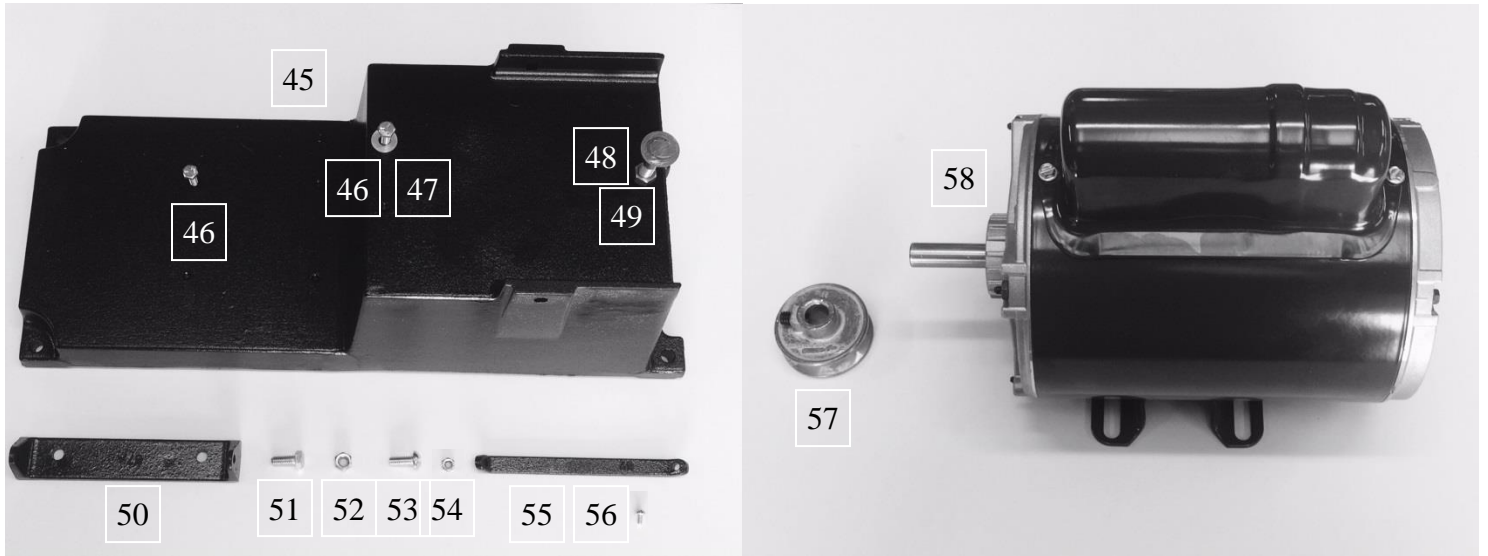
PARTS PICTURE LIST



PARTS LIST

<u>PICTURE NUMBER</u>	<u>PART NUMBER</u>	<u>DESCRIPTION</u>
1	88	Bracket for Clutch Lever
2	94	Clutch Knockout
3	94S	Clutch Knockout Screw
4	94N	Clutch Knockout Nut
5	95LLP	Lever Latch Pin
6	90S	Reset Lever Screw
7	90N	Reset Lever Nut
8	90	Reset Lever
9	95	Lever Latch
10	S-205	Bevel Pinion Gear
11	S-225X	Worm Shaft
12	S-204	Bevel Gear w/ Ball Lock
13	S-206XB	Cam Worm Wheel for Beer Sealer
14	CY-25W	Worm Shaft Fiber Washer
15	92	Clutch Assembly, Complete
16	CY-7	Worm Gear
17	CY-25D	Pin for Worm Shaft
18	CY-26	Worm Wheel Shaft
19	98	Pins & Spring Set Only for Clutch Assembly
20	S-255S	Flywheel Set Screw
21	CY-1E	Escutcheon Pin
22	CY-9LSB	Lock Screw for Roller Bearing for Beer Sealer
23	CY-9LWB	Lock Washer for Lock Screw for Beer Sealer
24	CY-9FD	Roller Bearing Lever – First
25	CY-9SD	Roller Bearing Lever – Second
26	CY-18F	Seaming Roller Pin – First
27	CY-18S	Seaming Roller Pin – Second
28	CY-14B	First Operation Roll for Beer Sealer
29	CY-15B	Second Operation Roll for Beer Sealer
30	S-208	Seaming Lever – First or Second
31	CY-17	Seaming Lever Pin
32	S-222B	Cam Roller Lever for Beer Sealer– Complete
33	CY-24LN	Lock Nut for Adjusting Screw
34	CY-22R	Rivet for Cam Roller & Adjusting Levers
35	CY-35	Seaming Lever Spring
36	S-224	One (1) Adjusting Lever for 1 st or 2 nd
37	CY-24AS	Adjusting Screw for Adjusting Levers
38	ES526C1	Shaft Collar
39	99	Set of Pin, Nut & Washer for Pulley Wheel
40	97V	V Belt
41	93	Pulley Wheel <i>(May need to order part #99 also)</i>
42	85	Pulley Housing
43	86	Pulley Housing Cover
44	79	Cover Screw

PARTS PICTURE LIST



PARTS LIST

<u>PICTURE NUMBER</u>	<u>PART NUMBER</u>	<u>DESCRIPTION</u>
45	S-284X	Senior Electric Base
46	670040	¼" x 20 x ¾" Hex Bolt
47	670035	Washer for Pulley Housing
48	84S	Tension Bolt
49	84N	Lock Nut
50	87A	Motor Brace Bracket
51	87B	Bolt for Motor Bracket
52	CY-24LN	Lock Nut for 87B
53	89LS	10-24 x 7/8" 89 Connector
54	89N	Nut for 89 Connector
55	89	Guard Brace
56	79	Guard Brace Screw
57	97P5	5/8"x 2" Pulley
58	S-296-2-6	Electric Motor, Specify for 240V
59	CY-10	Can Lifter Handle
60	300D	Resealable Lid Chuck
61	S-265	Front Gear Cover
62	CY-34	Base Plate Compression Spring
63	1/8" HW	1/8" Height Washer
64	D203C	Base Plate w/ Ball Bearing
65	S-232S	Base Plate Shaft
66	CY-2	Cam Worm Wheel Cover
67	CY-2S	Cover Plate Screw
68	CY-19	Chuck Holder Bushing (Top)
69	S-201X	Electric Sealer Frame



19 Rancho Circle, Lake Forest, CA., 92630 ~ 949.387.5451 ~ www.gsdraft.com