

# ALL AMERICAN®

OPERATOR'S MANUAL  
CROWLER® CAN SEALER  
MODEL EL-8000B



**GS!**DRAFT  
SYSTEM SOLUTIONS

19 Rancho Circle, Lake Forest, CA., 92630 ~ 949.387.5451 ~ [www.gsdraft.com](http://www.gsdraft.com)

## **Table of Contents**

Page 3	-	Introduction & Getting Started
Page 4	-	Parts Diagram
Page 5	-	Maintenance
Page 6	-	Adjustments & Seam Gauge
Page 7	-	Trouble Shooting
Page 8	-	Parts Picture List
Page 9	-	Parts List
Page 10	-	Parts Picture List (Continued)
Page 11	-	Parts List (Continued)
Page 12	-	Warranty Information

## **INTRODUCTION**

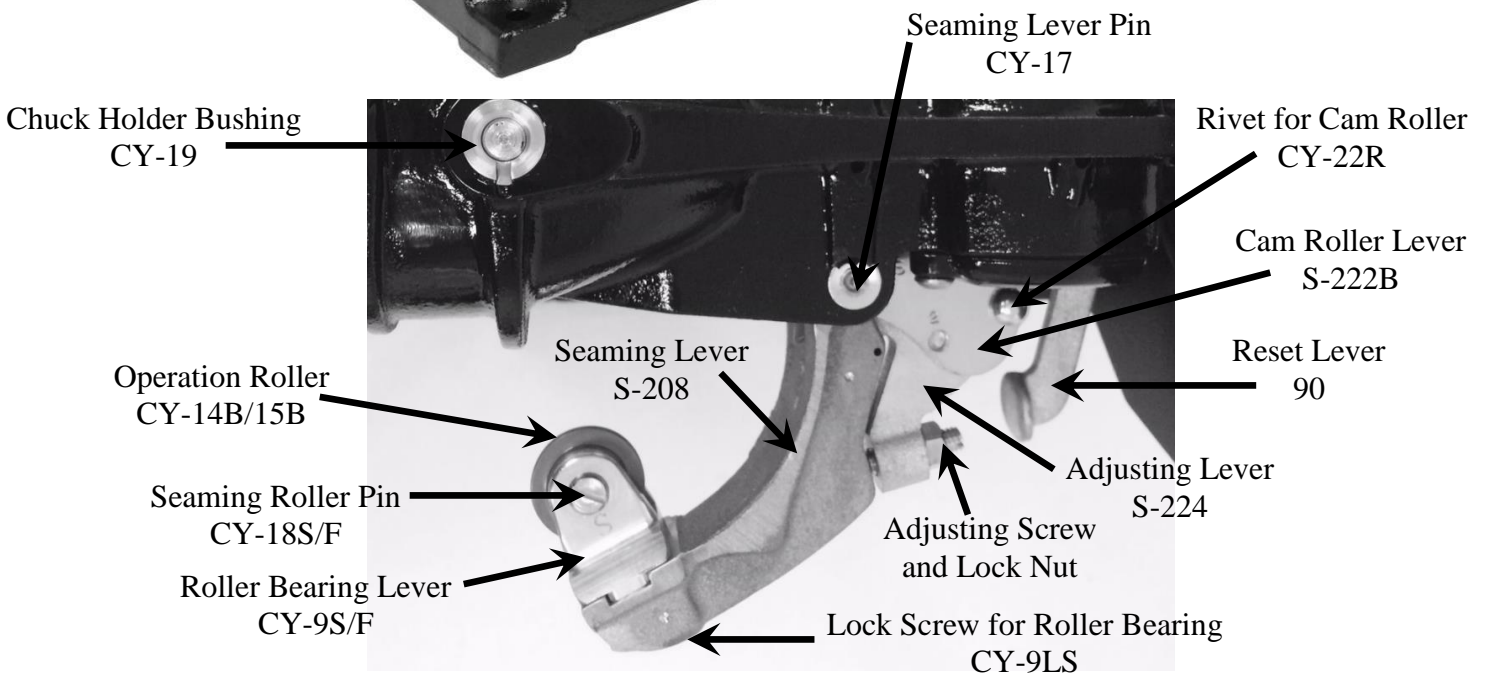
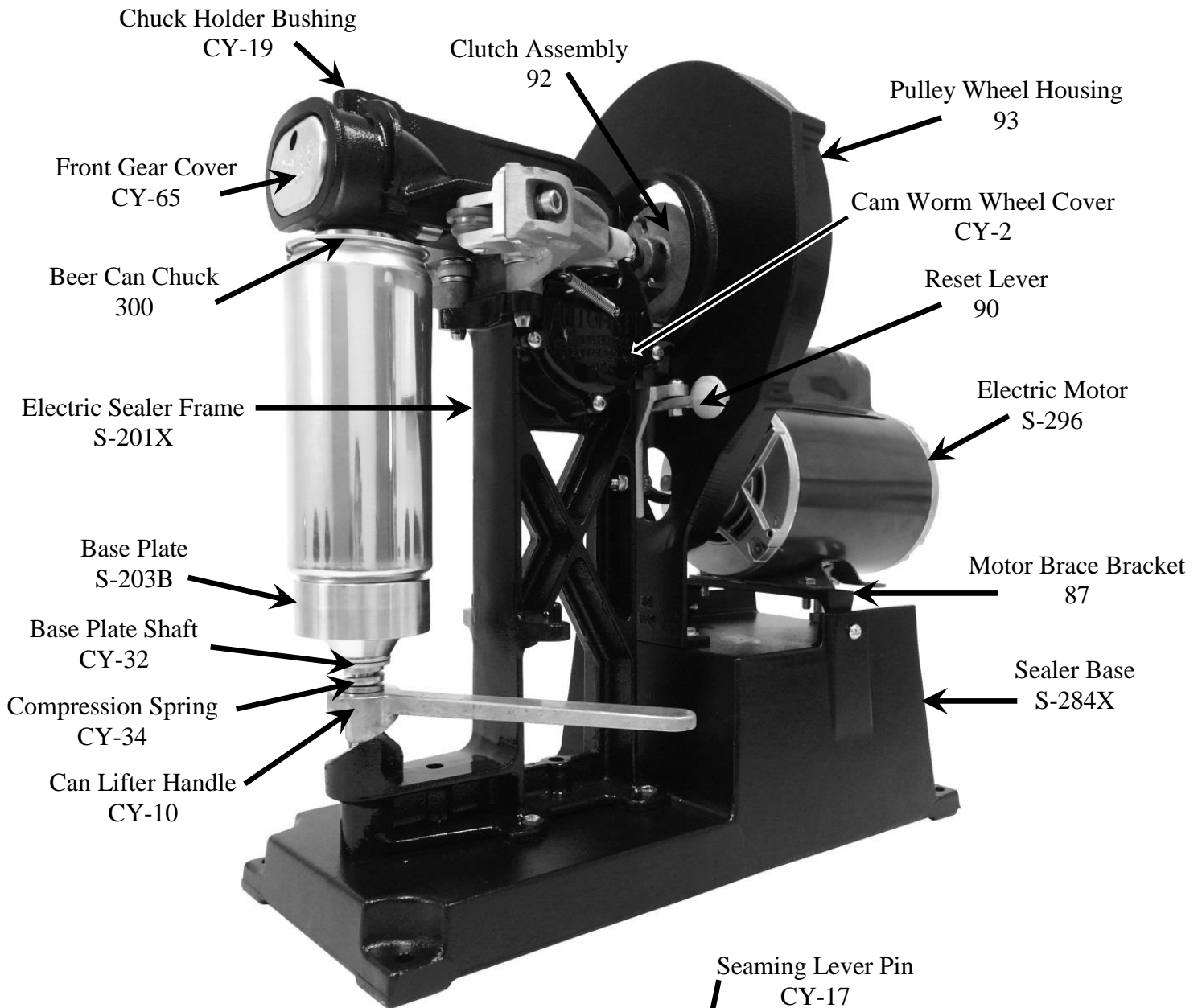
This can sealer was thoroughly inspected and tested at the factory before shipment. Immediately upon receipt, carefully check the can sealer for damage before using it. Do not operate the can sealer if it is damaged; call (920)-682-8627 for further instruction.

The EL-8000B comes with the No. 300 Chuck and the S-203B Base Plate. These are designed and set up to seal a 24oz or 32oz Crowler® can. A sample can was used to set up the machine and was locked in place during shipping to help protect the machine. (Please note the can might look a little dented. This will not happen when you have a full can.) Prior to removing the container, lower and raise the base plate by turning the Can Lifter Handle as far as possible to the left and then back to the right a few times. Pay attention to the amount of pressure you have to apply to the Lifter Handle when locking the can into place. It is good to develop a feel for the amount of base plate pressure required to properly seal a can. Most beer cans have a diameter of 300 (3" diameter) and the No. 300 Chuck will work. Cans with a bigger or smaller diameter will require a different size Chuck and Base Plate. Height adjustment with spacers is necessary before attempting to seal other size cans like the 24oz can.

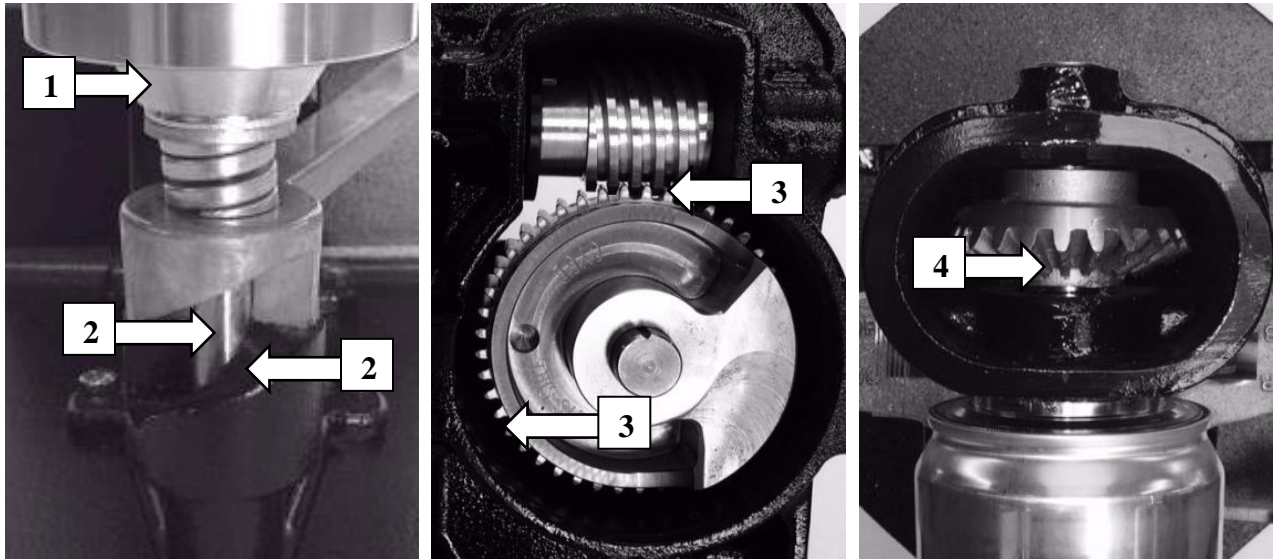
## **GETTING STARTED**

1. The sealer can be firmly attached to a table or bar using the four bolt holes (cast into sealer base) to bolt down the sealer. If that isn't possible, put a bar mat underneath the base of the machine to prevent any vibration. The weight of the machine will keep it in place.
2. Connect plug to proper receptacle, either 120 or 240 volt depending on your machine.
3. For operation, the seaming lever rivets (CY-22R) should be in the number 2 hole of the cam roller arms (S-222B). (They come in the number 10 hole for shipping.)
4. Start the motor by switching the cord's toggle switch to the on position.
5. Lower the Base Plate (S-203B) by turning the Can Lifter Handle (CY-10) as far as possible to the left.
6. Place lid on filled can and set can on Base Plate (S-203B).
7. Raise can until it is clamped firmly between the Base Plate and Chuck (No. 300) by turning Can Lifter Handle (CY-10) as far as possible to the right until handle locks itself against the Frame (S-201). The can is now ready to be sealed.
8. To start operation, push the Reset Lever (No. 90) to the right. The Reset Lever is located on the right side of the frame. The sealer will make one complete cycle and stop.
9. When sealer is stopped, pull can lifter handle toward you and remove can.

## PARTS DIAGRAM



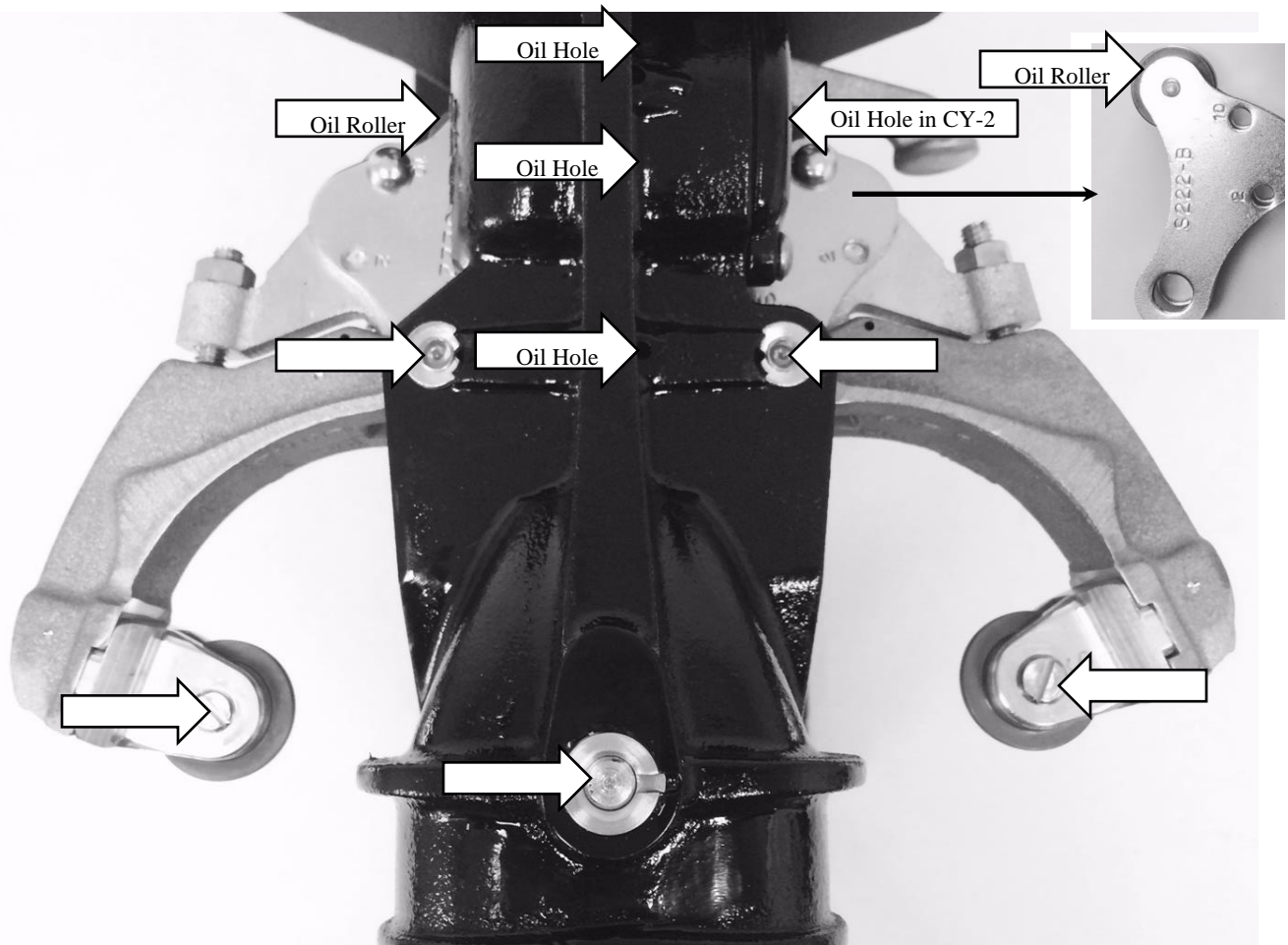
## MAINTENANCE



### Quarterly Maintenance Schedule

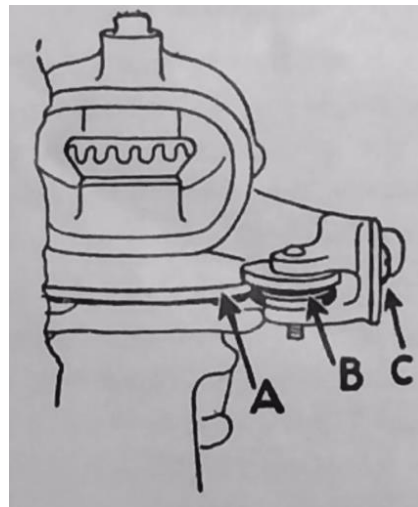
1. Remove Base Plate and oil Ball Bearing on the underside.
2. Remove Can Lifter Handle and oil brass stem; also oil where Handle comes in contact with Frame.
3. Put fibre grease on all of the teeth of the Cam Worm Wheel located behind the Cam Worm Wheel Cover.
4. Put fibre grease on the teeth of the Bevel Gear located behind the Front Gear Cover.

### Daily Maintenance Schedule: Place a few drops of oil at each arrow below.



## ADJUSTMENTS & SEAM GAUGE

Check the adjustment of the Seaming Rolls occasionally. First check the height adjustment as follows: When Chuck (A in sketch) is held up tightly against the Ball Bearing (S-201BB), the underside of the top flange on the Seaming Roll (B in sketch) must fit closely on top of Chuck (A). To make adjustments, push the Cam Roller Lever (S-222B) toward Chuck until Seaming Roll touches the Chuck. Slightly loosen Screw (CY-9LS) which is "C" in sketch, push down on Roller Bearing Lever that contains Seaming Roll (B) until top flange of Seaming Roll (B) rests on top of Chuck (A). Now tighten Screw (CY-9LS) which is "C" in sketch **as tight as possible**.



This adjustment should be made on both 1<sup>st</sup> and 2<sup>nd</sup> Operation Rolls. After height adjustment has been made, use the Seam Gauge which is for checking the seam on 24 or 32oz aluminum beer cans with a 300 diameter only.

Use the seam gauge as follows: Remove the Rivet (CY-22R) on the Second Operation Cam Roller Lever (S-222B). The second operation is on the right side if you are facing the front of the machine. Run an empty can in the machine to seal the First Operation. Remove the can and slip the Gauge over the seam. The groove marked "1<sup>st</sup>" should slide over seam on can. The seam will not fill the entire length of the groove but the Gauge should slip on far enough so that it touches the can cover. If groove in Gauge will not slip over seam, tighten Seaming Roll (CY-14B) by loosening Lock Nut (No. 24N) and turning Adjusting Screw (No. 24AS) not more than a quarter turn to the right. If the groove in Gauge is loose on the seam, turn the Adjusting Screw to the left. Repeat above operation with another empty can until Seam Gauge fits over seam correctly. When first operation seam is correct, change the Rivet (CY-22R) from the First Operation Levers to the Second Operation Levers and adjust the Second Operation Roll in the same manner as the First Operation Roll using the can that has a proper first operation roll seam. The groove in the Seam Gauge marked "2<sup>nd</sup>" is used when adjusting the Second Operation Roll (CY-15B). **Be sure to tighten the Lock Nuts (No. 24N) after adjusting each roller.**

***If it is necessary to operate sealer without a can in place, remove Chuck (No. 300) to prevent damage to it and Seaming Rolls.***



## TROUBLE SHOOTING

### Reasons for Clicking:

1. The No. 92 Clutch Assembly is not riding up on the No. 94 Clutch Knockout far enough.
2. The No. 92 Clutch Assembly is sliding back down the No. 94 Clutch Knockout when the tension on the can is released to remove the can. This will be the case if the can sealer is very free running.
3. Lack of sufficient grease under the chuck, on the gears, and oil on parts where the instruction books shows to oil.
4. Too many height washers on the base plate shaft which results in too much tension on the can lifter handle. This will cause the unit to run tight.

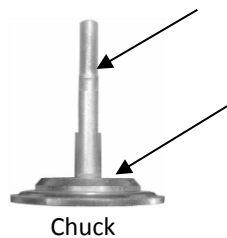
### How to Eliminate Clicking:

#### Reasons #1 and #2 above:

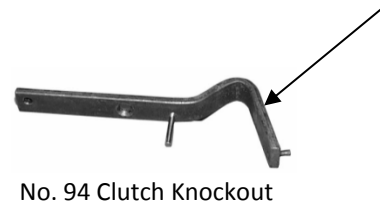
The No. 94 Clutch Knockout is attached to the No. 99 Bracket which is attached to the CY-1X Frame by two bolt, lock washer, and nut assemblies. Loosen both assemblies only; do not remove them. Grasp the No. 90 Reset Lever and decrease the angle of the No. 94 Clutch Knockout by lowering the No. 90 Reset Lever. Always do this in small increments because too low of an angle is not good either.

#### Reason #3 above:

Remove chuck and apply grease as shown below:



Chuck



No. 94 Clutch Knockout

Apply grease to entire shaft of the chuck and also on the whole top of the chuck where the arrow is pointing in the diagram. Apply grease to the clutch knockout where the arrow is pointing in the diagram. Also, grease and oil the unit where shown in the instruction book.

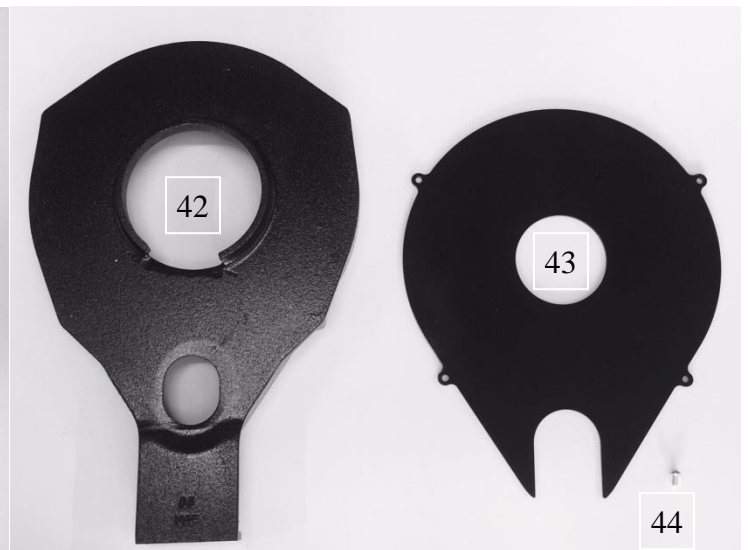
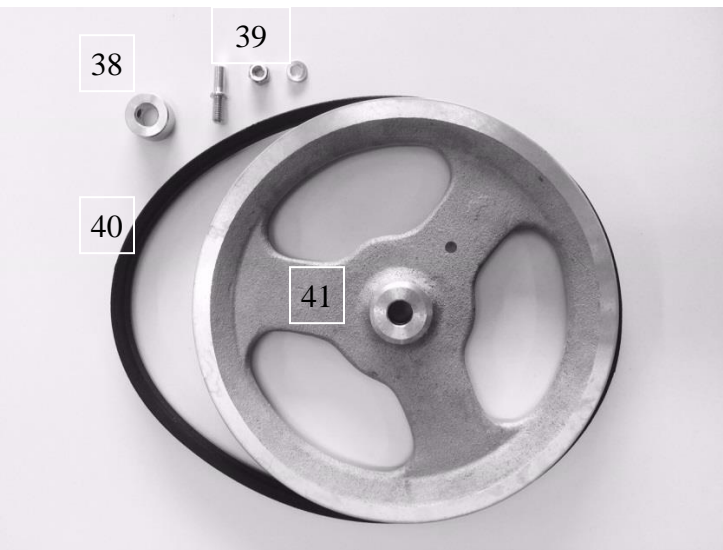
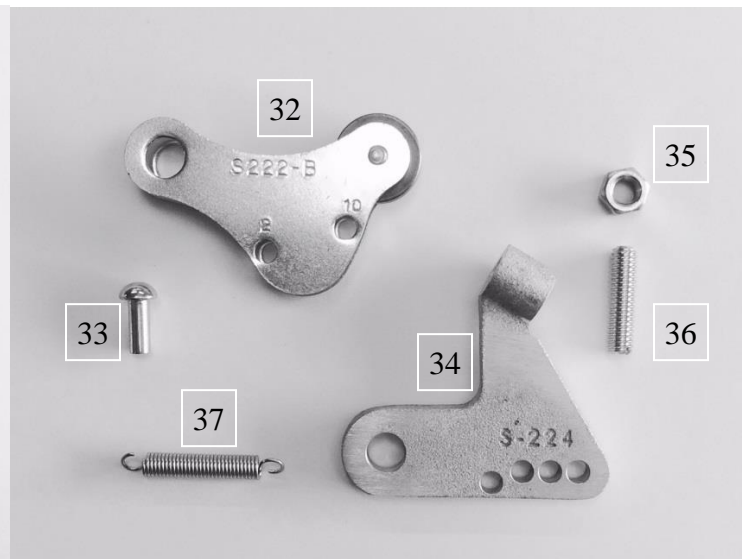
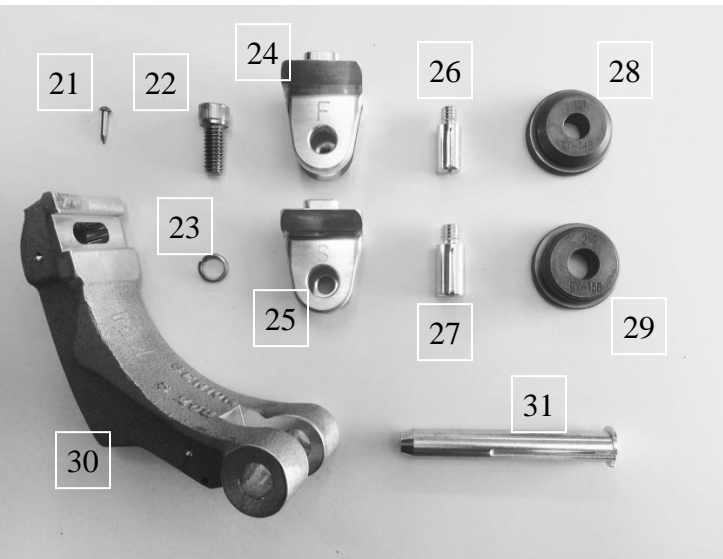
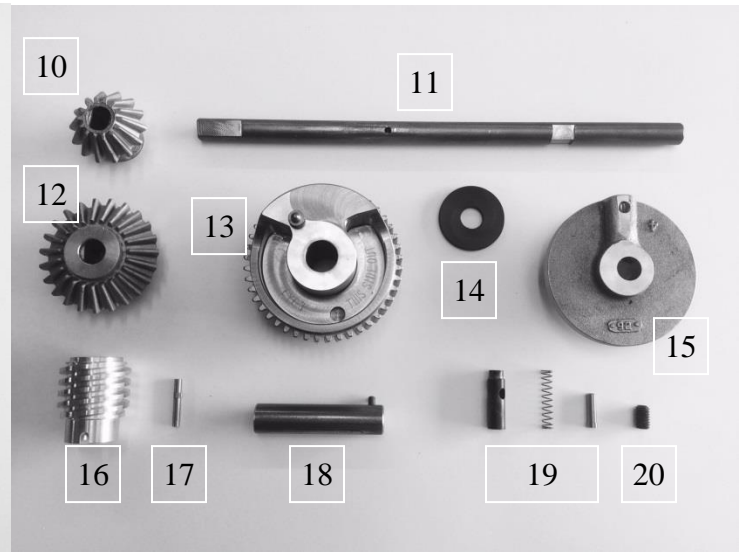
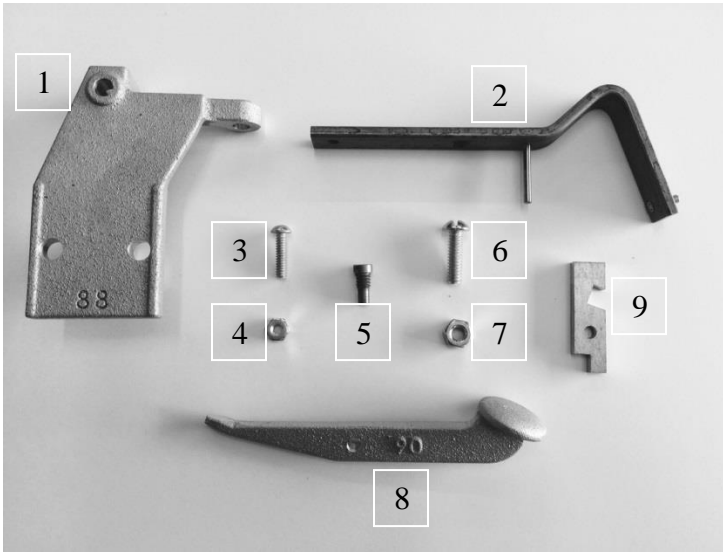
#### Reason #4 above:

Remove 1/16" height washer at a time until you have achieved the proper tension.

### Can isn't spinning properly:

1. Increase belt tension as follows: Loosen lock nut on the tensioning bolt, then turn tensioning bolt to the right to increase tension. After adjustment, tighten the lock nut.

# PARTS PICTURE LIST

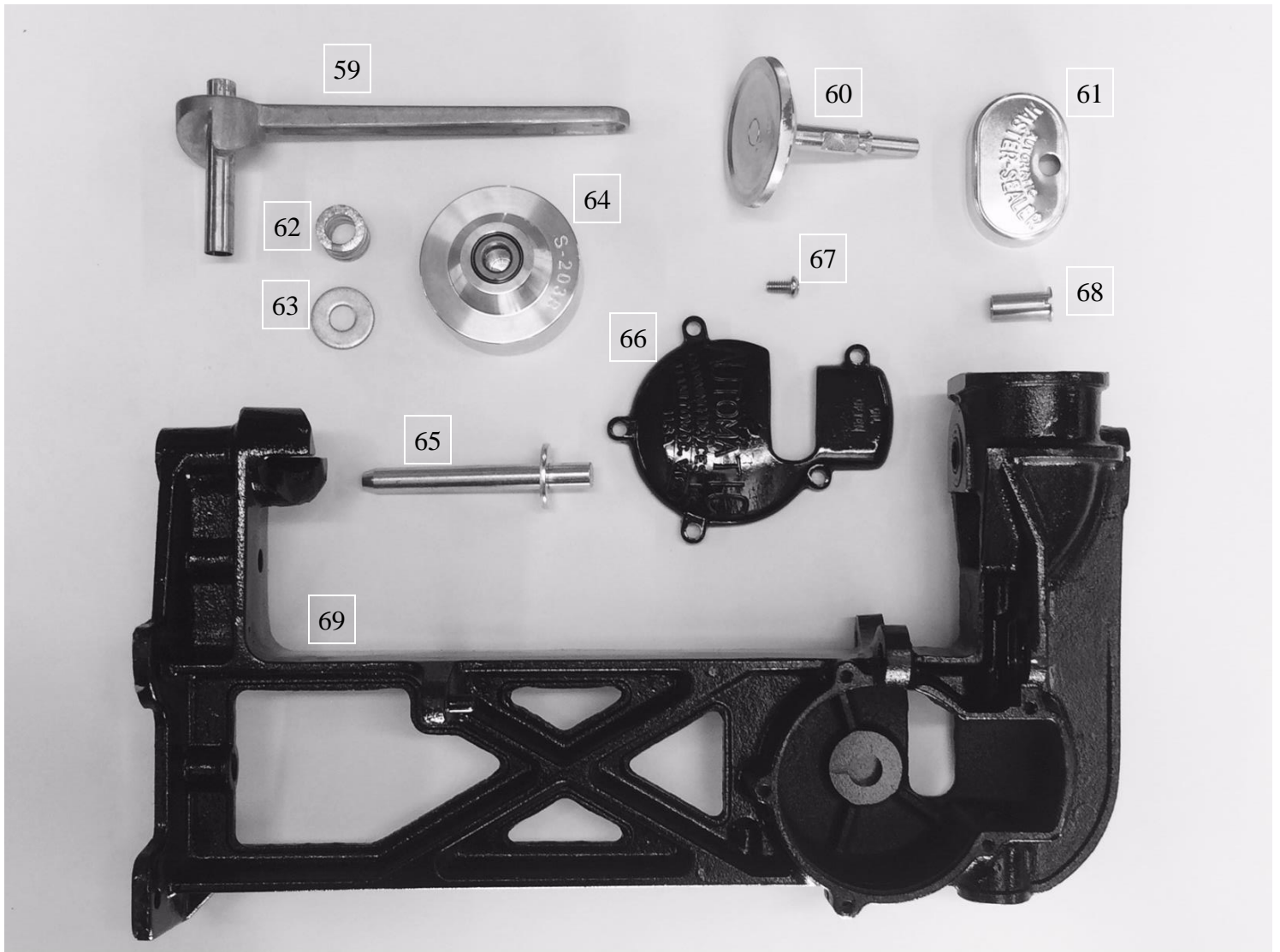
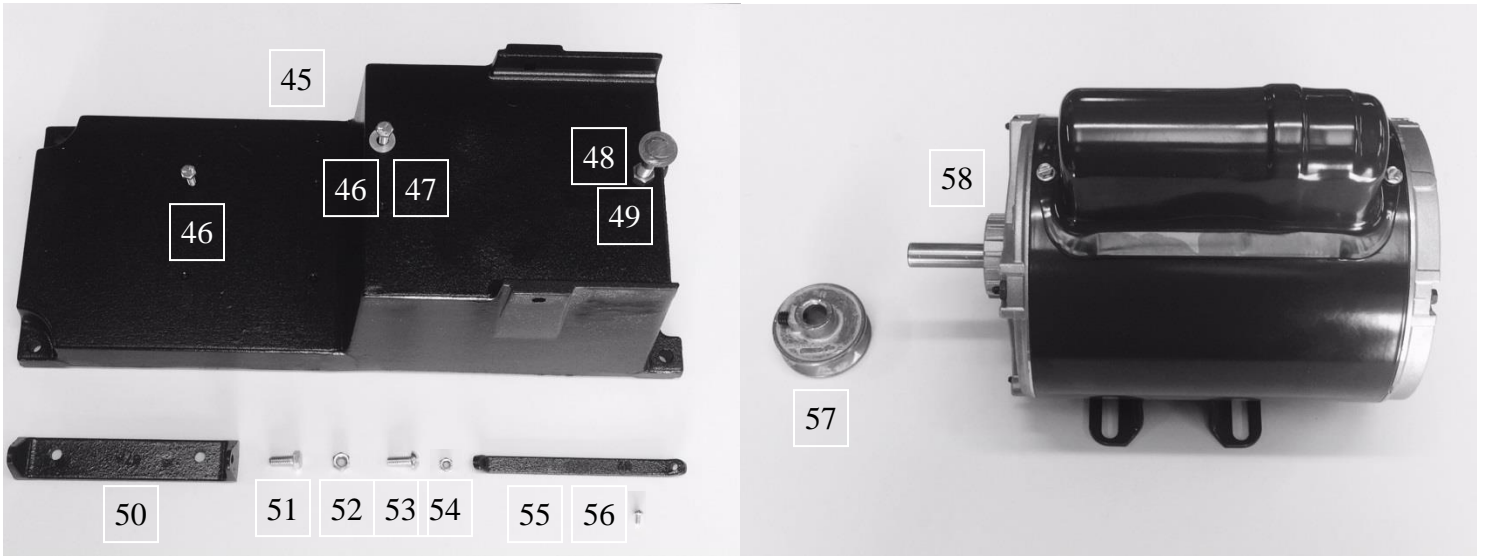




## PARTS LIST

<u>PICTURE NUMBER</u>	<u>PART NUMBER</u>	<u>DESCRIPTION</u>
1	88	Bracket for Clutch Lever (Z0088)
2	94	Clutch Knockout (Z00103)
3	94S	Clutch Knockout Screw
4	94N	Clutch Knockout Nut
5	95LLP	Lever Latch Pin (660525)
6	90S	Reset Lever Screw
7	90N	Reset Lever Nut
8	90	Reset Lever
9	95	Lever Latch (660015)
10	CY-5	Bevel Pinion Gear (660890)
11	S-225X	Worm Shaft (Z0064)
12	CY-4	Bevel Gear w/ Ball Lock (Z000054)
13	S-206XB	Cam Worm Wheel for Beer Sealer (Z000199)
14	CY-25W	Worm Shaft Fiber Washer (660860)
15	92	Clutch Assembly, Complete (Z000102)
16	CY-7	Worm Gear Z00076
17	CY-25D	Pin for Worm Shaft (660520)
18	CY-26	Worm Wheel Shaft (660750)
19	98	Pins & Spring Set Only for Clutch Assembly (Z000105)
20	S25SS	Flywheel Set Screw (660670)
21	CY-1E	Escutcheon Pin (660470)
22	CY-9LS	Lock Screw for Roller Bearing (660640)
23	CY-9LW	Lock Washer for Lock Screw (660830)
24	CY-9F	Roller Bearing Lever – First (Z000056)
25	CY-9S	Roller Bearing Lever – Second (Z000057)
26	CY-18F	Seaming Roller Pin – First (660490)
27	CY-18S	Seaming Roller Pin – Second (660500)
28	CY-14B	First Operation Roll for Beer Sealer (660605)
29	CY-15B	Second Operation Roll for Beer Sealer (660615)
30	S-208	Seaming Lever – First or Second (660390)
31	CY-17	Seaming Lever Pin (660480)
32	S-222B	Cam Roller Lever for Beer Sealer– Complete (660355)
33	CY-22R	Rivet for Cam Roller & Adjusting Levers (660580)
34	S-224	One (1) Adjusting Lever - Works for First or Second (Z0063)
35	CY24-LN	Lock Nuts (2) for Adjusting Screw (660440)
36	CY24-AS	Adjusting Screw for Adjusting Levers (660580)
37	CY-35	Seaming Lever Spring (Z000169)
38	ES526C1	Shaft Collar (660530)
39	99	Set of Pin, Nut & Washer for Pulley Wheel (Z000104)
40	97V	V Belt (660560)
41	93	Pulley Wheel (Z0093) <i>May need to order part #99 also</i>
42	85	Pulley Housing (Z0085)
43	86	Pulley Housing Cover (Z0086)
44	79	Cover Screw

# PARTS PICTURE LIST



## PARTS LIST

<u>PICTURE NUMBER</u>	<u>PART NUMBER</u>	<u>DESCRIPTION</u>
45	S-284X	Senior Electric Base
46	670040	¼" x 20 x ¾" Hex Bolt
47	670035	Washer for Pulley Housing
48	84S	Tension Bolt (670100)
49	84N	Lock Nut (670090)
50	87A	Motor Brace Bracket (Z00186)
51	87B	Bolt for Motor Bracket (670080)
52	CY-24LN	Lock Nut for CY-24 (660440)
53	89LS	10-24 x 7/8" 89 Connector (670110)
54	89N	Nut for 89 Connector (670120)
55	89	Guard Brace (Z0089)
56	79	Guard Brace Screw
57	97P5	5/8"x 2" Pulley (660550)
58	S-296-2-6	Electric Motor, Specify for 240V (660410)
59	CY-10	Can Lifter Handle (660250)
60	300	Beer Can Chuck (660215)
61	CY-65	Front Gear Cover (660910)
62	CY-34	Base Plate Compression Spring (660760)
63	1/8" HW	1/8" Height Washer (660820)
64	S-203B	Base Plate w/ Ball Bearing for Beer Sealer (660025)
65	CY-32	Base Plate Shaft (660700)
66	CY-2	Cam Worm Wheel Cover (Z000074)
67	CY-2S	Cover Plate Screw (670010)
68	CY-19	Chuck Holder Bushing (Top) (660070)
69	S-201X	Electric Sealer Frame (Z0091)

# **ALL AMERICAN AUTOMATIC MASTER CAN SEALER LIMITED WARRANTY**

This quality Automatic Master Can Sealer is designed and manufactured to provide many years of satisfactory performance under normal use. Wisconsin Aluminum Foundry guarantees to the original owner that should there be any defects in material or workmanship during the first ninety (90) days after purchase, we will repair or replace it, at our option. This warranty does not apply to damage caused by shipping. To obtain service under the warranty, please do the following:

- 1) Call the Customer Service Department to obtain a Return Authorization (RA) Number. Items returned without a Return Authorization Number will be refused.
- 2) Return can sealer, shipping prepaid with sales receipt, RA Number and a description of the claimed defect to:

**WISCONSIN ALUMINUM FOUNDRY CO., INC.  
CONSUMER PRODUCTS DIVISION  
1931 South 14<sup>th</sup> Street / PO Box 246  
MANITOWOC, WI 54220**

Return transportation will be prepaid on all can sealers under warranty. Repairs made after the warranty has expired will be billed at the current repair costs.

We want you to obtain maximum enjoyment from using this quality can sealer and we ask that you take the time to read and follow the operating instructions. Failure to follow instructions, damage caused by improper replacement parts, abuse, or misuse will void this warranty.

This warranty gives you specific legal rights, and you may also have other rights which vary from state to state. This is Wisconsin Aluminum Foundry's guarantee to you and is being made in place of all other express warranties.

**Important - please read: Any alterations, modifications or changes of any type made to the can sealer or to any component thereof will void this warranty.**

**WISCONSIN ALUMINUM FOUNDRY CO., INC.  
P.O. BOX 246 MANITOWOC, WI 54221-0246  
PHONE: 920-682-8627 FAX: 920-682-4090**