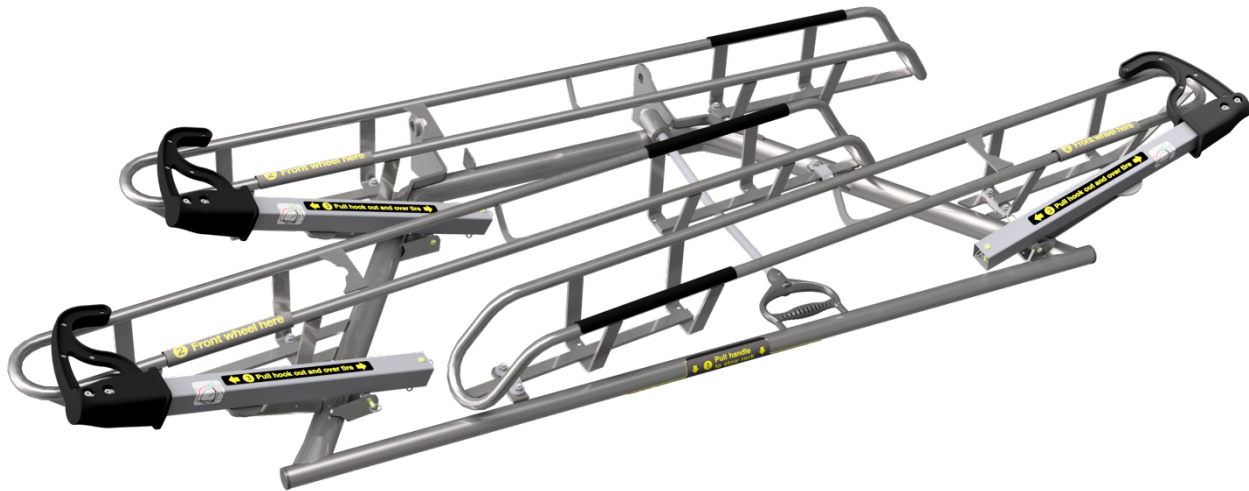


# Technical Specifications

## Apex 3 RL™ 3-Position Bicycle Rack



### Features and Benefits

- Compliant with the State of California length restrictions for vehicles 40ft and over.
- Modular construction enables easy field upgrades and cost-effective part replacement.
- Rugged stainless-steel construction provides maximum corrosion resistance with an anti-glare finish for long-lasting performance in harsh transit applications.
- Self-stowing and easy to use with ergonomic handles that minimize binding and lower the lift weight.
- Wheel trays and support arms are designed for easy securement while reducing bounce and lateral movement.
- Supports safe vehicle operation with a smaller footprint for better vehicle turn radius, headlight, and turn signal visibility.
- Compatible with existing Sportworks mounting brackets.
- A variety of options to customize and enhance operation:  
 Custom colors (special order) · Deployment sensor  
 Bicycle counter sensor · Bilingual decals  
 Ten Second Bracket™ · Quick release pivot hardware  
 Deployment wand · Electric trolley isolator kit  
 Additional torsion spring kit

### Specifications

General	
Bicycle Capacity	Three (3)
Material	Stainless steel, w/ anti-glare finish or powder coat (custom order option)
Bracket	Standard Apex pivot plate or optional Apex Ten Second Bracket™
Trays	Each position supports standard Apex trays

Weight, Dimensions, and Load	
Rack (LxWxD)*	27.9" x 82.3" x 12.3"
Product Weight	64 lbs.
Stowing Weight	15 lbs.

Bicycle Compatibility	
Max. Wheelbase	48"
Max. Tire Width	3.2" (Standard)
Wheel Size	16" to 29" (inc. 700c) (Standard)
Max. Bike Weight	75 lbs.

Part Numbers	
Rack	101395

\* Complies with State of California length restrictions for vehicles 40ft and over

# Technical Specifications

Drawings and Dimensions, Apex 3 RL™: Part Number 101395

