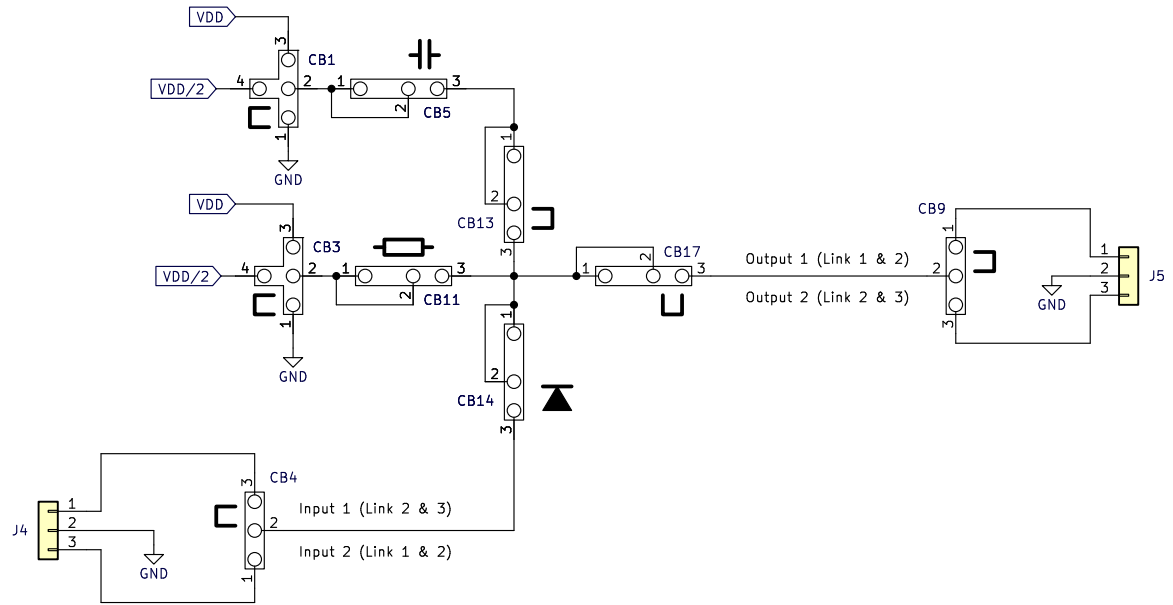
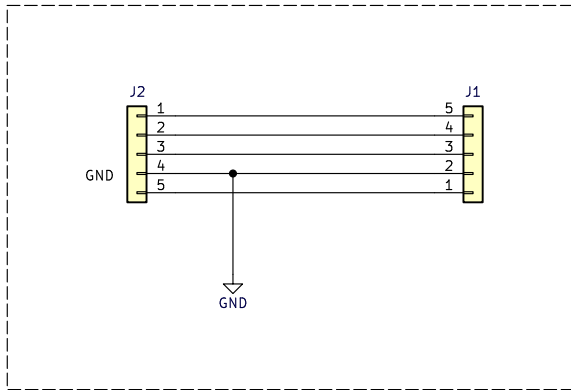


Power Scheme



| | |
|---|------------------|
| Sheet: / | |
| File: Passive Circuits - 3 demodulation.kicad_sch | |
| Title: Passive Circuits 3 Diode Demodulation | |
| Size: A4 | Date: 30/03/2023 |
| Rev: 1.2 | |
| Id: 1/1 | |