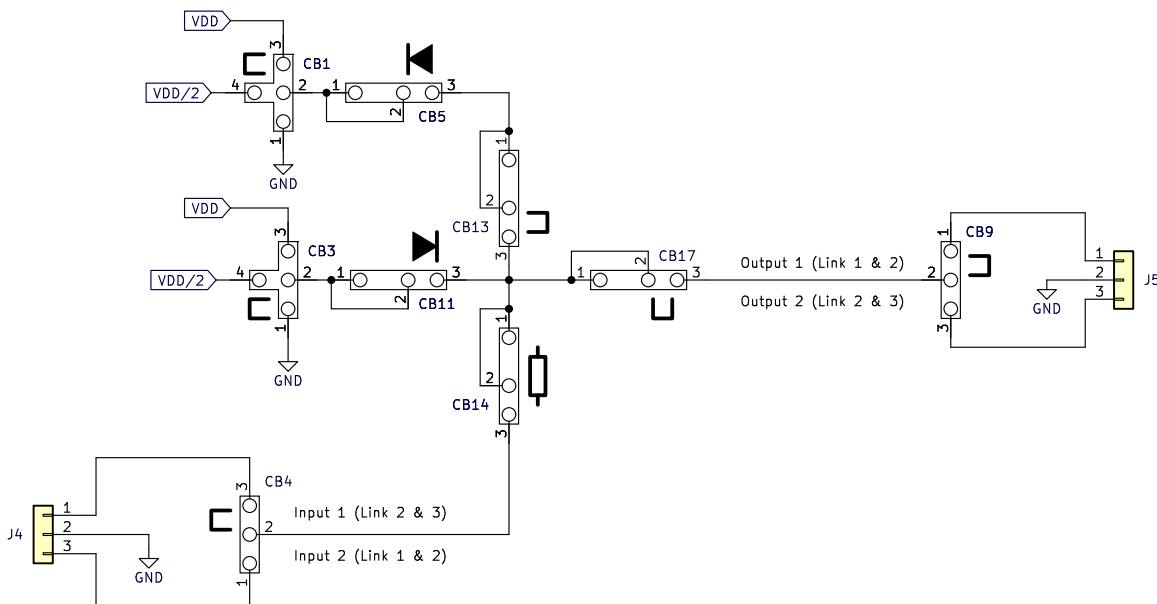
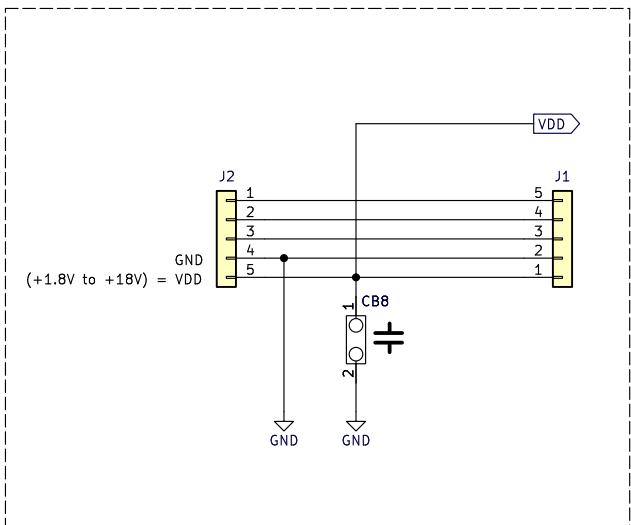


Power Scheme



Sheet: /	
File: Passive Circuits - 4 Diode Clamp.kicad_sch	
<b>Title: Passive Circuits Diode Clamp</b>	
Size: A4	Date: 30/03/2023
Rev: 1.2	
Id: 1/1	