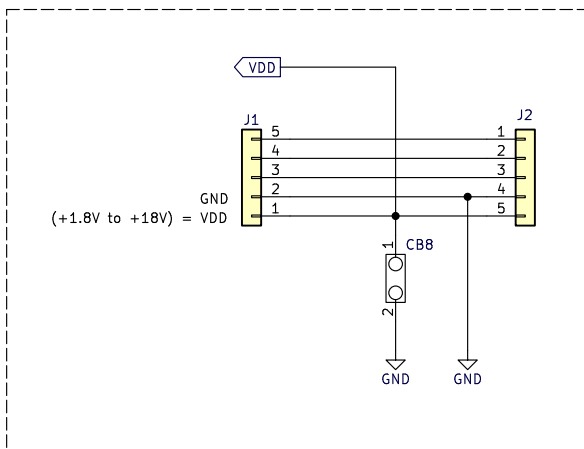



Common emitter transistor amplifier with DC bias & AC coupling




COMPONENTBOARD

Sheet: /	
File: Transistor Template - Circuit 5.kicad_sch	
Title: Common emitter transistor amplifier	
Size: A4	Date: 30/03/2023
Rev: 1.2	
Id: 1/1	