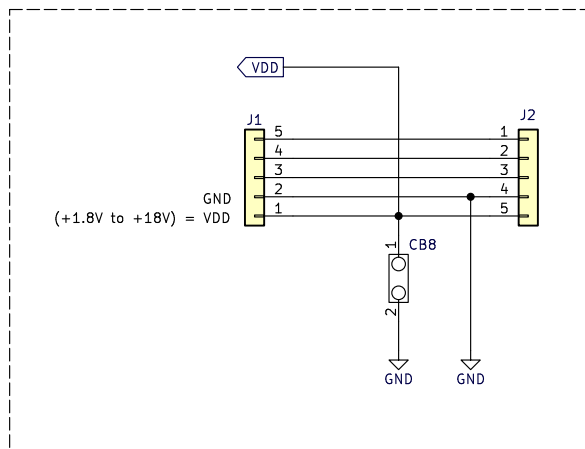



common emitter transistor amplifier with additional emitter resistor in capacitor bypass path




COMPONENTBOARD

Sheet: /	
File: Transistor Template - Circuit 6.kicad_sch	
Title: Common emitter transistor amplifier	
Size: A4	Date: 30/03/2023
Rev: 1.2	
Id: 1/1	