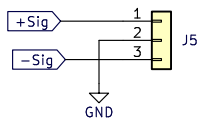
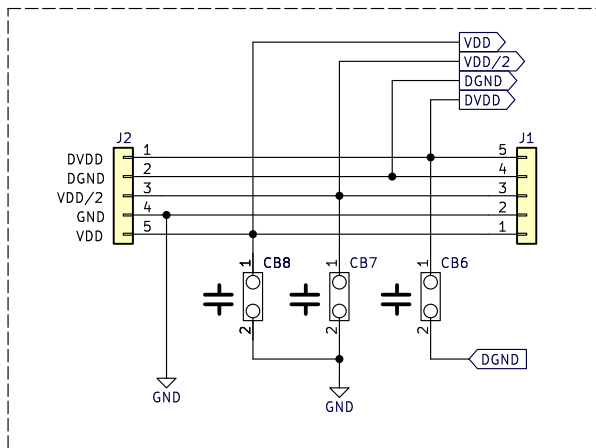



Power Scheme





## COMPONENTBOARD

Sheet: /	
File: ADC MCP33131 - Single Input.kicad_sch	
<b>Title: ADC MCP33131 Single Input</b>	
Size: A4	Date: 30/03/2023
<b>Rev: 1.2</b>	
Id: 1/1	