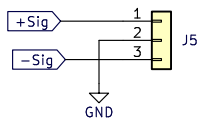
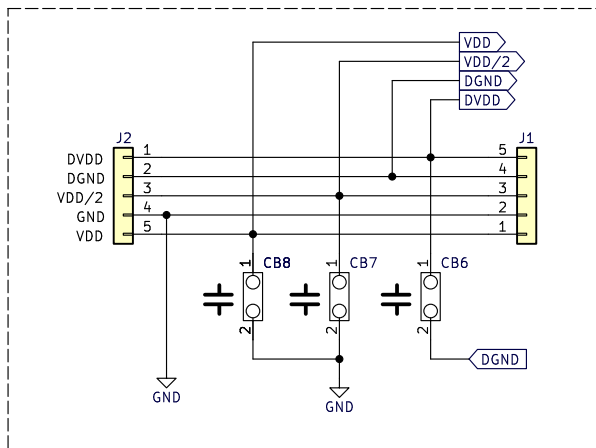



Power Scheme





COMPONENTBOARD

Sheet: /	
File: ADC MCP33131 - Differential.kicad_sch	
Title: ADC MCP33131 Differential	
Size: A4	Date: 30/03/2023
Rev: 1.2	
Id: 1/1	