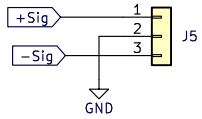
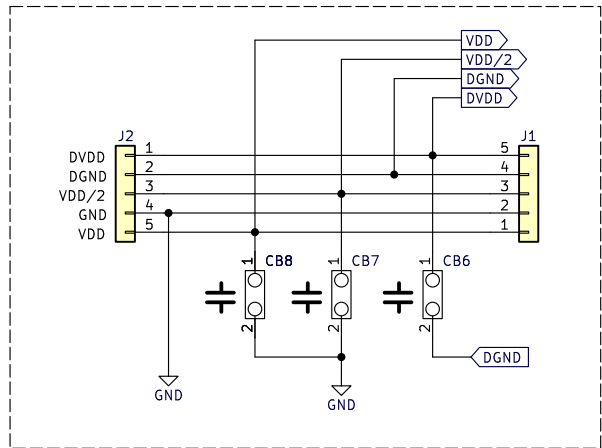


Power Scheme



Sheet: /	
File: ADC MCP33131 - Thermocouple.kicad_sch	
Title: ADC MCP33131 Thermocouple	
Size: A4	Date: 30/03/2023
Rev: 1.2	
Id: 1/1	