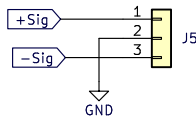
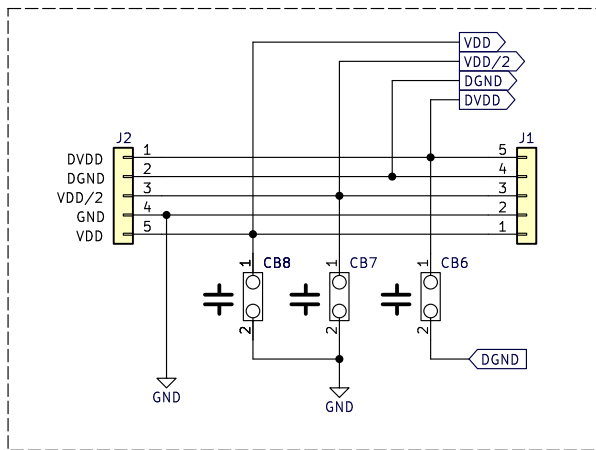



Power Scheme





COMPONENTBOARD

Sheet: /
 File: ADC MCP33131 - Capacitive coupling.kicad_sch

Title: ADC MCP33131 Capacitive coupling

Size: A4	Date: 30/03/2023
Rev: 1.2	
Id: 1/1	