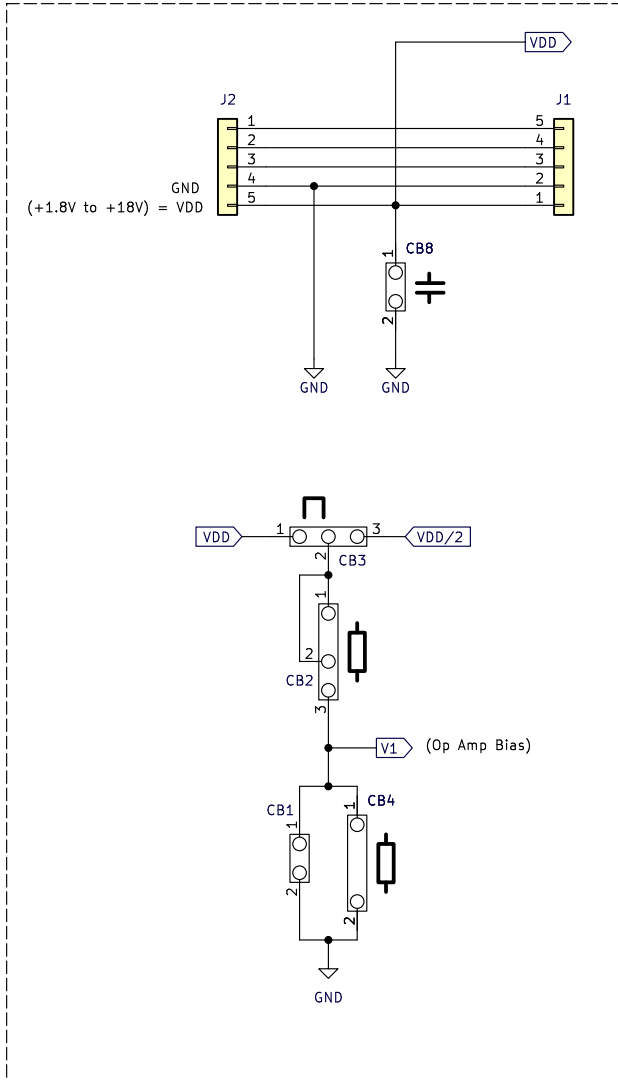
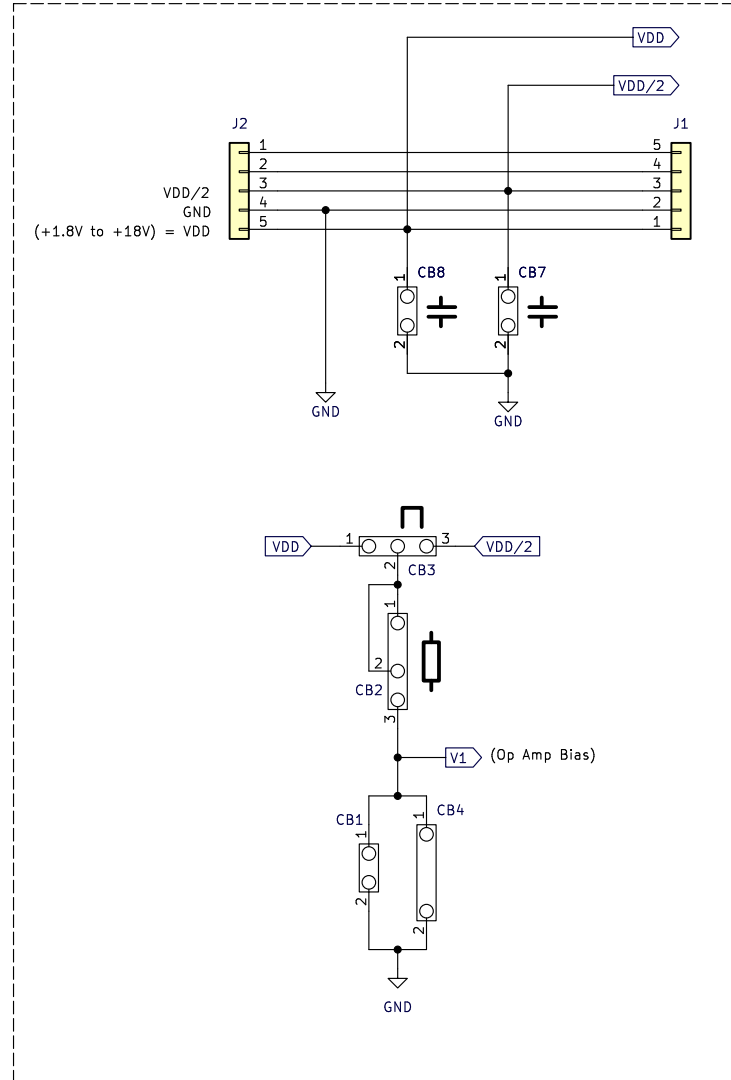


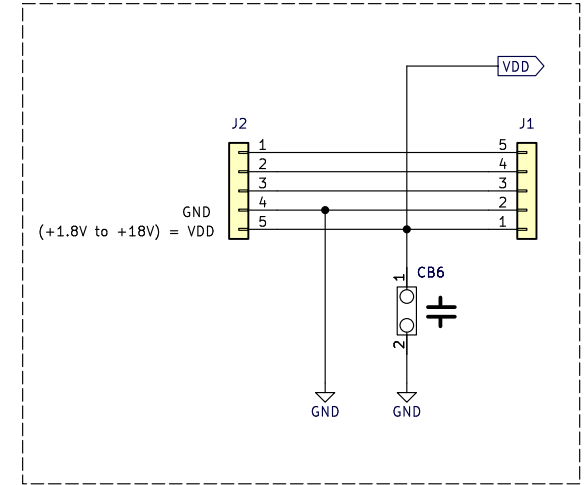
Scheme 1



Scheme 2



Scheme 3



COMPONENTBOARD

Sheet: Root
File: Op Amps Power Supply.kicad_sch

Title: OP Amp Power Supply

Size: A4 Date: 30/03/2023

Rev: 1.2

Id: 1/1