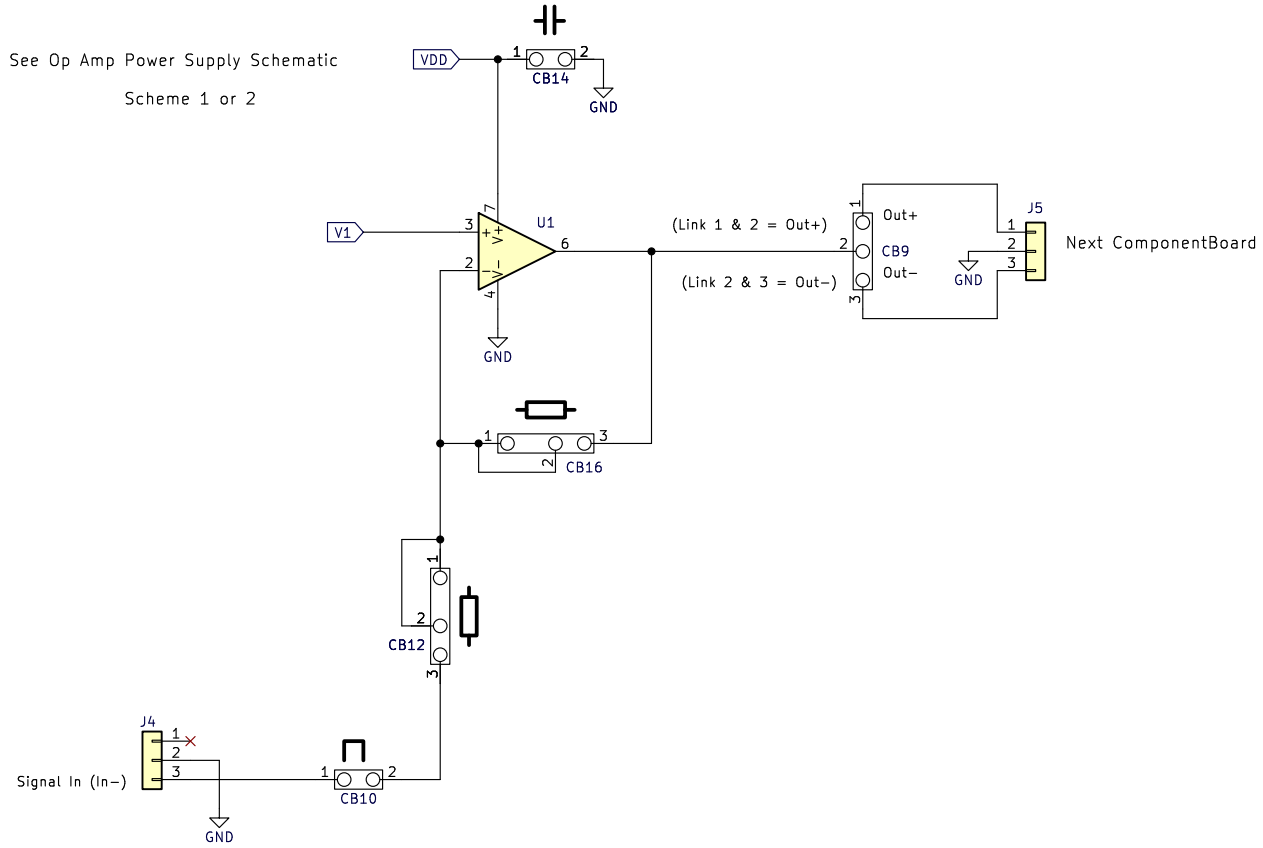


See Op Amp Power Supply Schematic
Scheme 1 or 2



COMPONENTBOARD

Sheet: Root
File: Op Amp Inverting Buffer.kicad_sch

Title: Op Amp Inverting Buffer

Size: A4

Date: 30/03/2023

Rev: 1.2

Id: 1/1