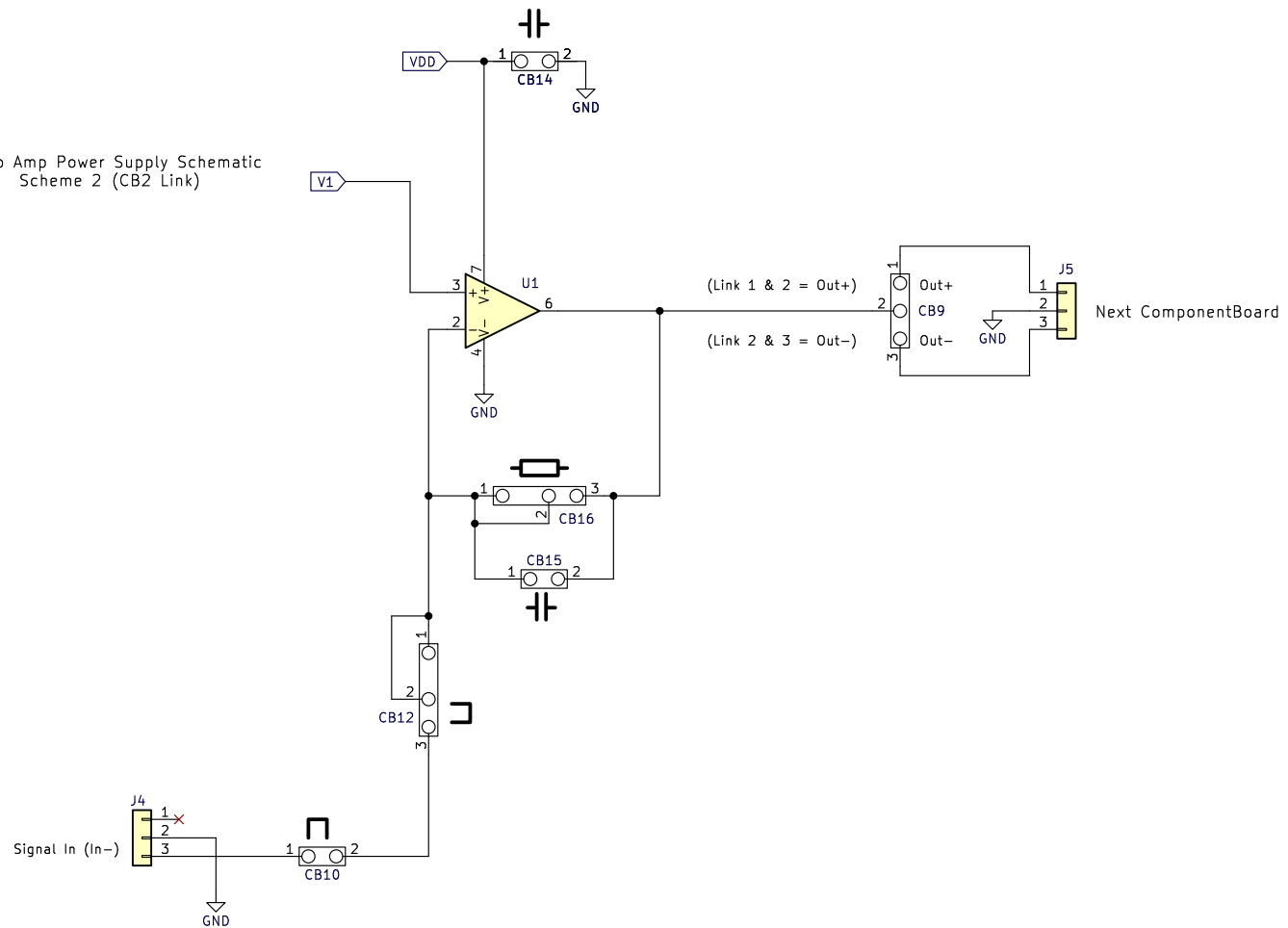


See Op Amp Power Supply Schematic  
Scheme 2 (CB2 Link)



COMPONENTBOARD

Sheet: Root

File: Op Amp Transimpedance Amplifier.kicad\_sch

**Title: OP Amp Transimpedance Amplifier**

Size: A4

Date: 30/03/2023

Rev: 1.2

Id: 1/1