

SIMPLE SOLUTIONS

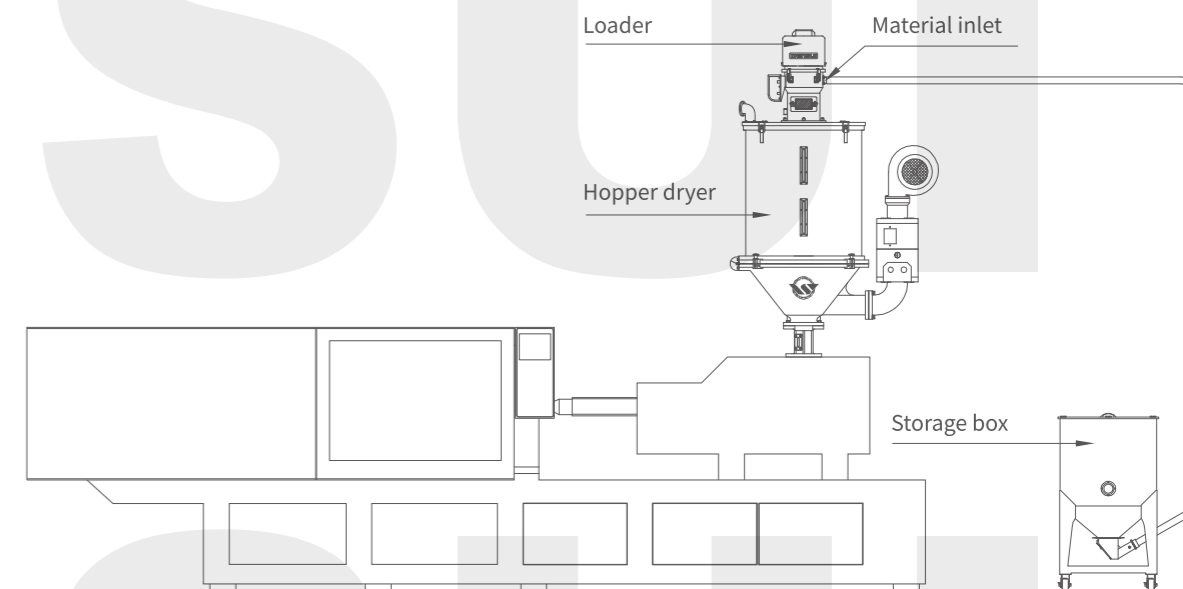
NO MATTER WHAT YOUR REQUIREMENT IS, WE
CAN OFFER TECHNOLOGIES ON POINT.



EURO AUTOLOADER VAL SERIES

Features

- › Adjustable hopper and base.
- › Adopted magnetic reed switch.
- › Equipped with induction high-pressure motor with long service life, small footprint and low noise.
- › Utilizes compressed air to clean filter.



Specifications

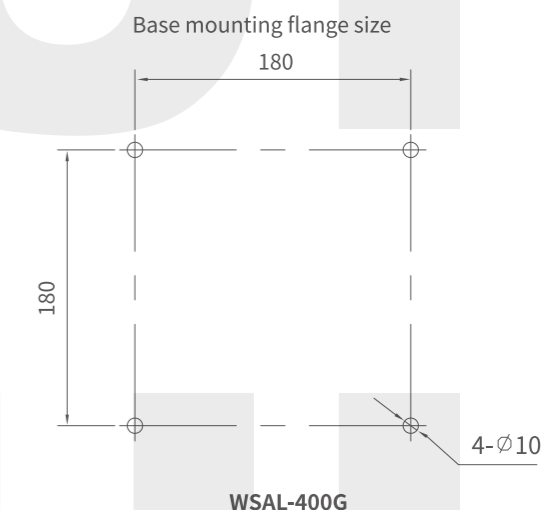
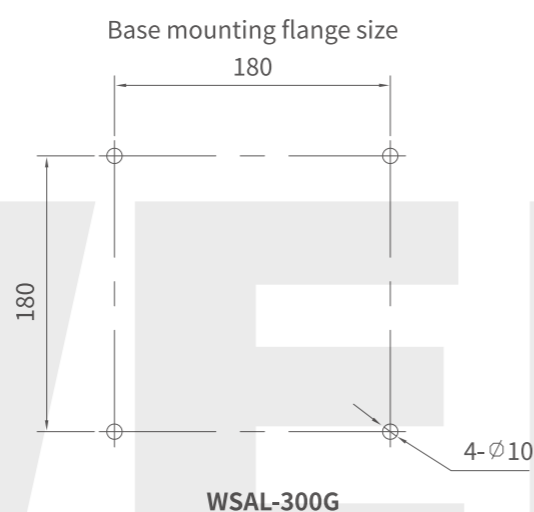
Model		VAL-300G
Motor	Type	Carbon Brush
	Specification	1kW/1.3HP 1Φ
Conveying Capacity(kg/h)		300
Pump Lift(m)		3.5
Static Wind Pressure(bar)		0.13
Storage Bin Volume(L)		6
Conveying Tube Inner Diameter(mm)		Φ38
Size of Standard Hose		Φ38mm×3.5m 1pcs
Power Supply		1Φ 220VAC 50Hz
Dimension(cm) L×W×H		28×38×58
Net Weight(kg)		12

We reserve the right to change specifications without prior notice.

STAND-ALONE AUTOLOADER WSAL-300G/400G

Features

- › Small and light, which can be directly mounted on dryer and molding machine's feeding port.
- › Controlled by microprocessor.
- › Alarms for motor overload and material shortage.
- › 300G adopts high-speed brush motor with a small footprint and strong suction, applicable for conveying virgin materials.
- › 400G adopts induction high pressure blower with low noise and long motor lifespan.
- › Features cable controller for quick adjustment.
- › Able to be installed with bag filter(optional).



Specifications

Model		WSAL-300G	WSAL-400G
Motor	Type	Carbon Brush	Induction
	Specification	1kW/1.3HP 1Φ	0.75kW/1H 3Φ
Conveying Capacity(kg/h)		300	330
Pump Lift(m)		3.5	4
Static Wind Pressure(bar)		0.13	0.14
Storage Bin Volume(L)		6	10
Conveying Tube Inner Diameter(mm)		Φ38	Φ38
Size of Standard Hose		Φ38mm×3.5m 1pcs	Φ38mm×4m 1pcs
Power Supply		1Φ 220VAC 50Hz	3Φ 380VAC 50Hz
Dimension(cm) L×W×H		34×34×59	45×37×66
Net Weight(kg)		12	27

We reserve the right to change specifications without prior notice.

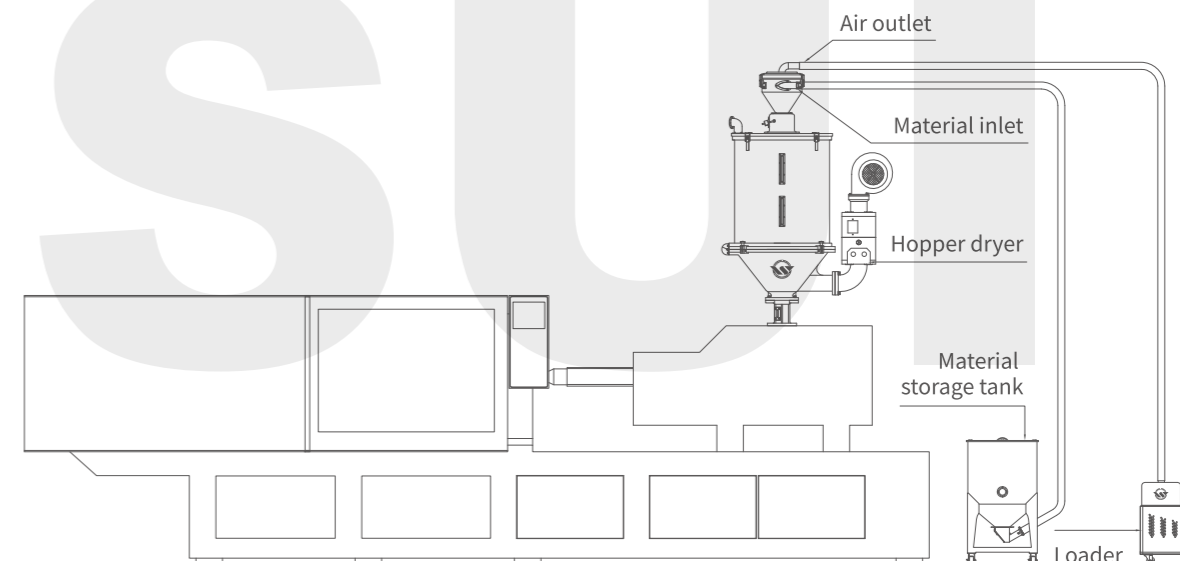
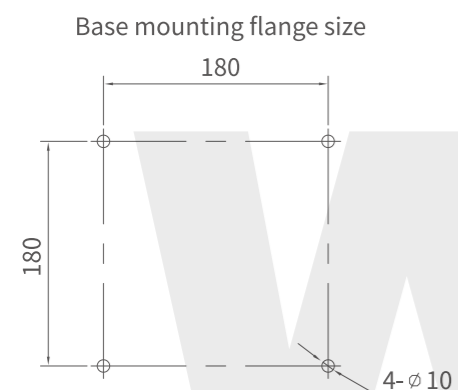
SEPARATE-HOPPER AUTOLOADER WSAL-700G

Features

- › Main unit and loader are separated for safety and long-distance conveying.
- › Filter is easy to clean.
- › Hopper is made of stainless steel.
- › Alarms for motor overload and material shortage.
- › 700G adopts high-speed brush motor with a small footprint and strong suction, applicable for conveying virgin materials.
- › CE standard certificated.



Vacuum hopper



Specifications

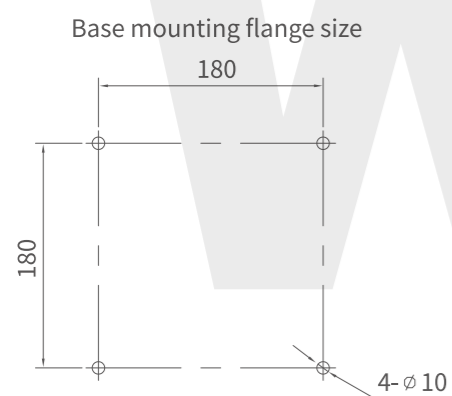
Model		WSAL-700G
Motor	Type	Carbon Brush
	Specification	1kW/1.3HP 1 Φ
Conveying Capacity(kg/h)		310
Pump Lift(m)		4
Static Wind Pressure(bar)		0.14
Storage Bin Volume(L)		6
Conveying Tube Inner Diameter(mm)		ϕ 38
Size of Standard Hose		ϕ 38mm \times 4m 2pcs
Power supply (V)		1 Φ 220VAC 50Hz
Dimension(cm)	Main Unit	37 \times 30 \times 56
	Hopper	28 \times 34 \times 43
New Weight(kg)	Main Unit	14
	Hopper	6

We reserve the right to change specifications without prior notice.

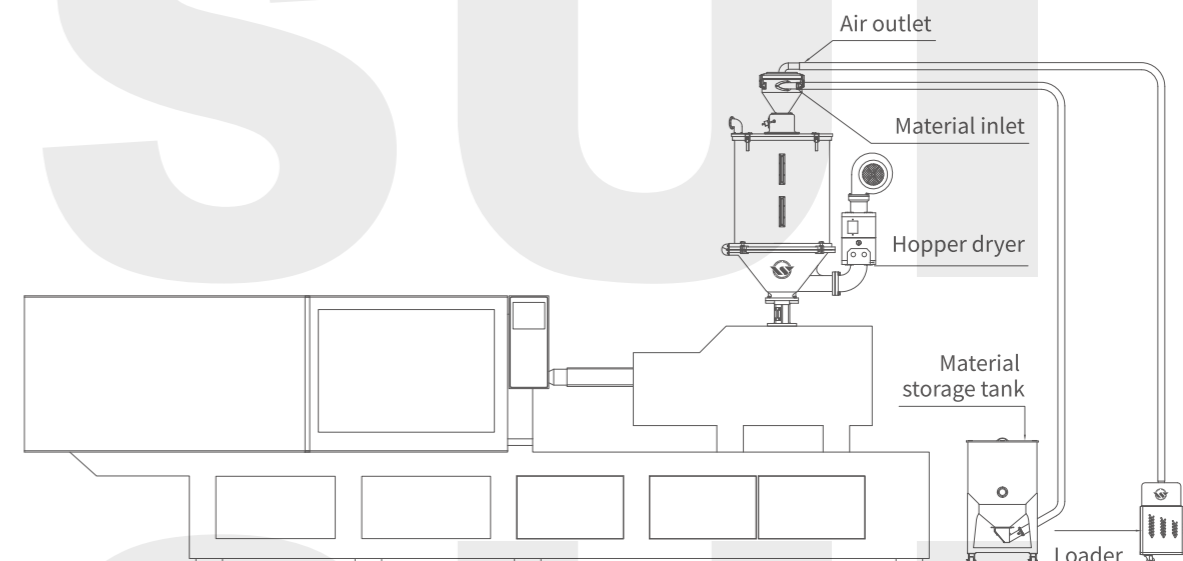
SEPARATE-HOPPER AUTOLOADER WSAL-1.5HP/2HP

Features

- › Main unit and loader are separated for safety and long-distance conveying.
- › Filter is easy to clean.
- › Hopper is made of stainless steel.
- › Alarms for motor overload and material shortage.
- › Adopts high-speed brush motor with a small footprint and strong suction, applicable for conveying virgin materials.
- › Adopt induction high pressure blower with low noise and long motor lifespan.
- › Equipped with pump reverse cleaning function.
- › CE standard certificated.



Vacuum hopper



Specifications

Model	WSAL-1.5HP	WSAL-2HP
Motor	1.1	1.5
Conveying Capacity(kg/h)	450	600
Pump Lift(m)	4	4
Static Wind Pressure(bar)	0.21	0.25
Storage Bin Volume (L) and Number of Bin	10	10
Conveying Tube Inner Diameter (mm)	Φ 38	Φ 38
Size of Standard Hose	Φ 38mm \times 4m 2pcs	Φ 38mm \times 10m 1pcs
Dimension(cm) L \times W \times H	Main Unit	68 \times 40 \times 95
	Hopper	45 \times 32 \times 45
Net Weight(kg)	72	72

Power supply: 3 Φ 380VAC 50Hz;

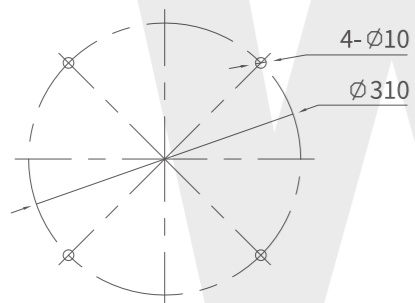
We reserve the right to change specifications without prior notice.

SEPARATE-HOPPER AUTOLOADER WSAL-3HP~10HP

Features

- › Main unit and loader are separated for safety and long-distance conveying.
- › Filter is easy to clean.
- › Hopper is made of stainless steel.
- › Alarms for motor overload and material shortage.
- › Adopt induction high pressure blower with low noise and long motor lifespan.
- › CE standard certificated.

Base mounting flange size

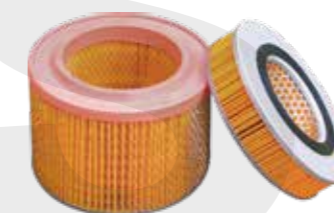


Hopper(25L)

Hopper(40L)



Accessories



Air filter

Used to protect the motor when conveying powder material.



Nozzle

Made of stainless steel and is easy to use.

Specifications

Model	WSAL-3HP	WSAL-5HP	WSAL-7.5HP	WSAL-10HP
Motor	2.2	4	5.5	7.5
Conveying Capacity(kg/h)	650	900	1200	1500
Pump Lift(m)	6	6	6	6
Static Wind Pressure(bar)	0.29	0.31	0.41	0.44
Storage Bin Volume (L) and Number of Bin	10/25	25	40	40
Conveying Tube Inner Diameter(mm)	Φ38/Φ51	Φ51	Φ63	Φ63
Size of Standard Hose	Φ38mm×10m 1pcs Φ51mm×10m 1pcs	Φ51mm×10m 1pcs	Φ63mm×15m 1pcs	Φ63mm×15m 1pcs
Dimension (cm) L×W×H	Main Unit	66×40×110	66×40×110	65×50×141
	Hopper	45×32×45	44×44×64	44×44×81
Net Weight(kg)	80	107	167	185

Power supply: 3Φ 380VAC 50Hz;

We reserve the right to change specifications without prior notice.

MULTI-HOPPER LOADER WSAL SERIES

Features

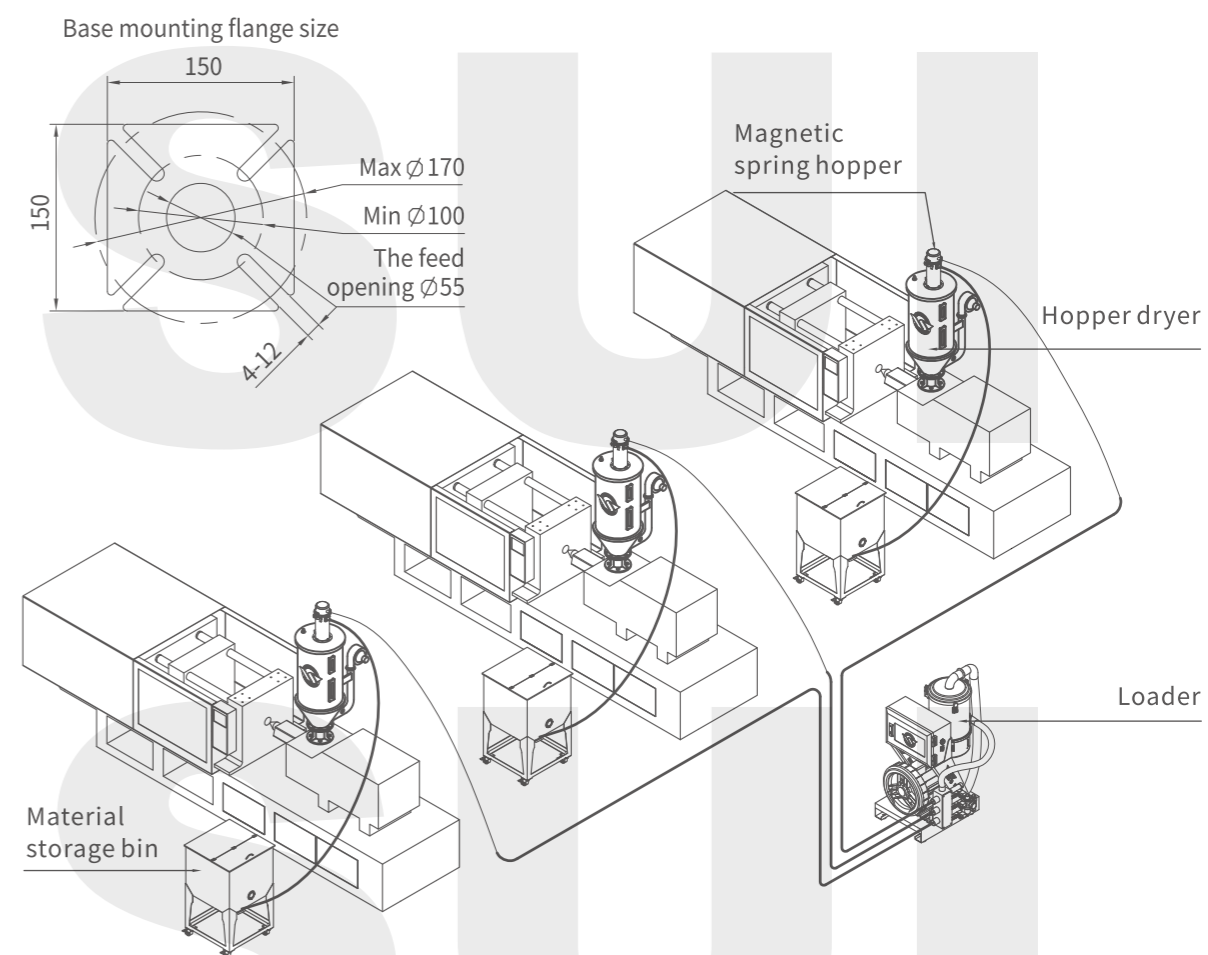
- › One host machine feeds to several hoppers to save cost and space.
- › Vacuum hoppers and sensor hoppers are available.
- › Applicable for drying and conveying in one system with simplified systematic structure and high efficiency.
- › Fully automatic microcomputer controlled.
- › Integrated control, easy and safe to operate.
- › Easy maintenance.



Vacuum hopper



Photoelectric sensor hopper



Specifications

Model	WSAL-1.5HP-2	WSAL-2HP-3	WSAL-3HP-4
Motor	1.1	1.5	2.2
Conveying Capacity(kg/h)	500	650	750
Pump Lift(m)	4	4	5
Static Wind Pressure(bar)	0.21	0.25	0.28
Storage Bin Volume (L) and Number of Bin(L)	6×2	6×3	6×4
Conveying Tube Inner Diameter(mm)	Φ38	Φ38	Φ38
Size of Standard Hose	Φ38mm×4m 4pcs	Φ38mm×4m 6pcs	Φ38mm×5m 8pcs
Dimension(cm) L×W×H	Main Unit	66×40×95	66×40×110
	Hopper	28×34×43	28×34×43
Net Weight(kg)	85	98	120

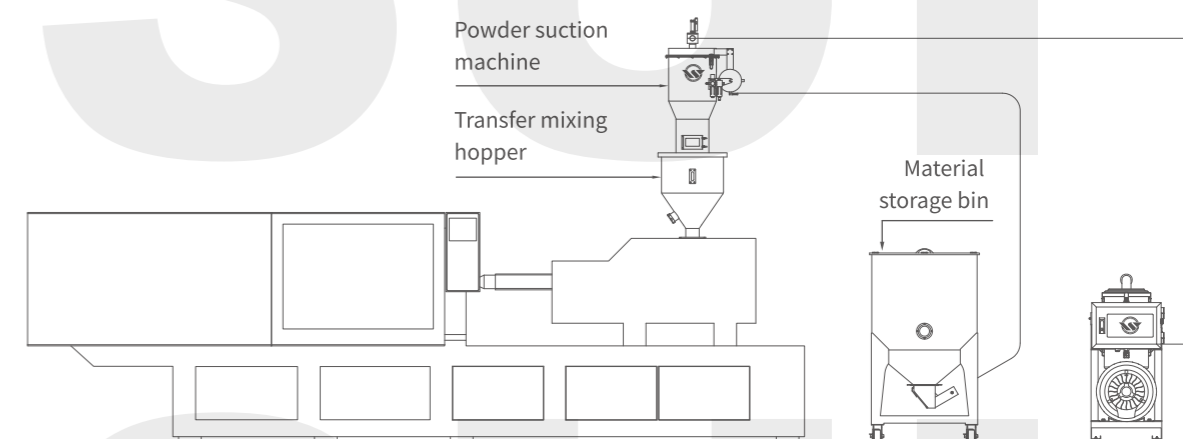
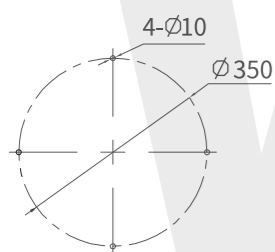
The test raw material is ABS; the pseudo specific gravity is calculated as 0.65;
Power supply: 3Φ 380VAC, 50Hz;
We reserve the right to change specifications without prior notice.

POWDER AUTOLOADER VPL SERIES

Features

- ▶ Controlled by microprocessor, and user operates via buttons and a simple system interface.
- ▶ High pressure pump features small volume, lower noise, and easy installation.
- ▶ Large conveying capacity which can feed one to one (standard up) to one to four (optional).
- ▶ Consisted of dust separator and dust collecting bin, both of which are easy to clean and maintain.
- ▶ Features blowback valve to automatically clean hopper to enhance air conveying.
- ▶ Indicator light shows the working status or faulty status.

Base mounting flange size



Specifications

Model	VPL-3HP	VPL-5HP	VPL-7.5HP	VPL-10HP
Power(HP)	3	5	7.5	10
Conveying Capacity(kg/h)	300	500	800	1100
Pump Lift(m)	4	4	4	5
Static Wind Pressure(bar)	0.28	0.31	0.41	0.44
Storage Bin Volume(L)	24	24	24	24
Conveying Tube Inner Diameter(mm)	Φ51	Φ51	Φ51	Φ51
Size Of Standard Hoses	Φ51mm×4m 2pcs		Φ51mm×4m 1pcs	Φ63mm×4m 1pcs
Dimension L×W×H(cm)	52×43×123	52×43×123	60×47×160	60×47×160

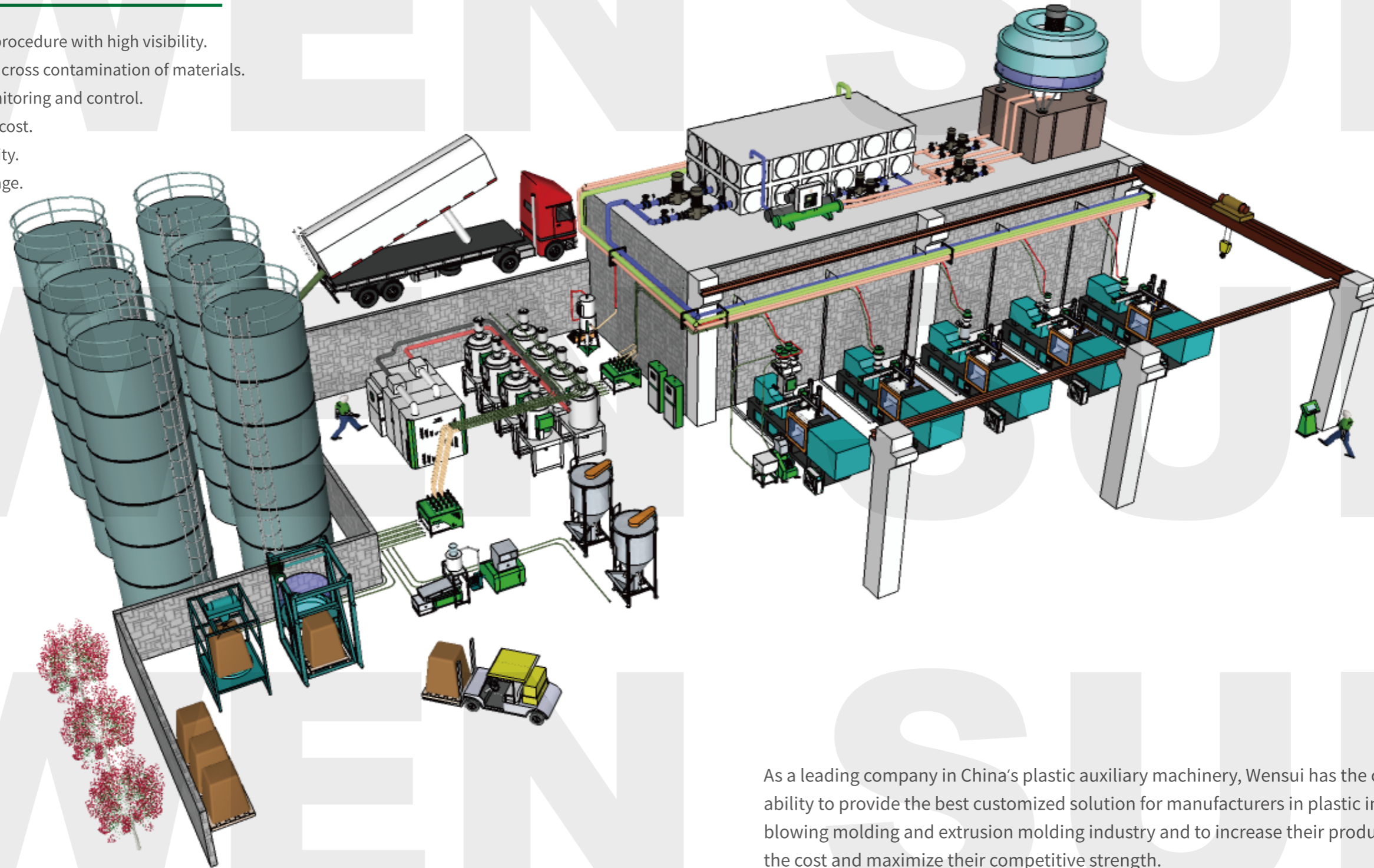
Power supply: 3Φ 380VAC, 50Hz;

We reserve the right to change specifications without prior notice.

CENTRAL MATERIAL HANDLING WATER FEEDING SYSTEM

Features

- › Simplifies production procedure with high visibility.
- › Reduces dust level and cross contamination of materials.
- › Console is for easy monitoring and control.
- › Lowers manufacturing cost.
- › Improves product quality.
- › Improves company image.



As a leading company in China's plastic auxiliary machinery, Wensui has the confidence and ability to provide the best customized solution for manufacturers in plastic injection molding, blowing molding and extrusion molding industry and to increase their productivity, reduce the cost and maximize their competitive strength.

CENTRAL MATERIAL HANDLING SYSTEM

