



TCIV+ IP Video Station Mounting Manual

1 TCIV+ IP Video Stations

This document specifies the dimensions, mounting procedure, and camera FoV of the TCIV+ IP Video Stations. **Zenitel takes no responsibility for damages caused by improper or inadequate mounting.** The TCIV+ series comprises the following stations & accessories:

Item Number	Type	Item Description
1008315020	TCIV-2+	Turbine Compact IP Video - stainless steel front plate
1008315030	TCIV-3+	Turbine Compact IP Video - thermoplastic front plate
1008315050	TCIV-5+	Turbine Compact IP Video - thermoplastic front plate with PMOLED display
1008315060	TCIV-6+	Turbine Compact IP Video - thermoplastic front plate with PMOLED display
1008140010	TA-1	Turbine On-Wall Back Box
1008140020	TA-2	Flush Mount 2-Gang Double-Depth Back Box
1008140050	TA-5	Bracket for Flush Mount 2-Gang Back Box



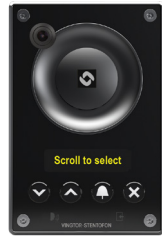
TCIV-2+



TCIV-3+

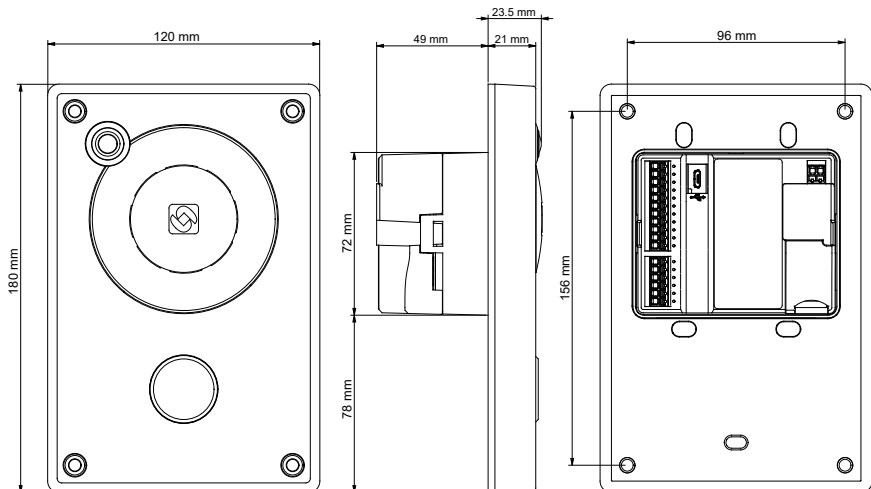


TCIV-5+



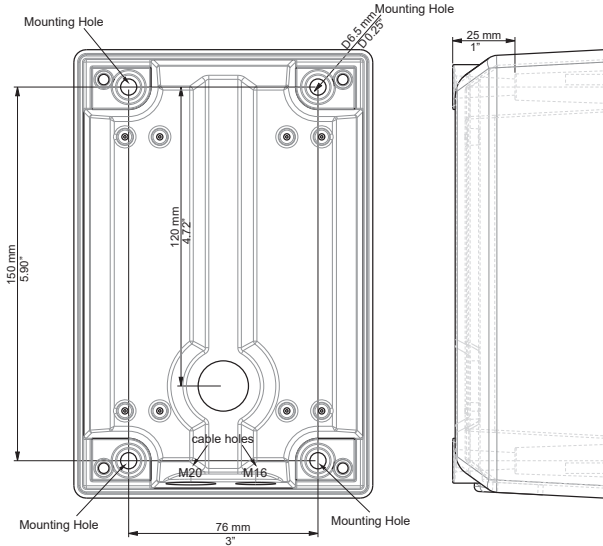
TCIV-6+

1.1 TCIV+ Station Dimensions



2 On-Wall Surface Mounting

2.1 On-Wall Surface Mount Back Box - TA-1



① **IP-66 rating is only valid when TA-1 Back Box is used**

Mounting holes are to be drilled as shown.

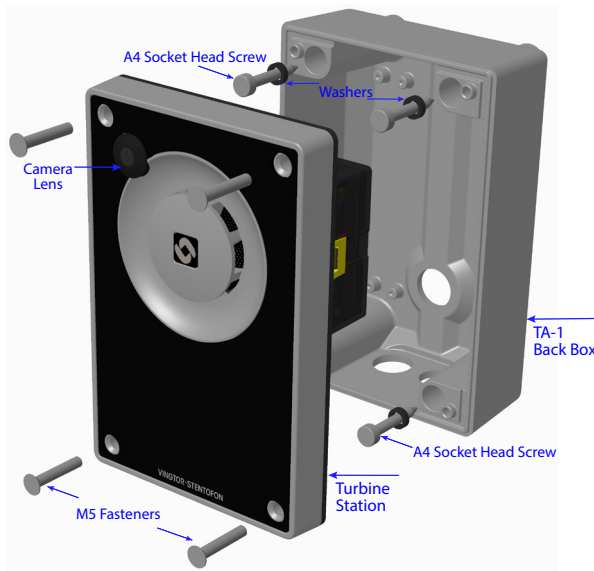
Max. recommended screw diameter: ISO M6 or ANSI 1/4".
Screw length must be greater than 25 mm or 1".

A4 stainless steel socket head screws/bolts are recommended.
Max. recommended screw head diameter: 9.5 mm or 3/8".

Included:

4x M5 Fasteners
2x Grommets
1x M20 Cable Gland
4x Washers for extra protection against corrosive effects between surfaces to be placed at bottom of the 4 mounting holes.

2.2 On-Wall Surface Mounting Procedure

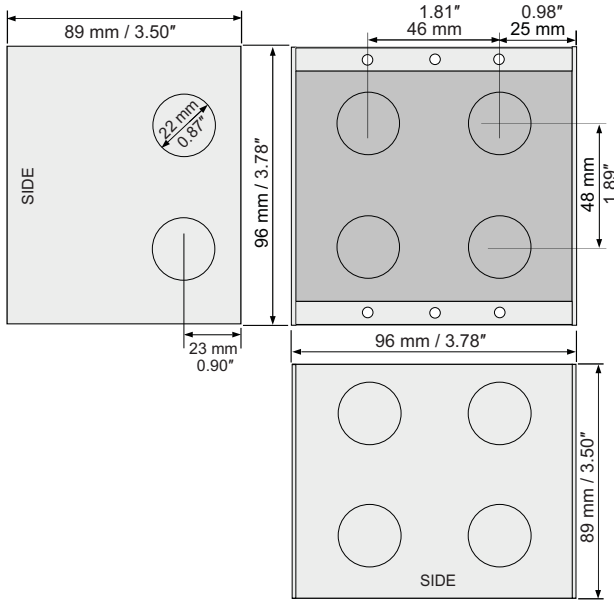


- ① **Ensure the station is mounted vertically with the microphone aperture at the bottom facing down.**
- ① **Ensure there is enough clearance under the station so that the microphone aperture is NOT smothered.**
- ① **Place the washers at the bottom of the 4 mounting holes on the back box.**
- ① **Use the grommets and M20 cable gland provided for the cable holes on the back box.**

1. Mount the TA-1 back box onto the wall using A4 socket head screws.
2. Plug the Ethernet cable into the RJ45 port on the station.
3. Mount the station onto the back box with the M5 fasteners provided, applying 1.5 Nm torque.

3 Flush Mounting

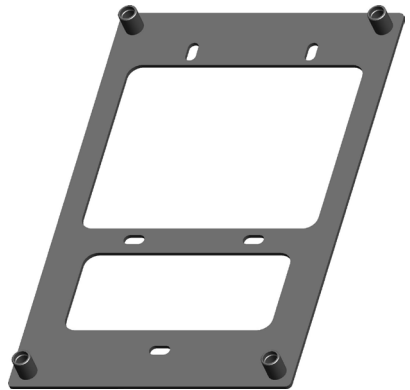
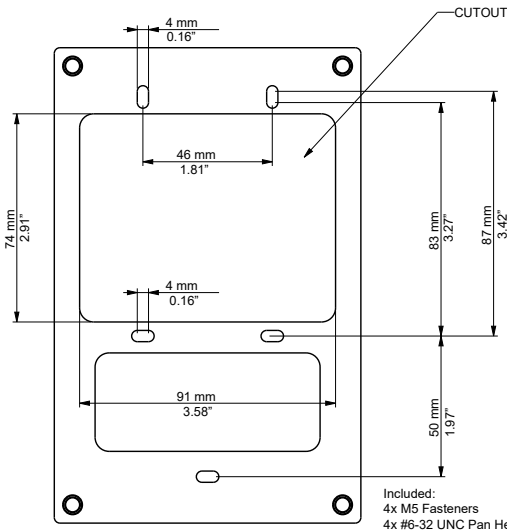
3.1 Flush Mount 2-Gang Double-Depth Back Box - TA-2



① It is recommended to utilize back boxes with weep holes at the bottom.

3.2 Flush Mount Bracket - TA-5

① **The TA-5 Bracket or other customized solution is required for flush mounting.**

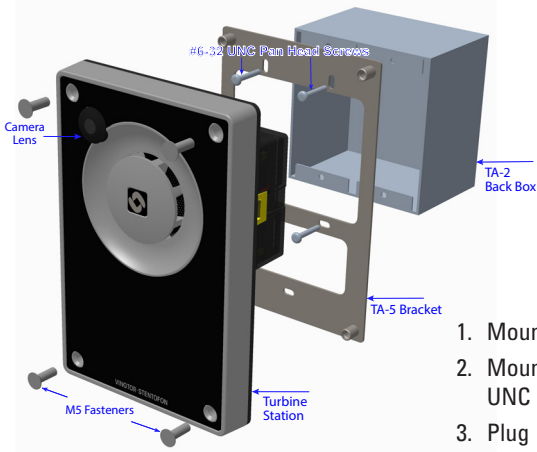


Fits US 2-GANG electrical boxes

Recommended screw diameter: up to M4 (5/32")

Use #6-32 UNC pan head screws for the TA-2 back box

3.3 Flush Mounting Procedure



- ① Ensure the station is mounted vertically with the microphone aperture at the bottom facing down.
- ① Ensure there is enough clearance under the station so that the microphone aperture is NOT smothered.
- ① Apply silicone sealant all around the aluminum frame of the station, making sure to leave the microphone aperture open.

1. Mount the TA-2 back box into the wall.
2. Mount the TA-5 bracket onto the back box with #6-32 UNC pan head screws.
3. Plug the Ethernet cable into the RJ45 port on the station.
4. Mount the station onto the bracket with the M5 fasteners provided, applying 1.5 Nm torque.

4 Camera Field of View

Field of View: Vertical Angle = 109° / Horizontal Angle = 145°

