



# Network Speakers

ELSII-10HM  
ELSII-10LHM  
ELSII-10PM  
ELSII-10WM  
ELSIR-10CM

## Mounting & Installation Manual

# About

---

This document serves as a basic mounting and installation guide for Zenitels range/line of Network Speakers.

Featured products:

Item Number	Item Name	Description
1023301311	ELSII-10HM	Network Horn Speaker, 10W, Ethernet, Microphone
1023301321	ELSII-10LHM	Network Long Horn Speaker, 10W, Ethernet, Microphone
1023302340	ELSII-10PM	Network Projector Speaker, 10W, Ethernet, Microphone
1023302330	ELSII-10WM	Network Cabinet Speaker, 10W, Ethernet, Microphone
1023300011	ELSIR-10CM	Network Ceiling Speaker, 10W, Ethernet, Microphone

# Contents

---

<b>1</b>	Safety Information	<b>4</b>
<b>2</b>	ELSII-10HM/ ELSII-10LHM	<b>5</b>
<b>3</b>	ELSII-10PM	<b>12</b>
<b>4</b>	ELSII-10WM	<b>20</b>
<b>5</b>	ELSIR-10CM	<b>27</b>

# 1 Safety Information

This manual describes the necessary steps to mount and install the Zenitel Network Speakers. It contains important instructions that must be followed. The Network Speakers should be installed by a competent person in accordance with national and local regulations.



**NB! A warning symbol indicates that extra care must be taken. Damage to equipment and/or injury can occur. Please read all warnings before installing this product.**

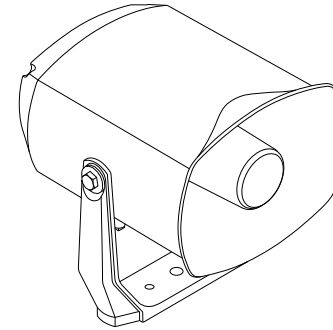
Zenitel takes no responsibility for damages caused by improper or inadequate mounting and installation.

## Important mounting and installation considerations

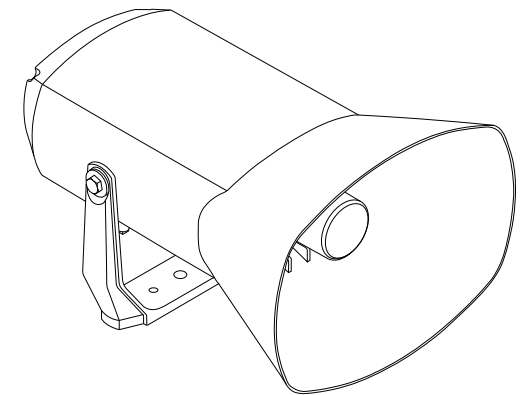
- These products must be installed where its weight can be fully supported.
- If using anchors, plugs or screws other than those specified by Zenitel, they may not be able to hold the weight of the product, and this may cause a safety hazard.
- When drilling holes in wall, pole or plate, make sure you use a drill with the specified diameter. Make sure that you also follow the instructions regarding the depth of the holes.
- Make sure that all screws are fully tightened. Applying excessive force to the screws may damage your wall or cause damage to the product.
- Do not place a unit in environments with a high level of dust, heat, moisture or vibration.
- Installation of all speakers must be done using shielded Ethernet cables with grounding at the switch end.

# 2 ELSII-10HM / ELSII-10LHM

*ELSII-10HM*

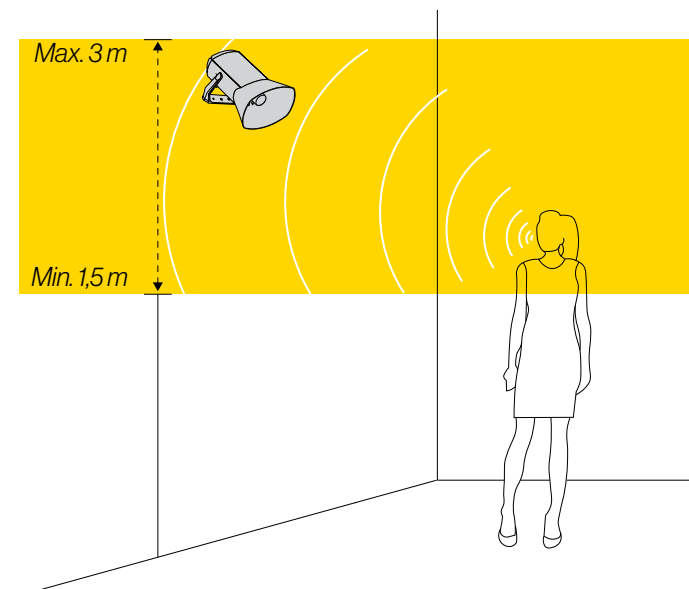


*ELSII-10LHM*

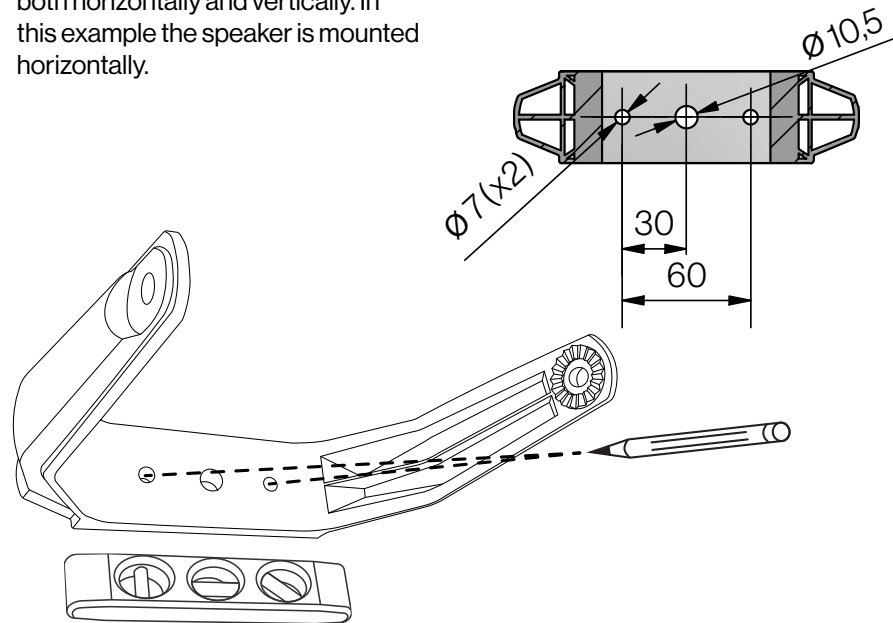


## Mounting & Installation of ELSII-10HM / ELSII-10LHM

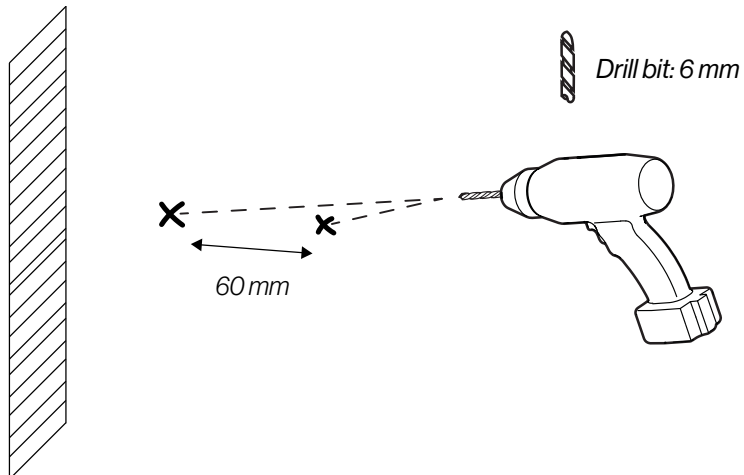
Mount the speaker at a height between 1,5-3 m for optimal placement of the speaker microphones' ability to detect voices.



- 1** Unscrew the **ELSII-10HM/ELSII-10LHM** from the mounting bracket, and place the bracket on the specified location. The speakers can be mounted both horizontally and vertically. In this example the speaker is mounted horizontally.



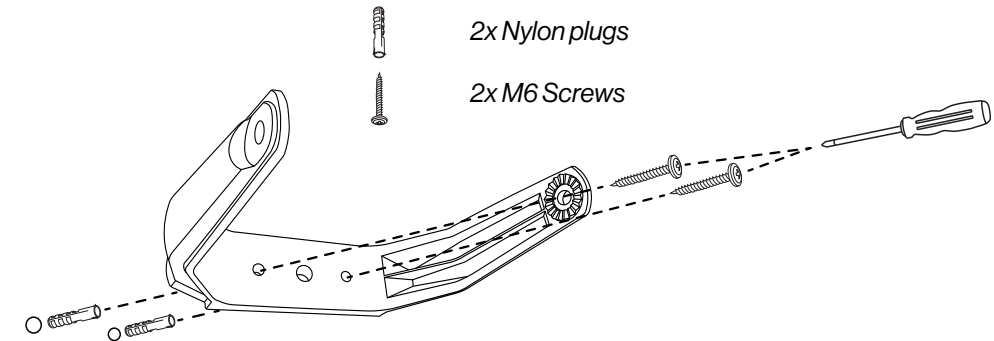
**2**



- 3**  **Due to the bracket material, use as low a tightening torque as possible when mounting the unit to the surface (1.5 Nm max.)**

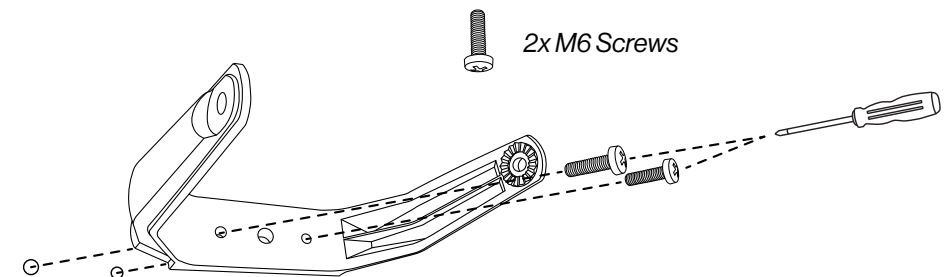
**Wall mounting - recommended screws:**

Pan Head DIN7981 for plug (Dry wall/ Concrete) or wooden wall, etc. Head diameter: 12,5 M6x 38 or 45 mm

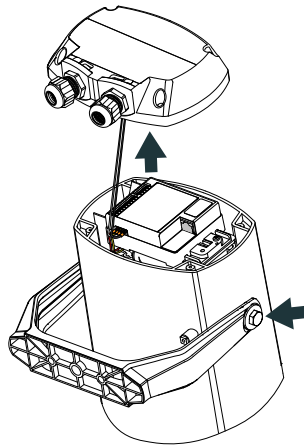


**Mounting Plate or Column - recommended screws:**

M6 x 20 or 25 with Philips head DIN7985 or Torx, head diameter: 12 mm.



- 4 Fasten the speaker to the mounting bracket. Then remove the back plate on the speaker.



- 5 1. Run an Ethernet cable through the cable gland on the back plate, and terminate the cable to a RJ45 connector.  
2. Insert the Ethernet cable into the **TKIS Kit** Ethernet port.



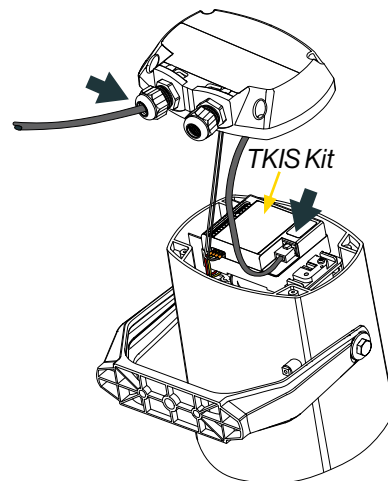
**The speaker must be installed using a shielded Ethernet cable with grounding at the switch end.**

**Cable Gland:**

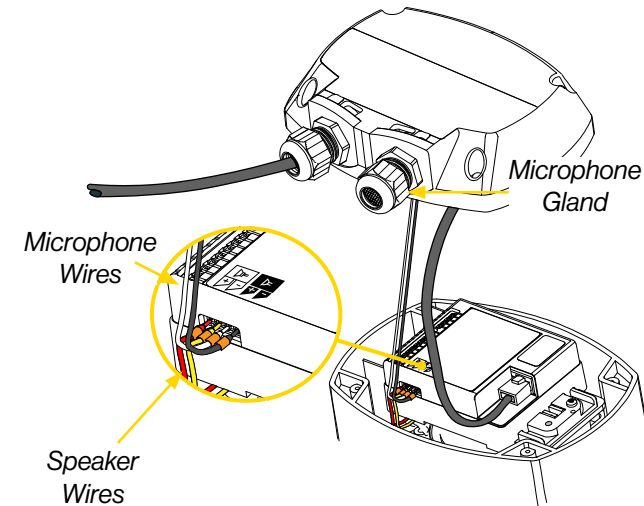
M20, clamping range of 5-12 mm.



**To guarantee the IP-66 rating, use a cable with Ø 5-6 mm.**



- 6 Verify that microphone and speaker wires are correctly connected.



**Speaker**

+	Red
-	Yellow

**Microphone**

+	White
-	Black

- 7 1. Reattach the back plate.

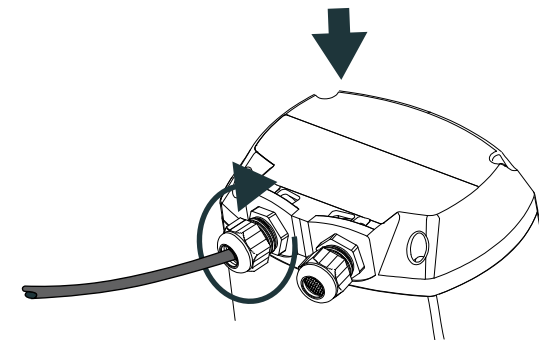


**To maintain the IP-66 rating on the speaker, use a tightening torque of 0,8 Nm.**

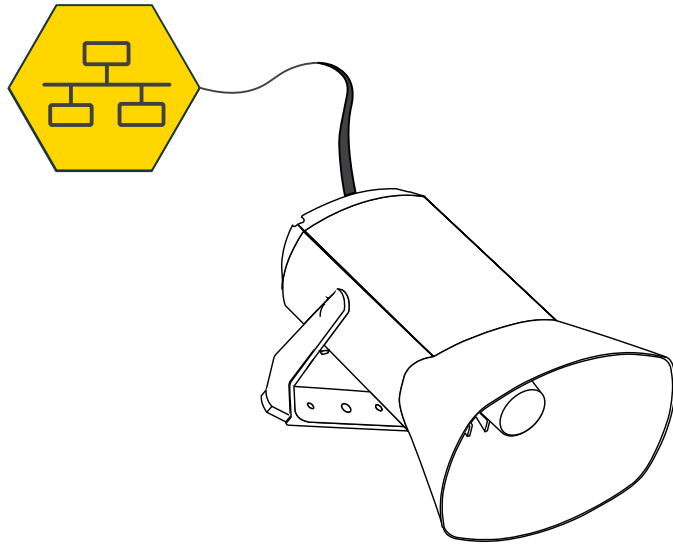
2. Tighten the cable gland. Use a suitable tool when tightening the cap nut of the cable gland to prevent the gland from twisting.



**Use a tightening torque of 4-5 Nm on the cable gland to maintain the IP-66 rating on the speaker.**



8 Connect the speaker to the network.



9 The speaker can operate in three different modes, depending on what kind of server it should register to. Scan the QR-codes below according to what mode you need to configure.

SIP Mode



ICX - AlphaCom



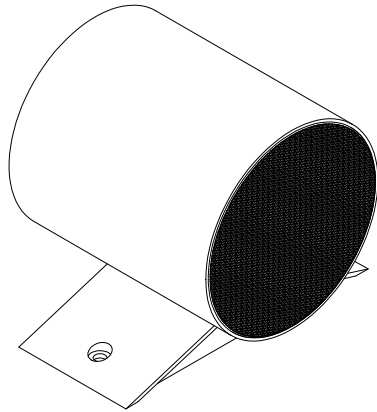
Edge Mode



Technical specifications	Value
IP Rating	IP 66
Relative humidity	< 95% not condensing
Operating temperature range	-40° to 70° C / -40° to 158 ° F
Encapsulation material	ASA plastic
PoE (power over Ethernet)	IEEE 802.3af standard, Class 0 (0.44W to 12.95 W)
Power consumption	Idle 1.8W, max 12W (depending on volume)
Cable Gland (Ø)	1xM20 (20 mm)
ELSII-10HM	
Value	
Weight	1.65 kg
Dimensions (HxWxD)	144 x 186 x 207 mm
ELSII-10LHM	
Value	
Weight	1.9 kg
Dimensions (HxWxD)	274 x 200 x 348 mm

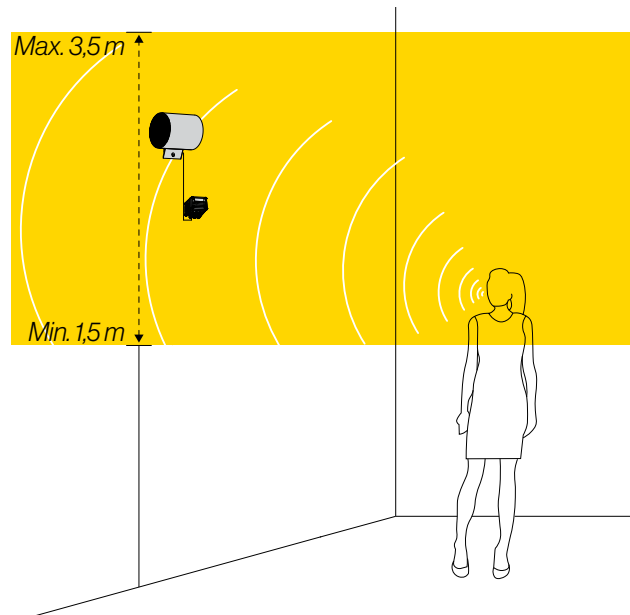
### 3 ELSII-10PM

ELSII-10PM

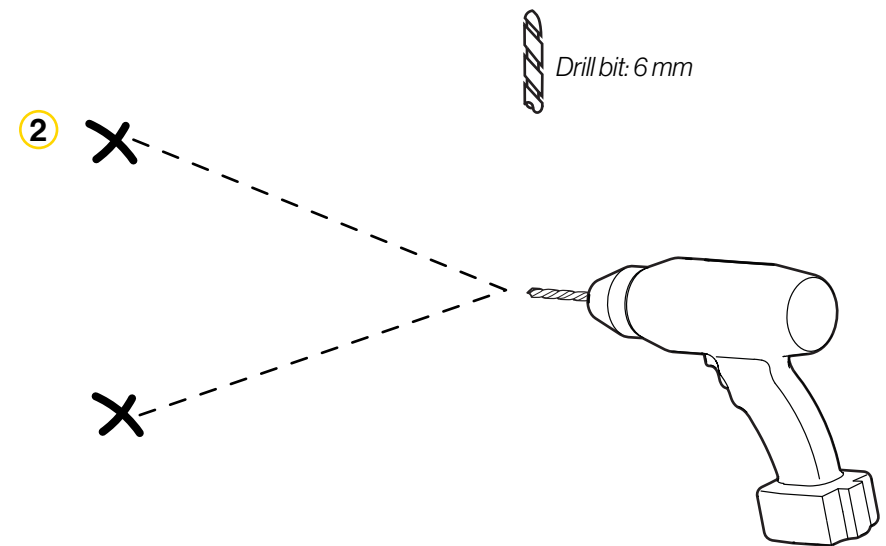
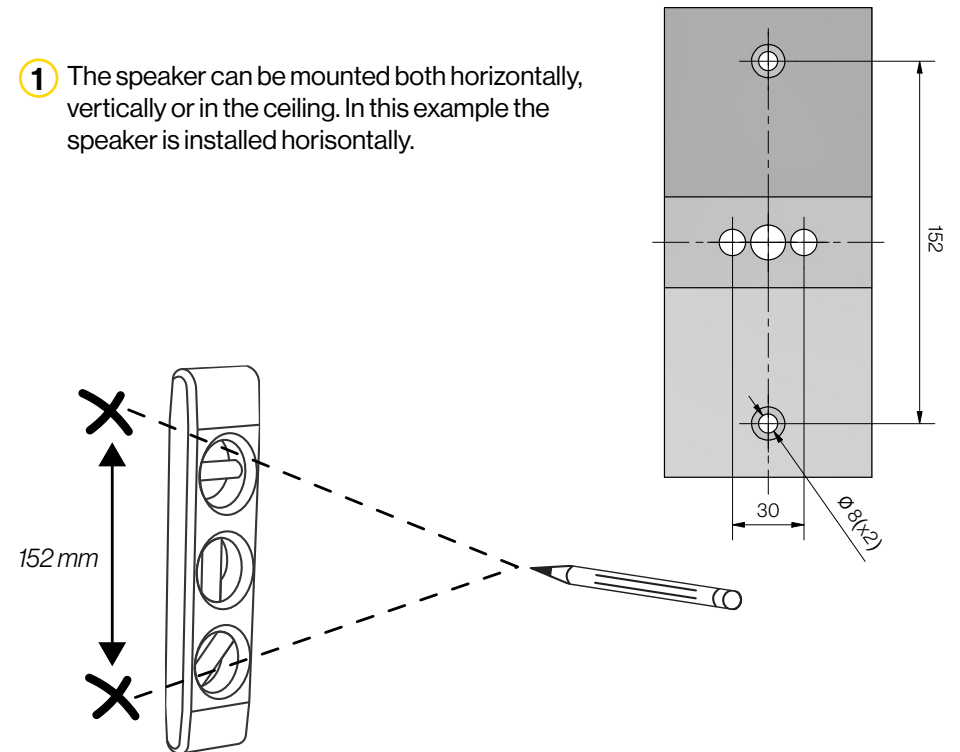


#### Mounting & Installation of ELSII-10PM

The speaker's microphone is located on the junction box. The junction box must therefore be mounted at a height of 1,5-3m with the microphone turning down for optimal placement. The speaker can be placed in the range of 1,5-3,5 meters.



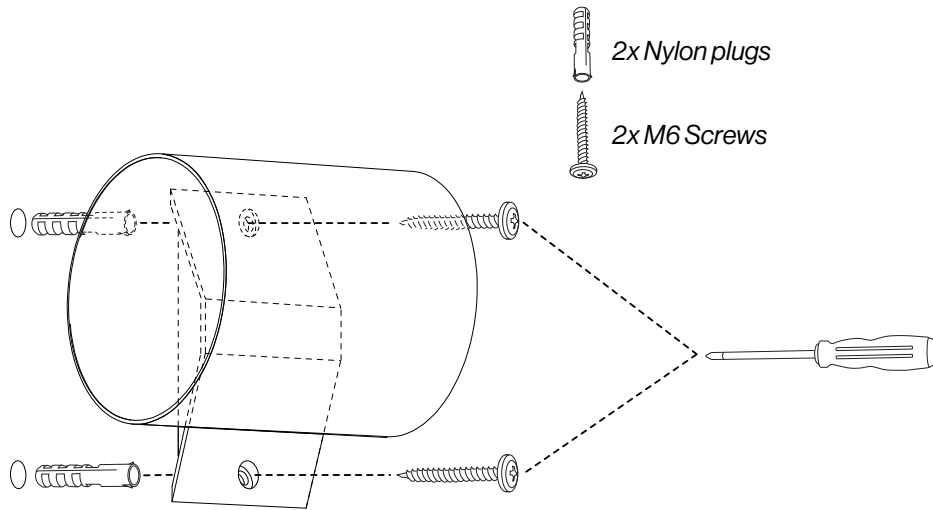
1 The speaker can be mounted both horizontally, vertically or in the ceiling. In this example the speaker is installed horizontally.



- 3** When mounting the unit to the surface, do not use more than **2,5 Nm torque** when fastening the speaker.

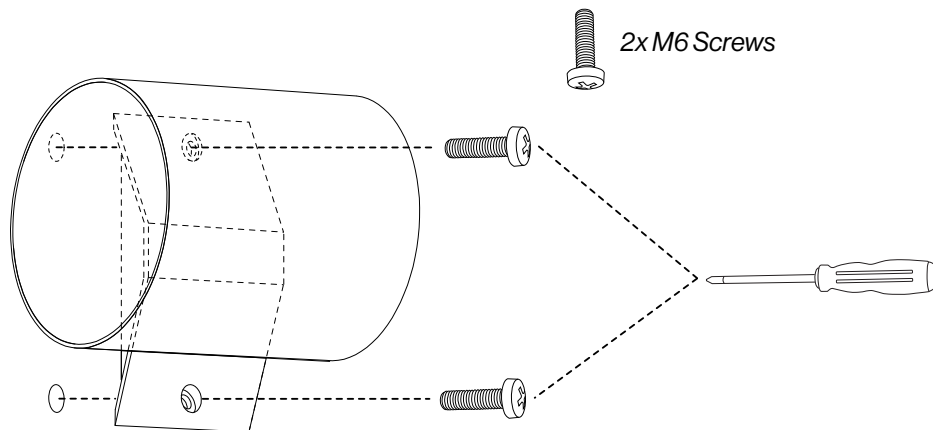
**Wall - recommended screws:**

Pan Head DIN7981 for plug (Dry wall/ Concrete) or wooden wall, etc. Head diameter: 12,5 M6.3x 38 or 45 mm

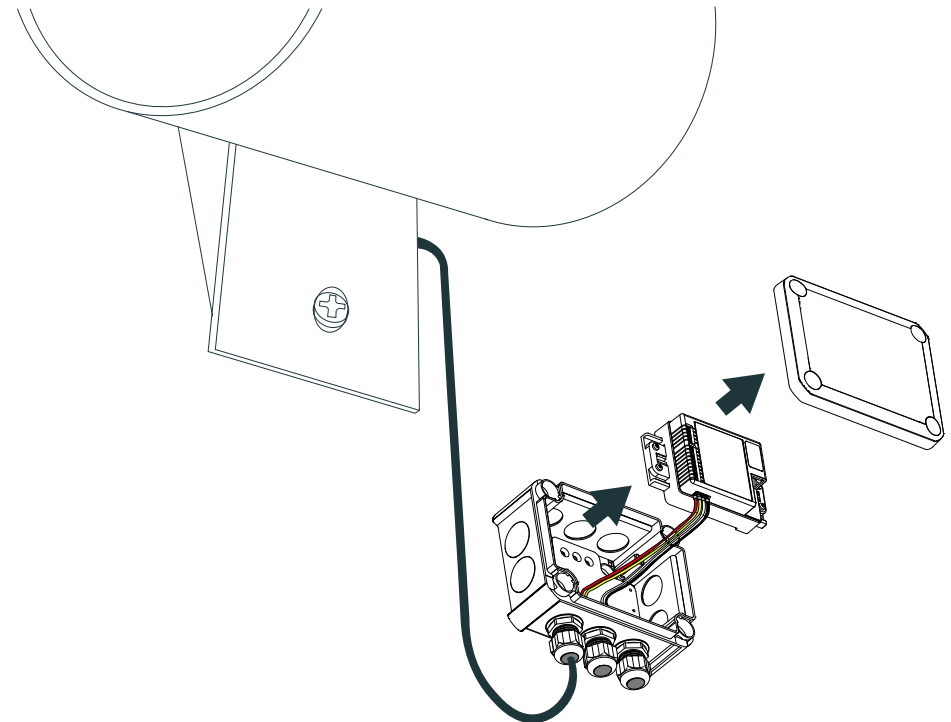


**Mounting Plate or Column - recommended screws:**

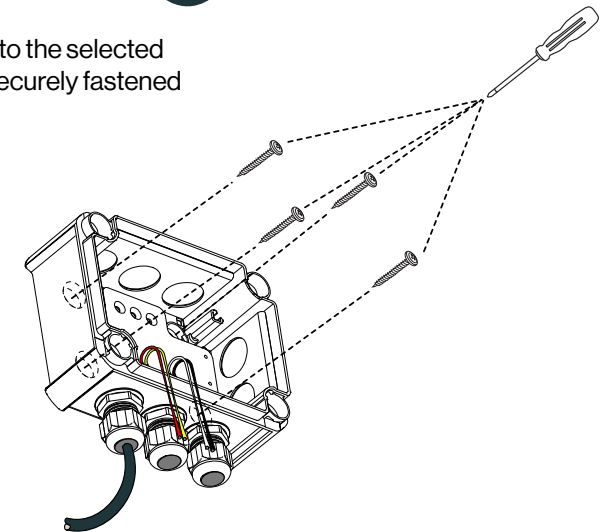
M6 x 20 or 25 with Philips head DIN7985 or Torx, head diameter: 12 mm.



- 4** When the speaker is mounted, open the **Junction Box**. Remove lid and remove the **TKIS Kit** inside.

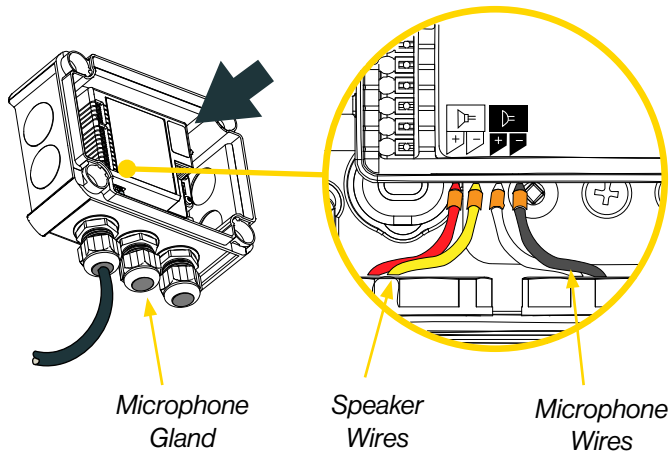


- 5** Screw the **Junction Box** to the selected location. Make sure it is securely fastened to the surface.





- 6 Reattach the **TKIS Kit** in the junction box, and verify that microphone and speaker wires are correctly connected.



Speaker	
+	Red
-	Yellow

Microphone	
+	White
-	Black

- 7
1. Run an Ethernet cable through the cable gland on the back plate, and terminate the cable to a RJ45 connector.
  2. Insert the Ethernet cable into the **TKIS Kit** Ethernet port.



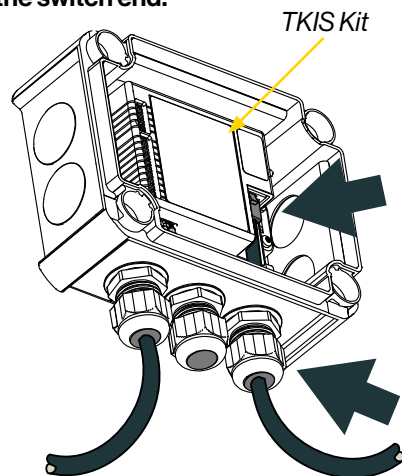
The speaker must be installed using a shielded Ethernet cable with grounding at the switch end.

**Cable Gland:**

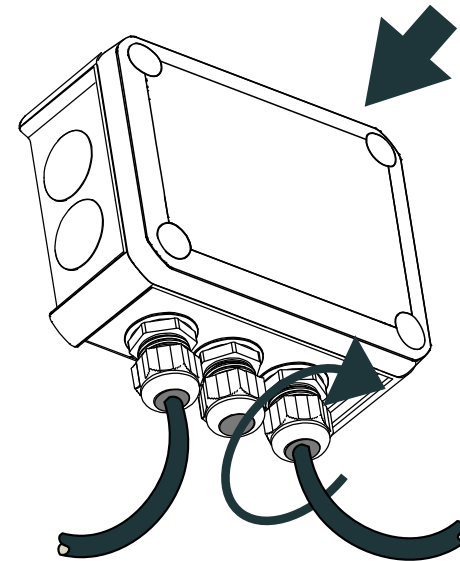
M20, clamping range of 5-12 mm.



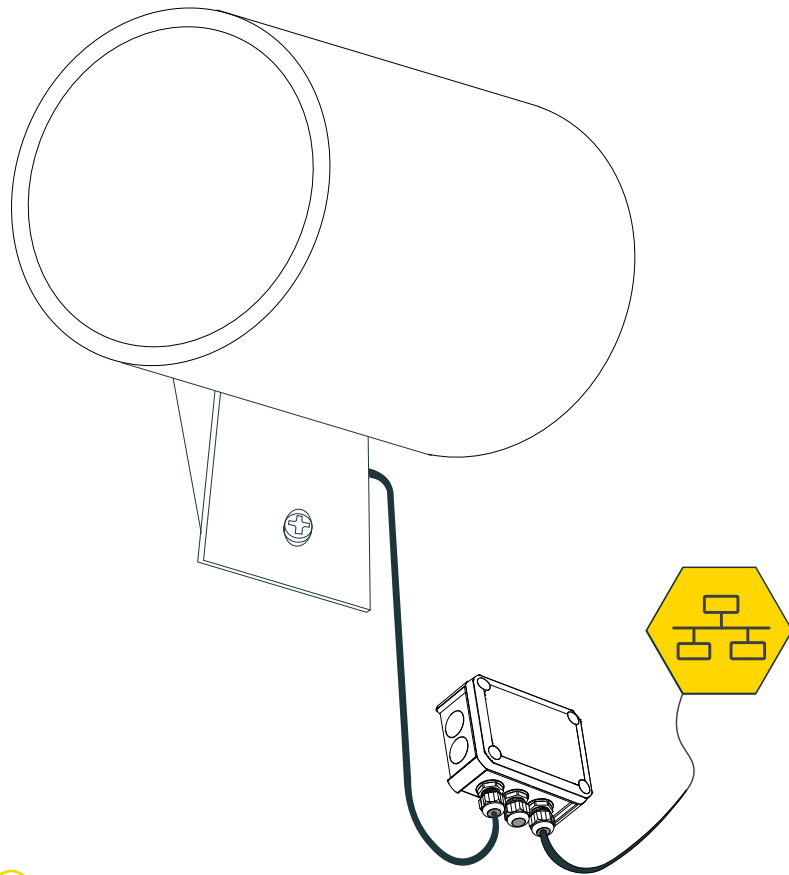
To guarantee the IP-66 rating, use a cable with Ø 5-6 mm.



- 8
1. Attach and fasten the lid.
  2. Make sure to tighten the cable gland sufficiently to attain IP-66 rating for watertightness, but be aware of plastic material limitations.
- In order to ensure the required minimum degree of protection, the cable glands must be tightened securely.
  - When tightening the cap nut of a cable gland, a suitable tool shall be used to prevent the gland from twisting.



- 8 Connect the speaker to the network.



- 9 The speaker can operate in three different modes, depending on what kind of server it should register to. Scan the QR-codes below according to what mode you need to configure.

SIP Mode



ICX - AlphaCom



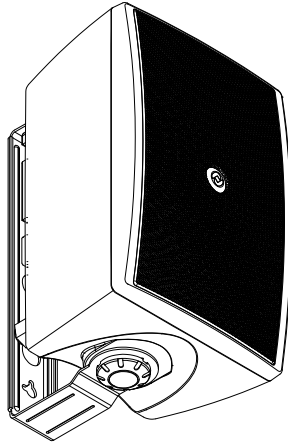
Edge Mode



Technical specifications	Value
Weight	2.35 kg
Dimensions (HxWxD)	176 x 201 x 160 mm
IP Rating	IP 66
Relative humidity	< 95% not condensing
Operating temperature range	-40° to 70° C / -40° to 158° F
Encapsulation material	Aluminium
PoE (power over Ethernet)	IEEE 802.3af standard, Class 0 (0.44W to 12.95 W)
Power consumption	Idle 1.8W, max 12W (depending on volume)
Cable Gland (Ø)	2xM20 (20 mm)

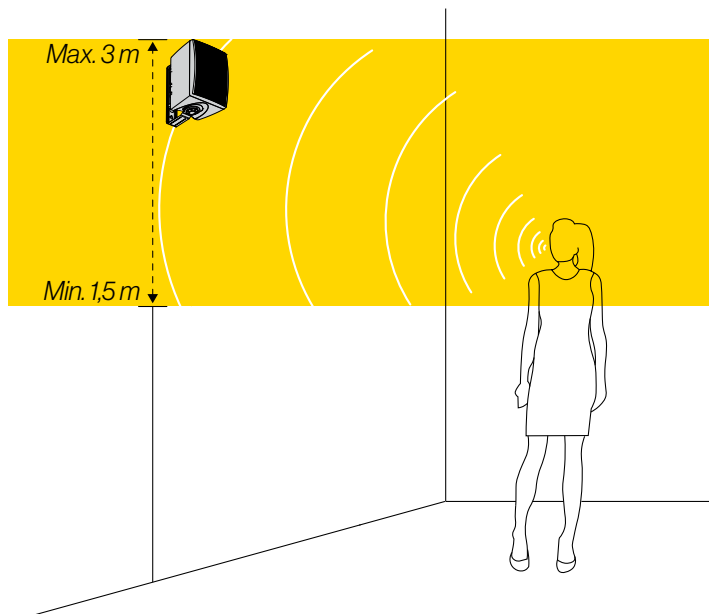
## 4 ELSII-10WM

ELSII-10WM

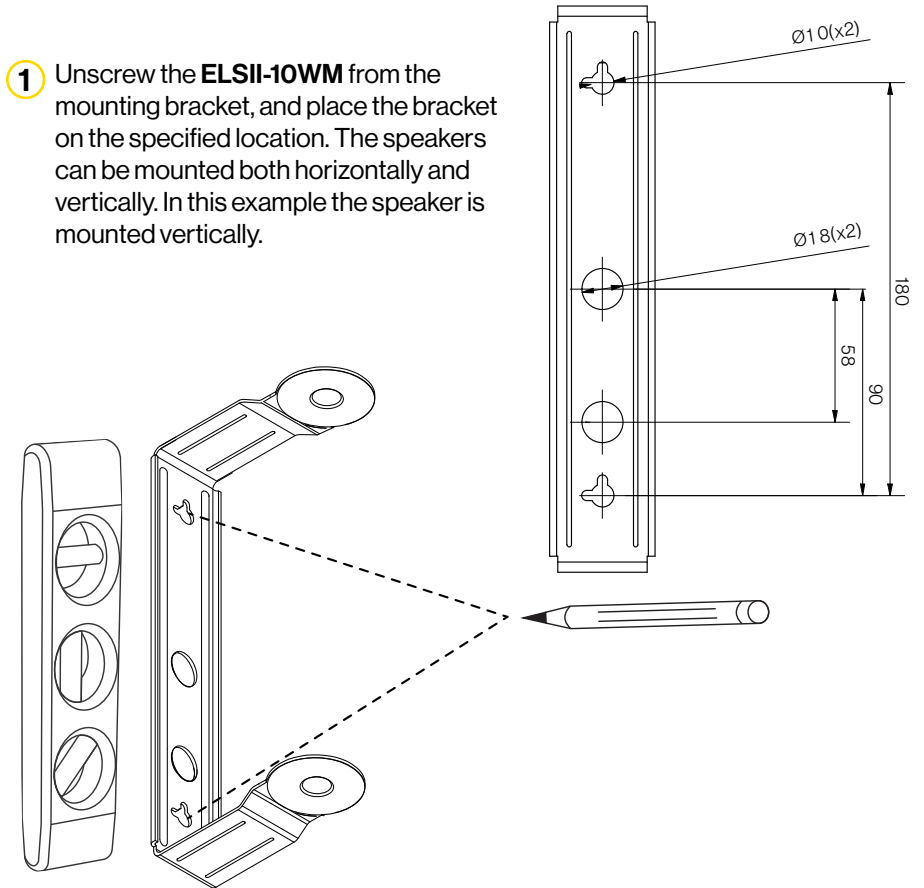


### Mounting & Installation of ELSII-10WM

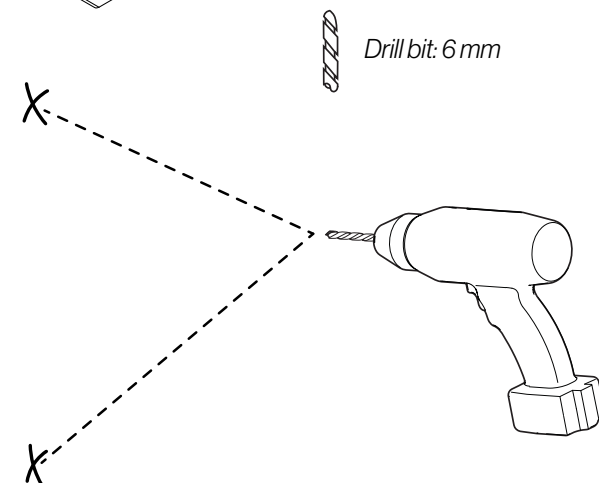
Mount the speaker at a height between 1,5-3 m for optimal placement of the speaker microphones' ability to detect voices.



- 1 Unscrew the **ELSII-10WM** from the mounting bracket, and place the bracket on the specified location. The speakers can be mounted both horizontally and vertically. In this example the speaker is mounted vertically.



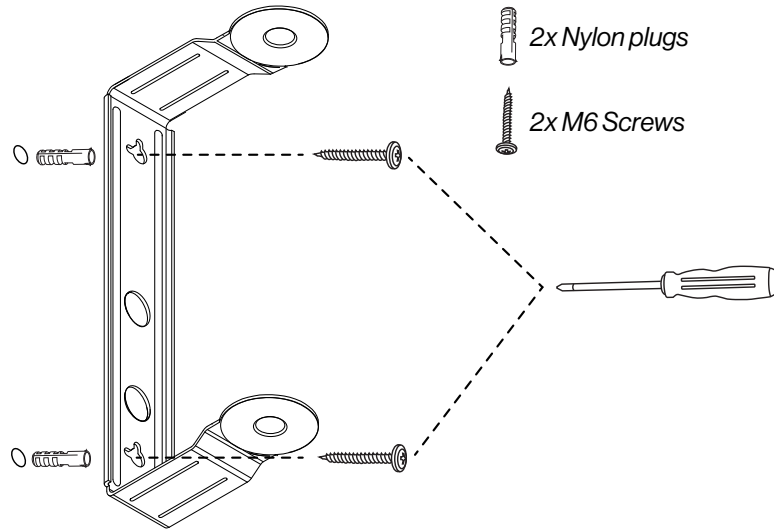
- 2



- 3 When mounting the unit to the surface, do not use more than **2,5 Nm torque** when fastening the bracket.

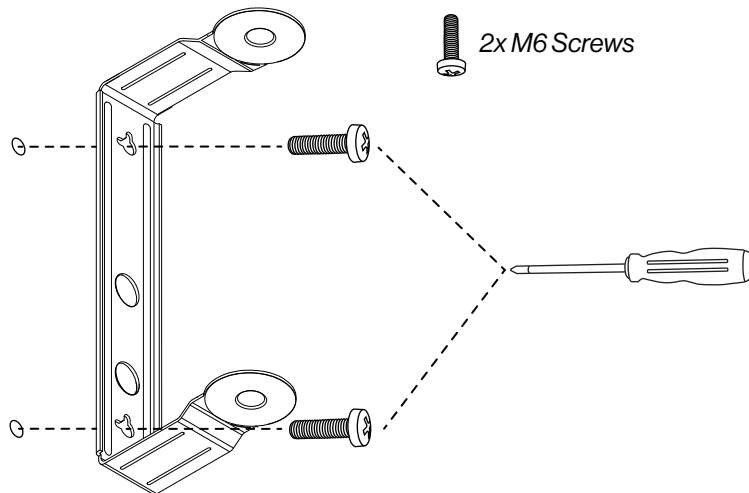
**Wall - recommended screws:**

Pan Head DIN7981 for plug (Dry wall/ Concrete) or wooden wall, etc. Head diameter: 12,5 M6.3x 38 or 45 mm

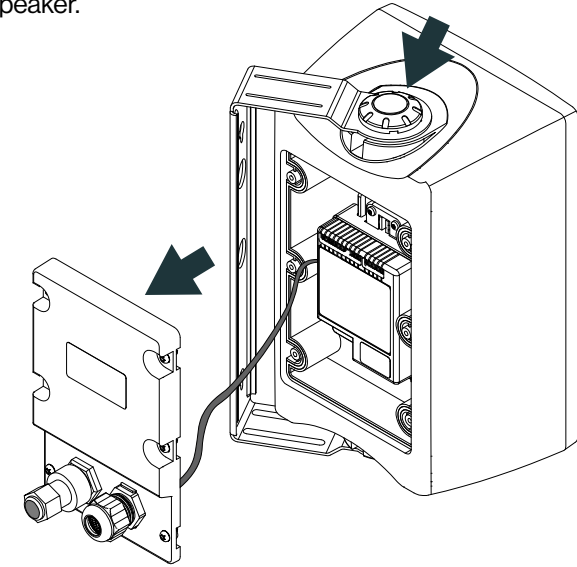


**Mounting Plate or Column - recommended screws:**

M6 x 20 or 25 with Philips head DIN7985 or Torx, head diameter: 12 mm.



- 4 Fasten the speaker to the mounting bracket. Then remove the back plate on the speaker.



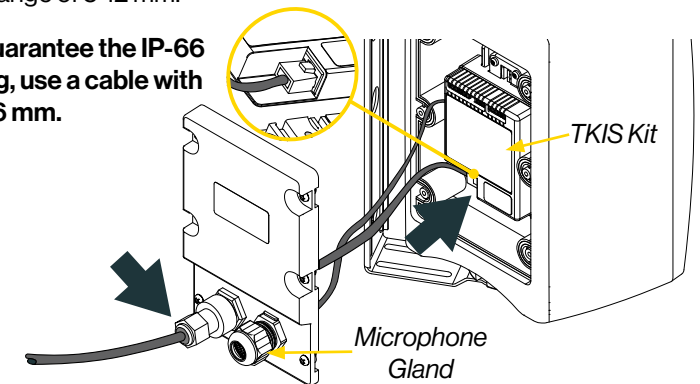
- 5 1. Run an Ethernet cable through the cable gland on the back plate, and terminate the cable to a RJ45 connector.  
2. Insert the Ethernet cable into the **TKIS Kit** Ethernet port.

**WARNING!** The speaker must be installed using a shielded Ethernet cable with grounding at the switch end.

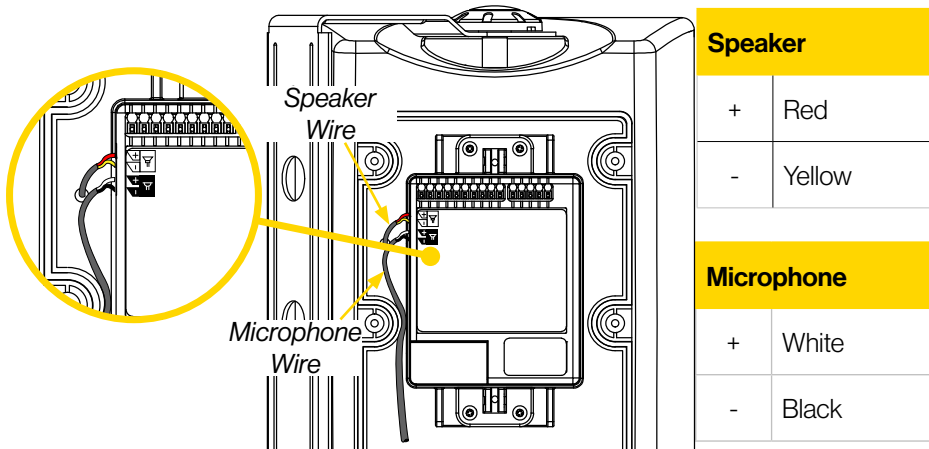
**Cable Gland:**

M20, clamping range of 5-12 mm.

**WARNING!** To guarantee the IP-66 rating, use a cable with Ø 5-6 mm.



6 Verify that microphone and speaker wires are correctly connected.

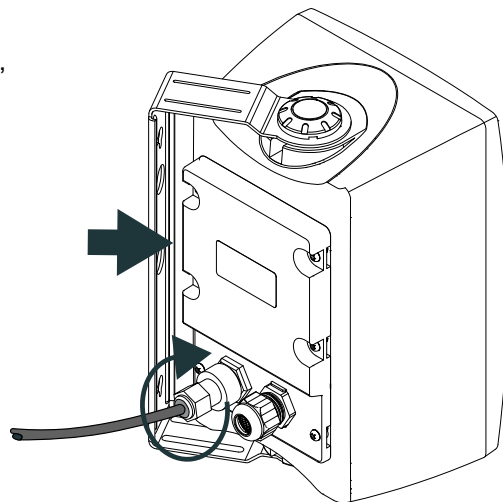


7 1. Reattach the back plate

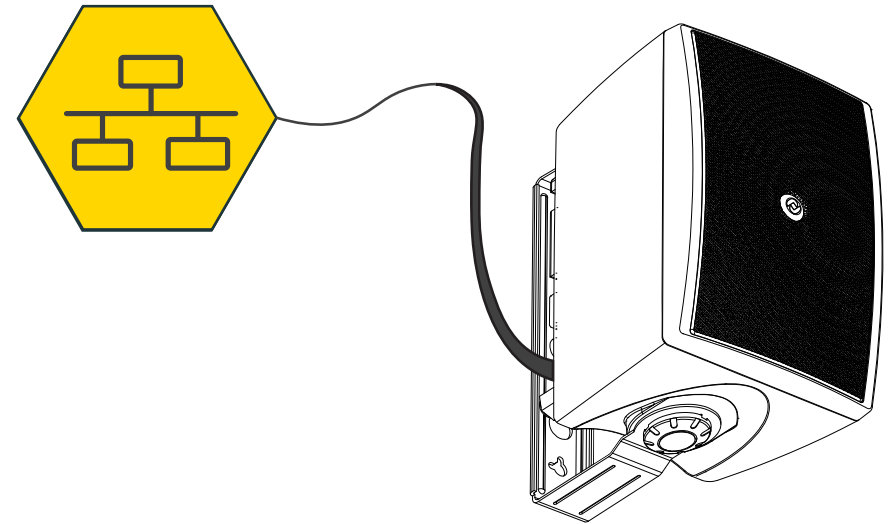


To maintain the IP-66 rating on the speaker, use a tightening torque of 0,8 Nm.

2. Make sure to tighten the cable gland sufficiently to attain IP-66 rating for watertightness, but be aware of plastic material limitations.
  - In order to ensure the required minimum degree of protection, the cable glands must be tightened securely.
  - When tightening the cap nut of a cable gland, a suitable tool shall be used to prevent the gland from twisting.



8 Connect the speaker to the network.



9 The speaker can operate in three different modes, depending on what kind of server it should register to. Scan the QR-codes below according to what mode you need to configure.

SIP Mode



ICX - AlphaCom



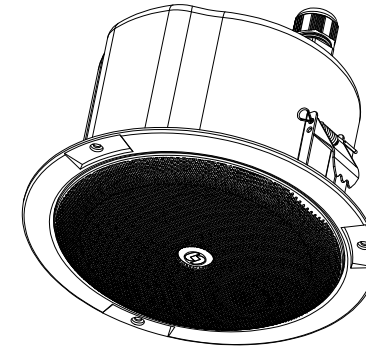
Edge Mode



Technical specifications	Value
Weight	2.1 kg
Dimensions (HxWxD)	245 x 160 x 187 mm
IP Rating	IP 66 + 67
Encapsulation material	Aluminium
Mounting	Aluminium, U Shaped Bracket,
Cable Gland (Ø)	1x M20 (20 mm)

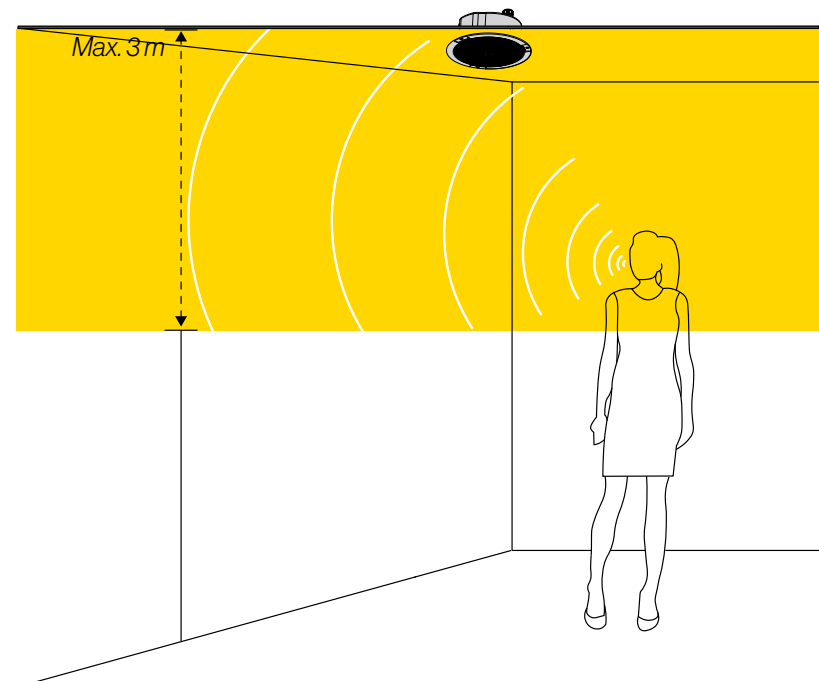
## 5 ELSIR-10CM

ELSIR-10CM

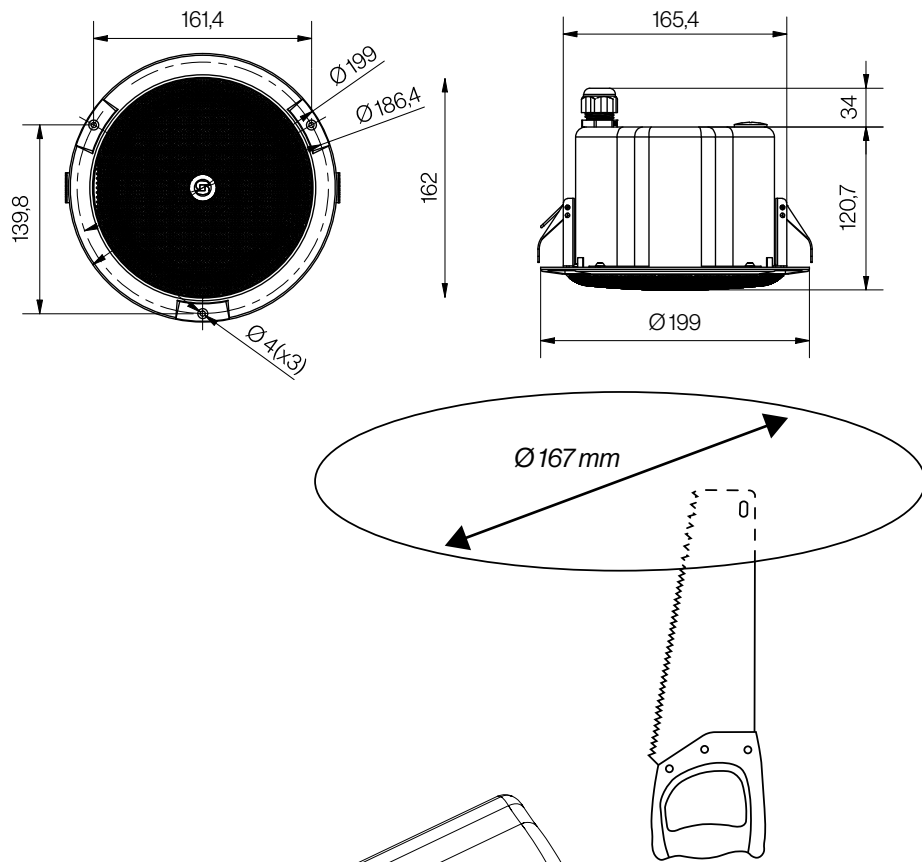


### Mounting & Installation of ELSIR-10CM

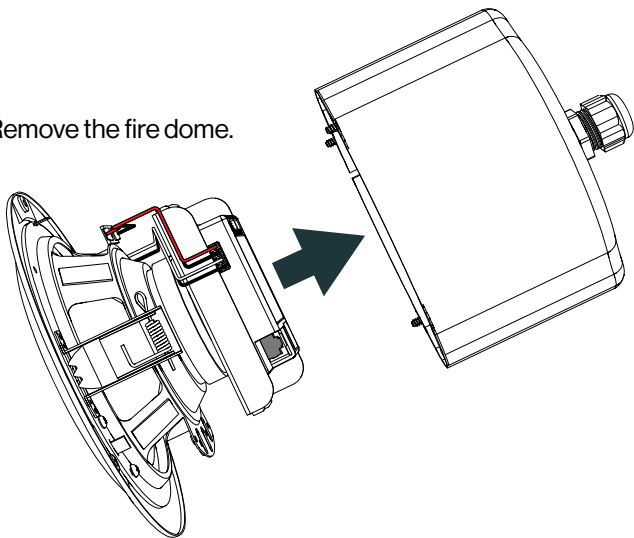
Mount the speaker in the ceiling at the maximum height of 3 meters. Mounting above 3 meters deteriorates the speaker microphones' ability to detect voices.



- 1 Cut a hole in the ceiling where the speaker is to be mounted. Make sure there is at least 10mm clearing over the speaker.



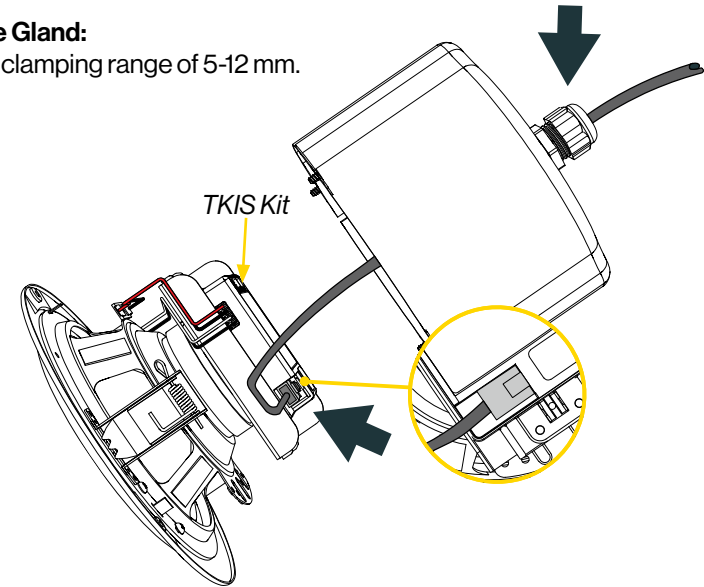
- 2 Remove the fire dome.



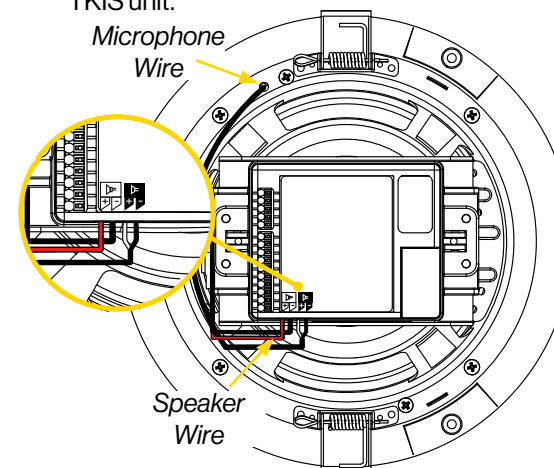
- 3 Make sure an Ethernet cable is available through the ready made hole.

1. Run the cable through the cable gland on the fire dome, and terminate the cable to a RJ45 connector.
2. Insert the Ethernet cable into the **TKIS Kit** Ethernet port.

**Cable Gland:**  
M20, clamping range of 5-12 mm.

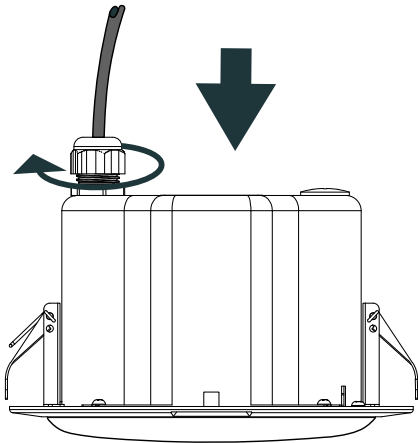


- 4 Verify that microphone and speaker wires are correctly connected to the TKIS unit.

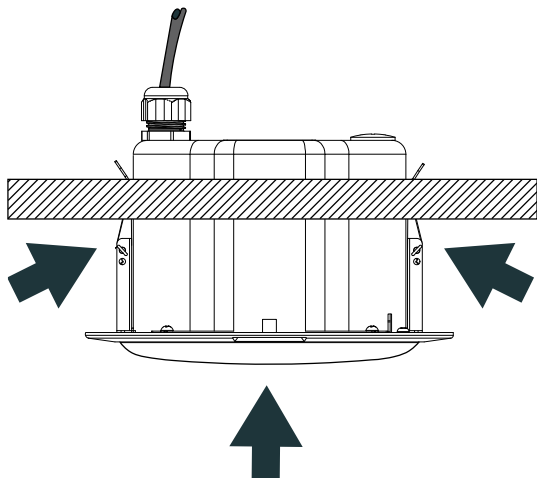


Speaker	
+	Red
-	Black
Microphone	
+	White
-	Black

- 5 1. Reattach the fire dome
2. Make sure to tighten the cable gland sufficiently to attain IP-54 rating for watertightness, but be aware of plastic material limitations.
- In order to ensure the required minimum degree of protection, the cable glands must be tightened securely.
  - When tightening the cap nut of a cable gland, a suitable tool shall be used to prevent the gland from twisting.



- 6 Insert the speaker into the opening. Make sure the side clamps are held in an upright position.



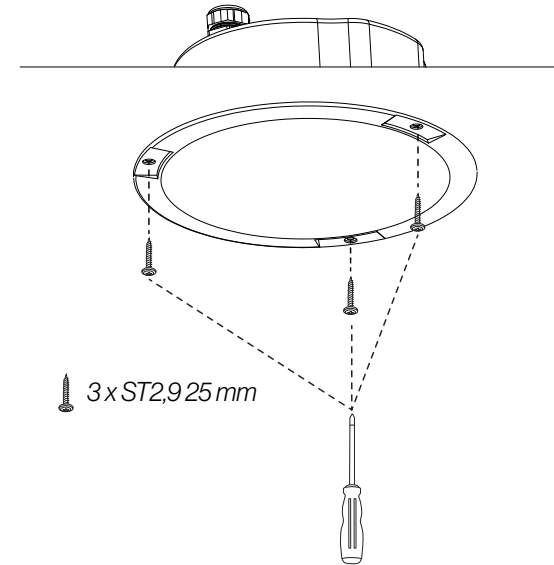
- 7 Use the included screws to secure the speaker to the ceiling.



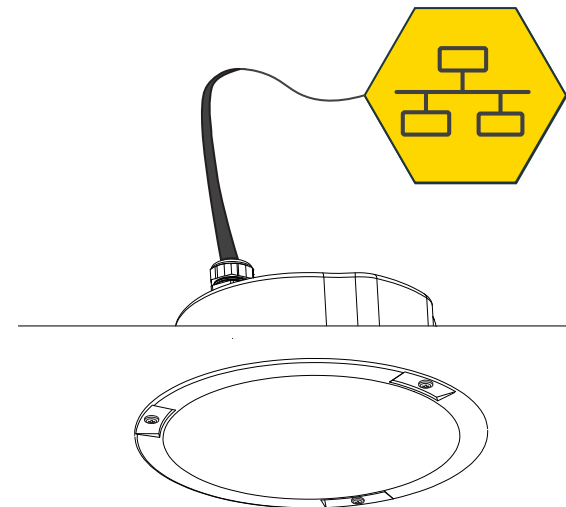
**Due to the speaker material, use as low a tightening torque as possible when mounting the unit to the surface (1.5 Nm max.)**



**Using screws on the speaker chassis will ground the unit.**



- 8 Connect the speaker to the network.





- 9 The speaker can operate in three different modes, depending on what kind of server it should register to. Scan the QR-codes below according to what mode you need to configure.

SIP Mode




ICX - AlphaCom



Edge Mode



Technical specifications	Value
Weight	1,2 kg
Dimensions (diameter x depth)	199 x 146 mm
IP Rating	IP 54
Relative humidity	< 95% not condensing
Operating temperature range	-40° to 70° C / -40° to 158° F
Encapsulation material	ASA Plastic
PoE (power over Ethernet)	IEEE 802.3af standard, Class 0 (0.44W to 12.95 W)
Power consumption	Idle 1.8W, max 12W (depending on volume)
Cable Gland (Ø)	1xM20 (20 mm)

 **The WEEE Directive does not legislate that Zenitel, as a 'producer', shall collect 'end of life' WEEE.**

**This 'end of life' WEEE should be recycled appropriately by the owner who should use proper treatment and recycling measures. It should not be disposed to landfill.**

Many electrical items that we throw away can be repaired or recycled. Recycling items helps to save our natural finite resources and also reduces the environmental and health risks associated with sending electrical goods to landfill.



Under the WEEE Regulations, all new electrical goods should now be marked with the crossed-out wheeled bin symbol shown.

Goods are marked with this symbol to show that they were produced after 13th August 2005, and should be disposed of separately from normal household waste so that they can be recycled.



**zenitel**

because communication is critical

**Hear, be heard, and be understood**  
– every time and everywhere

DOC. NO.

**A100K12150**

**[customer.service@zenitel.com](mailto:customer.service@zenitel.com)**



Zenitel and its subsidiaries assume no responsibility for any errors that may appear in this publication, or for damages arising from the information therein. Zenitel, Vingtor-Stentofon and Phontech products are developed and marketed by Zenitel. The company's Quality Assurance System is certified to meet the requirements in NS-EN ISO 9001. Zenitel reserves the right to modify designs and alter specifications without notice. ZENITEL PROPRIETARY. This document and its supplementing elements contain Zenitel or third-party information which is proprietary and confidential. Any disclosure, copying, distribution or use is prohibited, if not otherwise explicitly agreed in writing with Zenitel. Any authorized reproduction, in part or in whole, must include this legend: Zenitel – All rights reserved.