



ICX-510

# Mounting & Installation Manual

# About

This document serves as a basic mounting and installation guide for the ICX-510 Intelligent Communication Gateway.

The ICX-510 product package comprises the following components:

Item Number	Item Name	Description
1002000200	ICX-510	Intelligent Communication Gateway
1002500010	IA-RS1	Rack Shelf for ICX-500
1002500020	IA-MB1	Mounting Bracket for ICX-500
1002510000	IPS-AC1	PSU, Input 85-264 VAC, Output 48 VDC, DIN-Rail

# Safety information

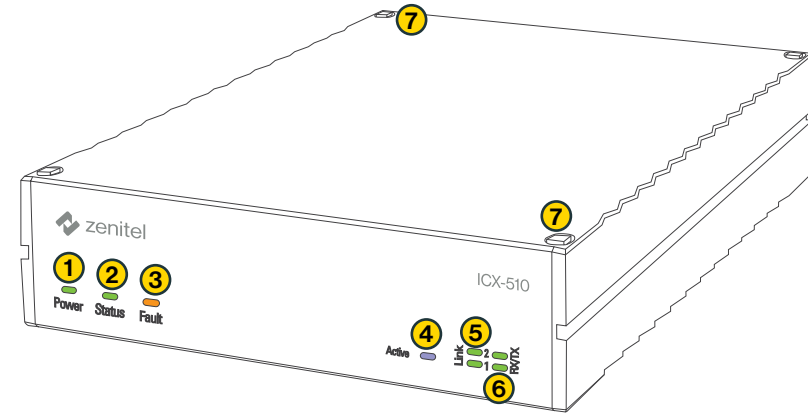
This manual describes the necessary steps to install the ICX-510. It contains important instructions that must be followed. ICX-510 must be installed by a trained technician in accordance with national and local regulations.

Zenitel takes no responsibility for damages caused by improper or inadequate mounting.

The ICX-510 is intended for use in restricted access areas for trained service personnel and/or operators, and is not to be installed in locations where children are likely to be present.

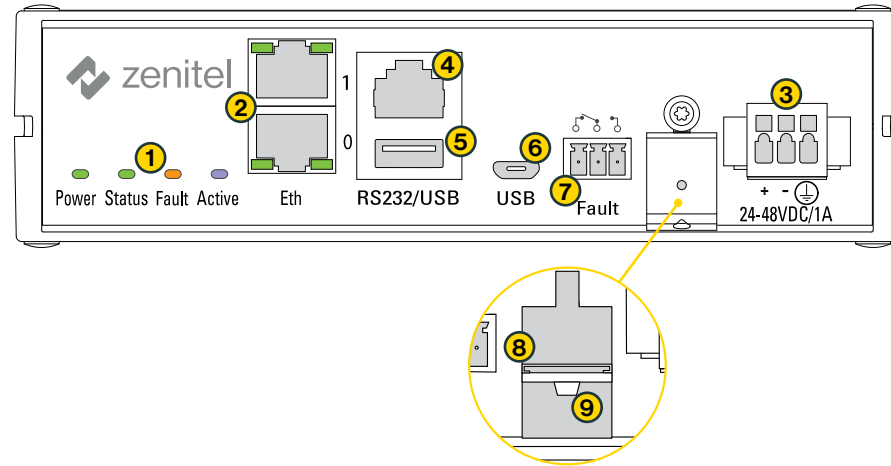
# Description

## Front View



Item	Description	Comment
1	Power LED	Steady green when power is applied to the ICX-510-IA
2	Status LED	Flashing green when the ICX-510-IA is running
3	Fault LED	Steady amber when the system reports an error. The LED will be lit during application or system reset, or if there is a temperature alarm.
4	Active LED	Steady blue when the ICX-510-IA is operational. In a system with redundant servers, the Active LED will be lit on the operational gateway, and not lit on the standby gateway
5	Link LED	Steady green when the Ethernet link 0 or 1 is up. There is one LED for each Ethernet port
6	RX/TX LED	Flashing when receiving or transmitting data on Ethernet port 0 or 1.
7	Securing hole	2 x screw holes, diagonally placed, for M4 screws. Used for rack mounting

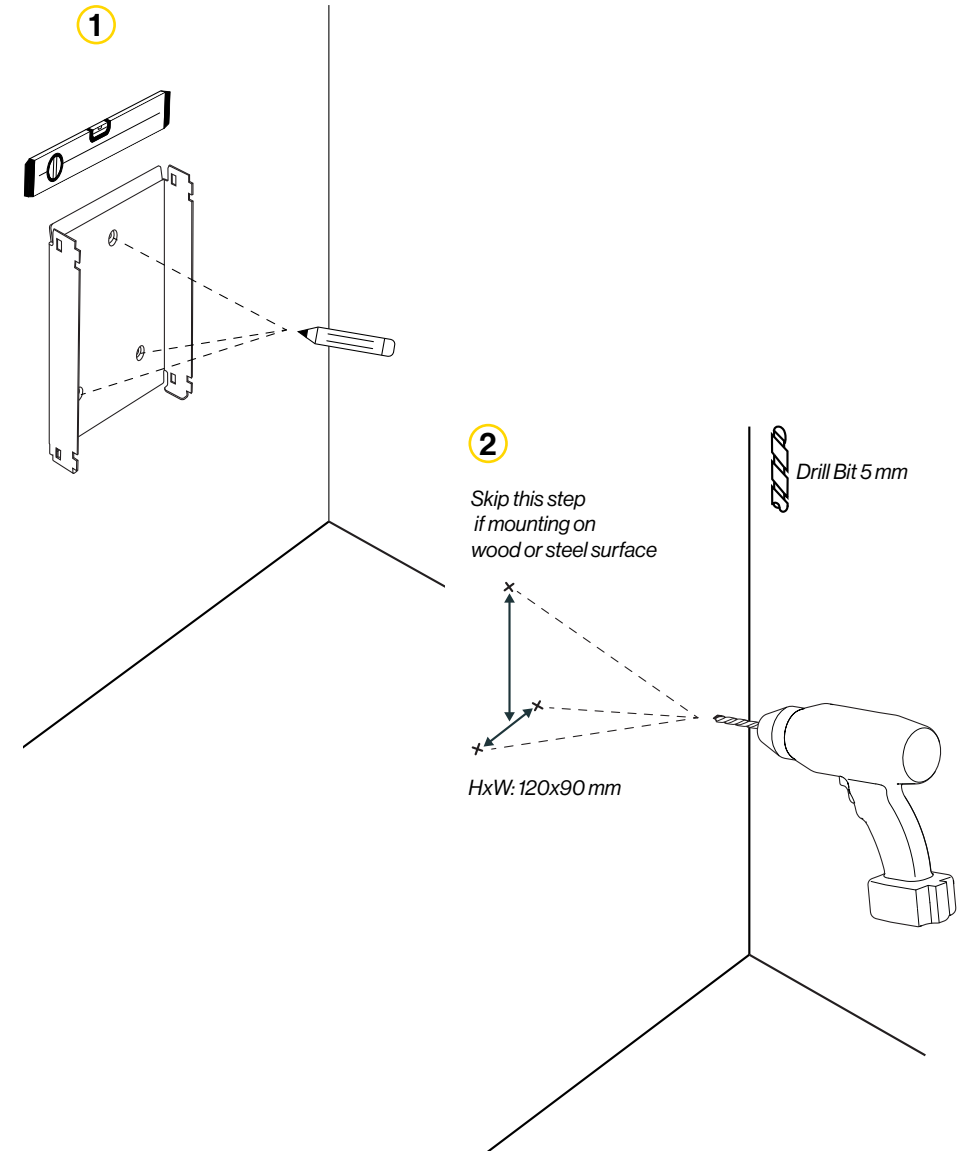
## Rear View



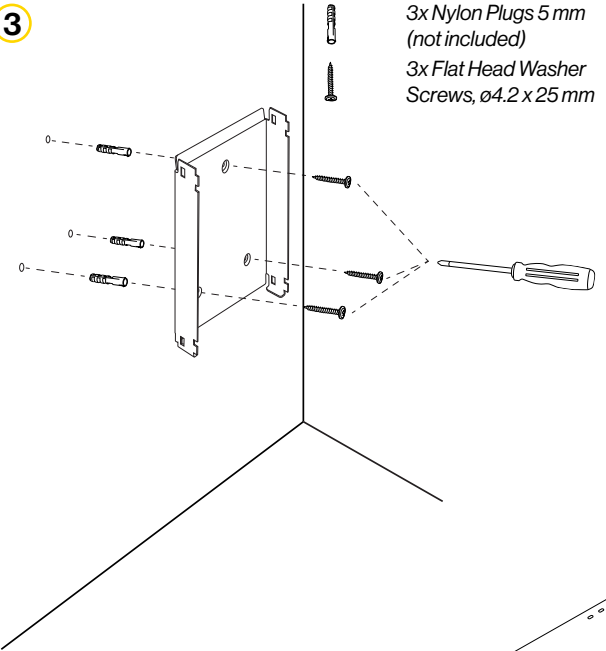
Item	Description	Comment
1	Status LEDs	Indicates the same as the LED lights on the front of the box.
2	Ethernet port	Eth0 / Eth1 Two 1 Gbps Ethernet interfaces. Each Ethernet port is equipped with LED indicators for link and activity.
3	Power in	24-48VDC ICX-510-IA is powered by a DC power supply with nominal voltage 24VDC or 48VDC (Min/Max: 20VDC-63VDC)
4	Console port RS232	RJ45 RS232 port is the RJ45 part of the dual connector RS232/USB. This is a console port for debugging purposes. Com parameters: 115.200 baud, 8 data bits, no parity, 1 stop bit.
5	USB A port	
6	USB Micro-B	
7	Fault Relay	3 pole terminal block Fault relay is used to indicate system status together with Fault LED
8	SD card slot	Used for external storage or system recovery
9	Factory Default Button	Tact switch Used for resetting ICX-510-IA to factory default settings

## Wall / shelf mounting

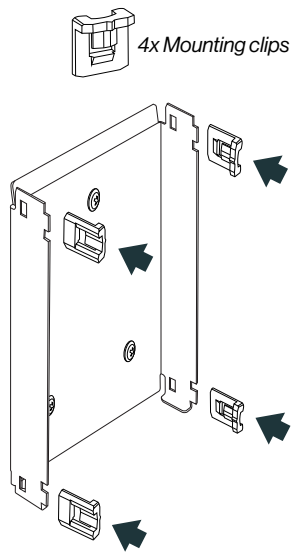
The ICX-510 can be mounted on any flat surface such as a wall or shelf using the **IA-MB1 Mounting Bracket**. The following example is the procedure for wall mounting.



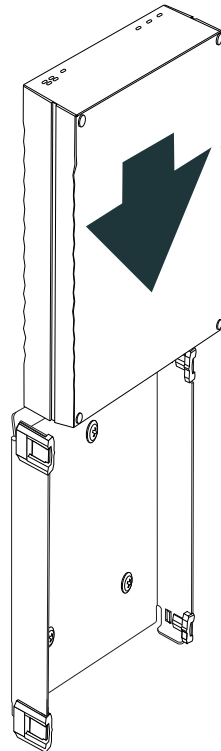
3



4



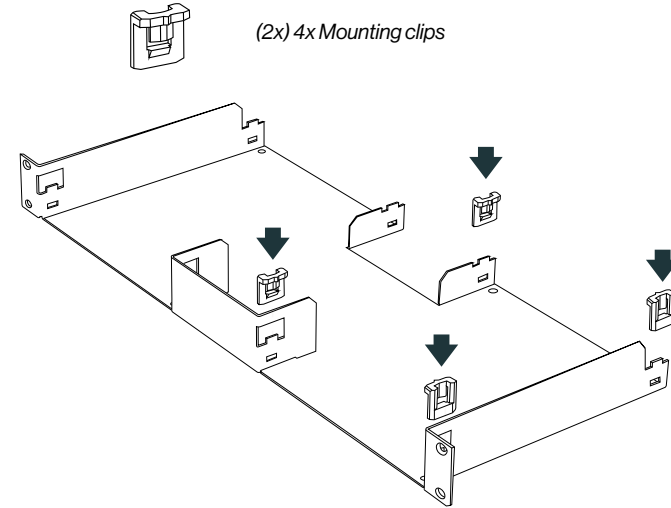
5



# Rack mounting

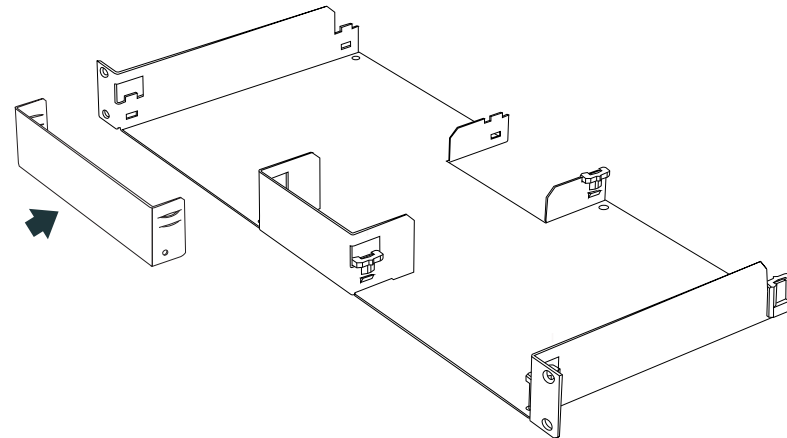
Use the **IA-RS1 Rack Shelf** when mounting the ICX-510 into a 19" 1HU rack. Two ICX-510 units can be placed side by side on the rack shelf.

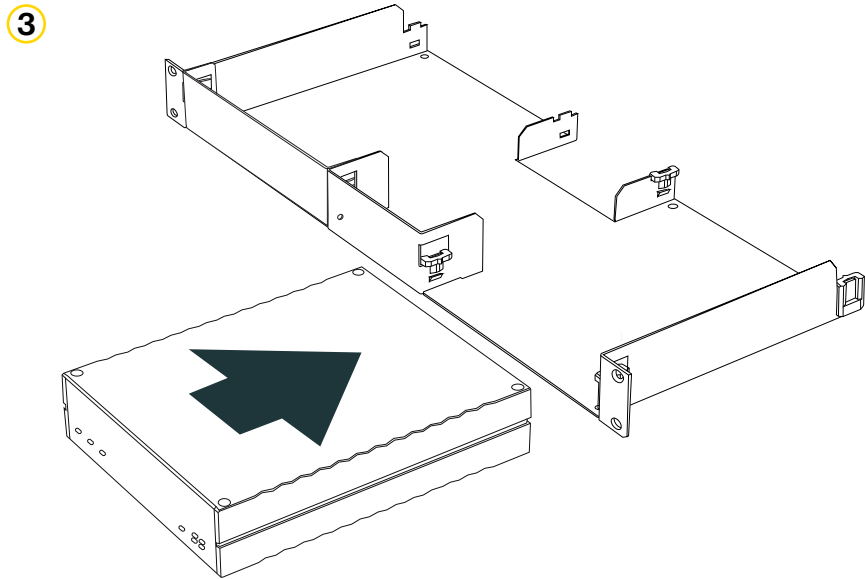
1




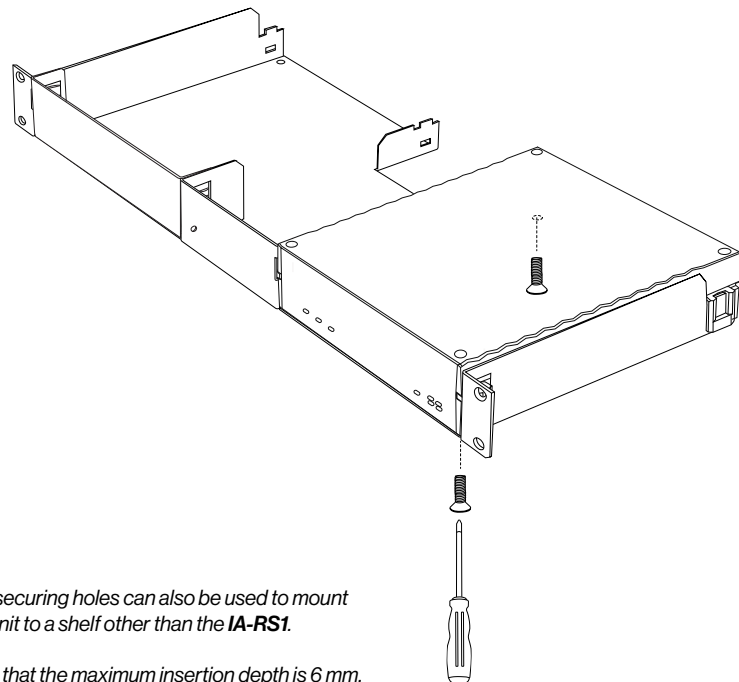
2

A blanking front can be inserted into the unused position if only one slot is required.





4  2x M4x8mm countersunk screws



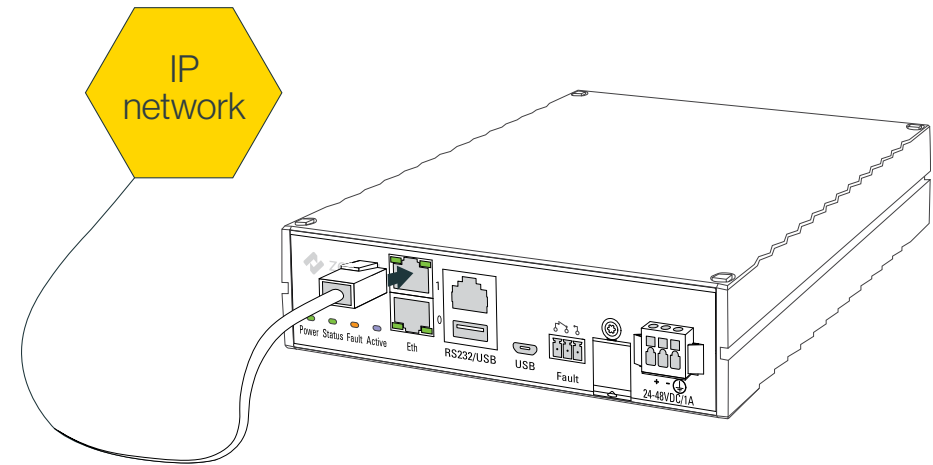
The securing holes can also be used to mount the unit to a shelf other than the IA-RS1.

Note that the maximum insertion depth is 6 mm.

# Installation

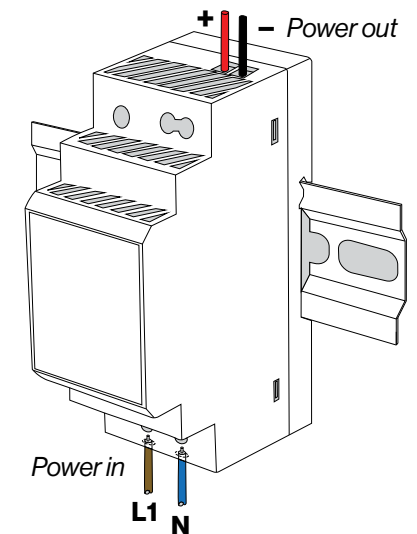
## 1 Network

Connect the ICX-510 to the IP network. Use an Ethernet cable. Connect the cable to **Ethernet Port 1**.



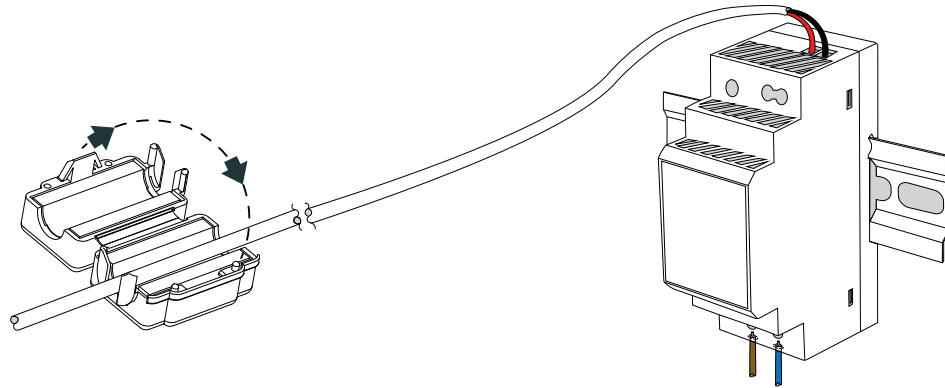
## 2 Power supply

Mount the **IPS-AC1** power supply on a DIN rail and terminate the power cables.



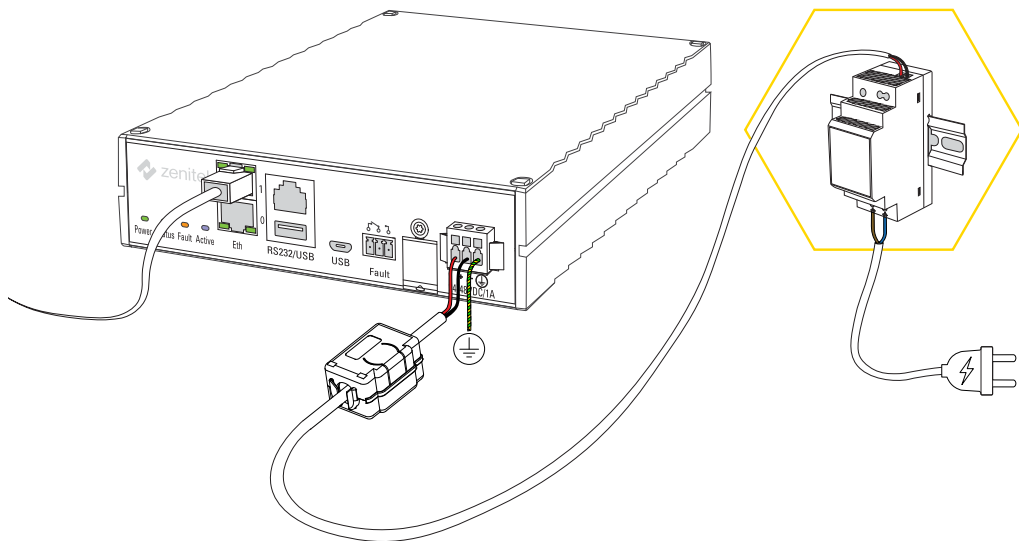
### 3 Ferrite

Before connecting the cable to the ICX-510, the included **Snap On Ferrite** (EMKOB99121) must be attached near the end of the cable.



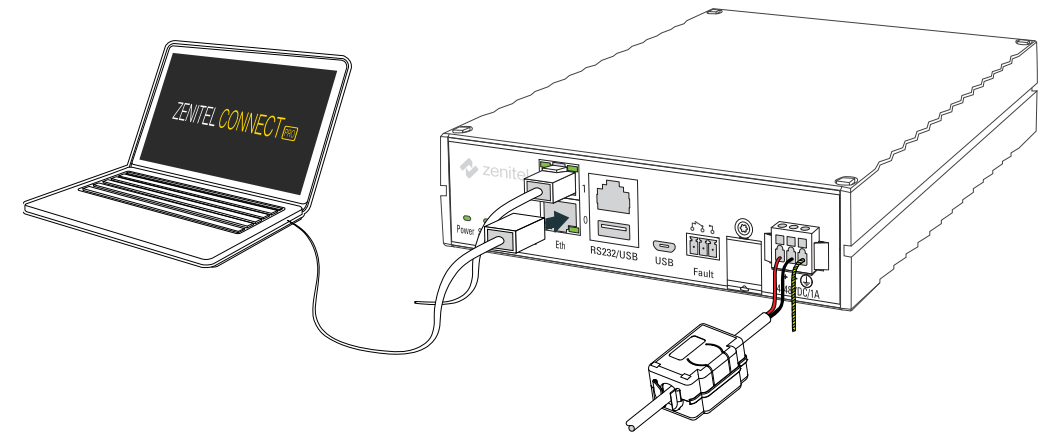
### 4 Connect the ICX-510

Connect the power cable to the ICX-510. Then connect the power supply to a 100-240VAC power source.



## Start up

- 1 **Power up the ICX-510.**
- 2 **Watch the LEDs.** During startup the Power LED and the Fault LED will be lit. When up and running, the green status LED will start flashing.
- 3 **Connect a laptop to Ethernet port 0.** Use an Ethernet cable.



- 4 **Connect to web server - Zenitel Connect Pro User Interface.** The ICX-510 comes with an embedded web server which provides functions for system configuration, monitoring and upgrade.

Open a web browser (e.g. Firefox or Chrome), and log to Zenitel Connect Pro using IP address **169.254.1.5**.

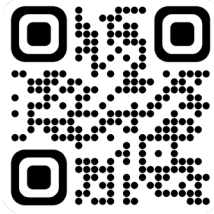
- 5 Enter the link or scan the QR-code below to go to Zenitel Wiki for configuration instructions.

Zenitel Wiki: [wiki.zenitel.com/wiki/Main\\_Page](http://wiki.zenitel.com/wiki/Main_Page).



# Contact Information

Visit [zenitel.com](http://zenitel.com) to find your country's contact information.



# Specifications

Technical specifications	Value
Weight	1kg / 2.2lbs
Dimensions (WxHxD)	162x44.5x200mm / 6.4"x1.75"x7.9"
Relative humidity	< 95% not condensing
Operating temperature range	-15° to 5° C / -40° to 131° F
Encapsulation material	Aluminium
Power	Nominal 24VDC - 48VDC, 15 W (min/ max: 20VDC-63VDC)

**CE** Zenitel hereby declares that this product is in compliance with the essential requirements and other relevant provisions of directive 2014/53/EU and all other applicable EU directive requirements. The complete declaration can be found at [www.zenitel.com](http://www.zenitel.com)

**!** **The WEEE Directive does not legislate that Zenitel, as a 'producer', shall collect 'end of life' WEEE.**

**This 'end of life' WEEE should be recycled appropriately by the owner who should use proper treatment and recycling measures. It should not be disposed to landfill.**

Many electrical items that we throw away can be repaired or recycled. Recycling items helps to save our natural finite resources and also reduces the environmental and health risks associated with sending electrical goods to landfill.



Under the WEEE Regulations, all new electrical goods should now be marked with the crossed-out wheeled bin symbol shown.

Goods are marked with this symbol to show that they were produced after 13th August 2005, and should be disposed of separately from normal household waste so that they can be recycled.



# zenitel

because communication is critical

**Hear, be heard, and be understood**  
– every time and everywhere

DOC. NO.

**A100K12147**  
v1.2

[customer.service@zenitel.com](mailto:customer.service@zenitel.com)



Zenitel and its subsidiaries assume no responsibility for any errors that may appear in this publication, or for damages arising from the information therein. Zenitel, Vingtor-Stentofon and Phortech products are developed and marketed by Zenitel. The company's Quality Assurance System is certified to meet the requirements in NS-EN ISO 9001. Zenitel reserves the right to modify designs and alter specifications without notice. ZENITEL PROPRIETARY. This document and its supplementing elements contain Zenitel or third-party information which is proprietary and confidential. Any disclosure, copying, distribution or use is prohibited, if not otherwise explicitly agreed in writing with Zenitel. Any authorized reproduction, in part or in whole, must include this legend. Zenitel – All rights reserved.