



ITSV-4

HD IP Video Phone

Quick Installation Guide

About

This document serves as an installation guide for the ITSV-4 HD IP Video Phone.

For more information and instructions on configuration of the ITSV-4 go to <https://wiki.zenitel.com/wiki/ITSV-4>

The ITSV-4 product package comprises the following components:

Item Number	Item Name	Description
1490004010	ITSV-4	HD IP Video Phone with 5" Screen
1490009006	Wall Mount Bracket for ITSV-4	

Safety information

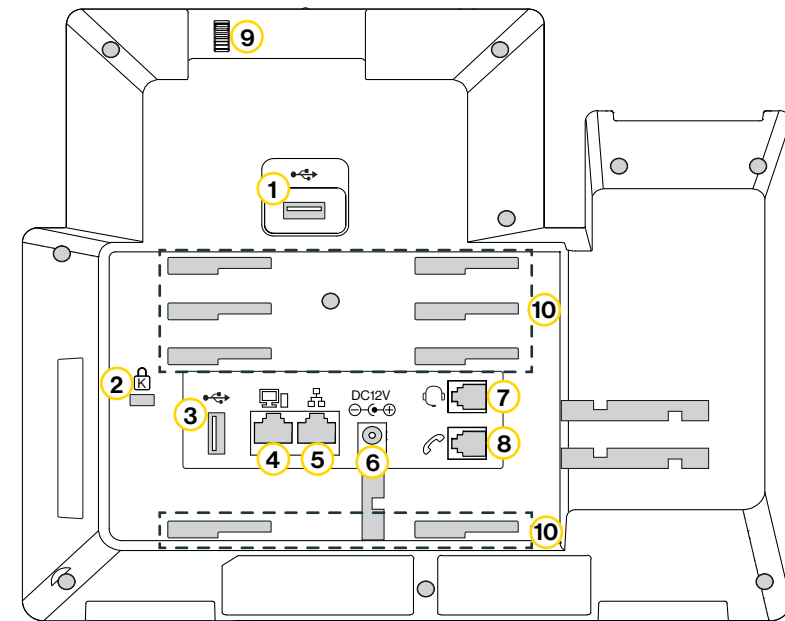
! **NB! Please DO NOT power cycle the ITSV-4 during system boot up or firmware upgrade. You may corrupt firmware images and cause the unit to malfunction.**

! **NB! Use only the power adapter included in the ITSV-4 package. Using an alternative non-qualified power adapter may possibly damage the unit.**

Zenitel takes no responsibility for damages caused by improper or inadequate installation.

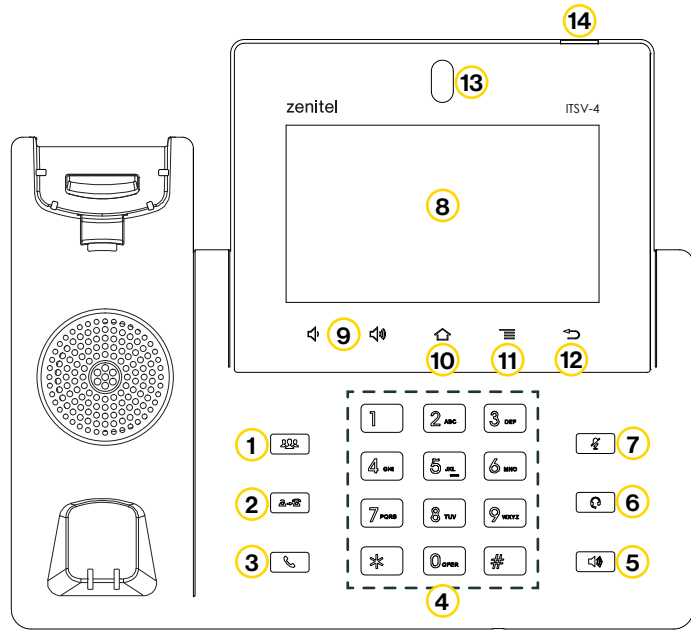
Description

Rear View



Item	Name	Description
1	USB 3.0 Port	USB devices can be connected via the USB port. For example, connect a USB flash drive to save captured pictures.
2	Kensington Lock	
3	USB 2.0 Port	USB devices can be connected via the USB port. For example, connect a USB flash drive to save captured pictures.
4	PC Port	10/100/1000Mbps RJ-45 port connecting to PC
5	LAN Port	10/100/1000Mbps RJ-45 port connecting to Ethernet. PoE/PoE+ is supported
6	Power	12VDC Power connector port
7	RJ9 Headset Port	RJ9 handset connector port
8	Handset Port	RJ9 headset connector port
9	Camera Adjusting Wheel	Scroll up/down to adjust the camera angle
10	Slots For Wall Mount and Phone Stand	Put the phone stand from left to right into the slots.

Front View

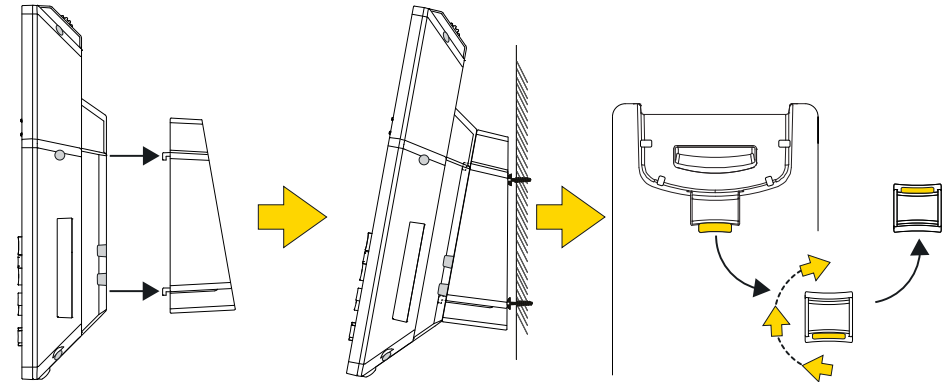
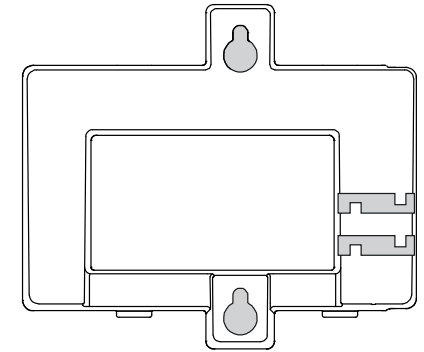


Item	Name	Description
1	Conference Key	
2	Transfer Key	
3	Send Key	
4	Standard Keypad	
5	Speaker Key	
6	Headset Key	
7	Mute Key	
8	GBX20 LCD	272*480 color LCD
9	Volume Up/Down	
10	Home	
11	Menu	
12	Back	
13	Camera	Mega pixel front camera. The angle can be adjusted, and the camera can be blocked by scrolling up/down the wheel on the back of the camera.
14	Message Waiting Indicator	To indicate message status, call status and phone's system status using the LED indicator.

Phone Setup

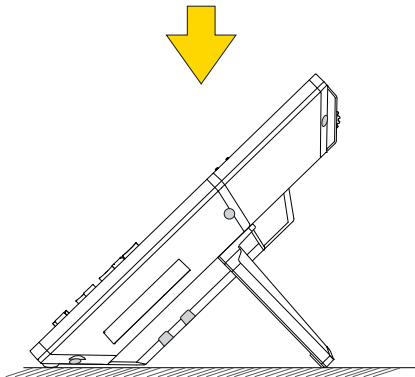
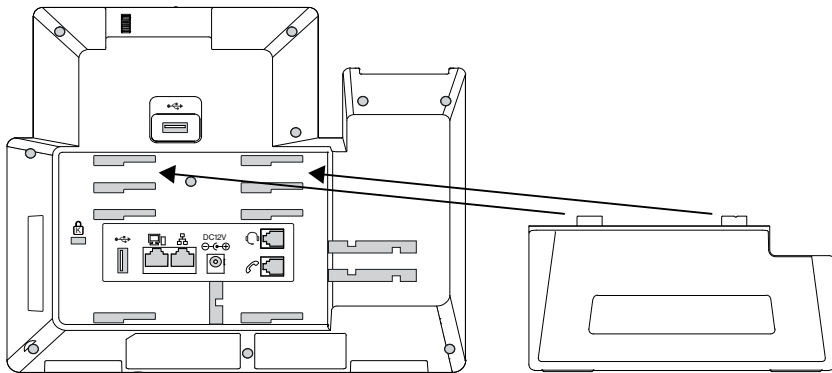
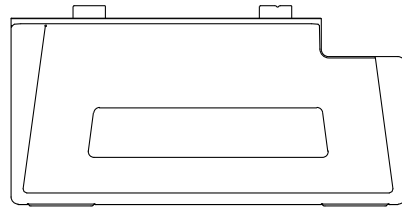
Mounting the Phone

- 1 Attach the **Wall Mount Bracket for ITSV-4** (item no. 1490009006) to the slots for wall mount spacers on the back of the phone.
- 2 Attach the phone to the wall via the wall mount holes.
- 3 Pull out the tab from the handset cradle (see figure below).
- 4 Rotate the tab and plug it back into the slot with the extension up to hold the handset while the phone is mounted on the wall.



Using the Phone Stand

For installing the phone on the table with the phone stand, attach the phone stand to the bottom of the phone where there is a slot for the phone stand.



Connecting the Phone

- 1 Connect the handset and main phone case with the phone cord.
- 2 Connect the LAN port of the phone to the RJ-45 socket of a hub/switch or a router using the Ethernet cable.
- 3 Connect the 12VDC output plug to the power jack on the phone; plug the power adapter into an electrical outlet. If PoE is used in step 2, this step could be skipped.
- 4 The LCD will display booting up or firmware upgrading information. Before continuing, please wait for the main screen display to show up.
- 5 Using the web configuration interface or from the menu of the touch screen, you can further configure network connection using static IP, DHCP... etc.

Tips For Using the ITSV-4 Keys

- Tap **Volume Down / Up** keys to adjust volume on the phone
- Tap **Home** key to return to default idle screen. Or press and hold on the **Home** key for 2 seconds to take a screenshot
- Press **Menu** key to access phone's display settings, edit widgets and thread manager. Or press and hold down the **Menu** key for 2 seconds to enter managing application interface directly.
- Press **Back** key to go back to previous menu.

Phone Configuration

Go to <https://wiki.zenitel.com/wiki/ITSV-4>, or scan the QR-code below for more instructions on how to set up and configure the ITSV-4.

Configuring the ITSV-4 Using Touch Screen

- 1 Make sure the phone is properly connected and in idle screen.
- 2 Select **Settings** -> **Advanced** -> **Account Settings**. Tap on one of the Account to configure account name, SIP Server, SIP User ID, SIP Auth ID, SIP Auth Password to register account on the ITSV-4. After successfully registered, the dial screen will be shown.
- 3 Follow the **Menu** options to configure other settings on the phone. For example, to configure static IP on the ITSV-4, set up static IP address via **LCD Menu** -> **Settings** -> **Network** -> **Ethernet Settings**.
- 4 Please contact your ITSP (Internet Telephony Service Provider) for additional settings that may be necessary to configure the phone.



Configuring the ITSV-4 Using Web Browser

- 1 Ensure your phone is properly powered up and connected to the internet.
- 2 Tap **Settings** -> **Status** -> **Network Satus**, to obtain the IP address of your phone.
- 3 Type the phone's IP address on your PC's browser.
- 4 Enter username and password to login. (The default password is **admin** and the default random password can be found at the sticker on the ITSV-4).
- 5 In the web GUI -> **Account**, select Account 1/2/3/.../16 page to configure Account name, SIP Server, SIP User ID, Authenticate ID and Authenticate Password to register the account on the ITSV-4



The WEEE Directive does not legislate that Zenitel, as a 'producer', shall collect 'end of life' WEEE.

This 'end of life' WEEE should be recycled appropriately by the owner who should use proper treatment and recycling measures. It should not be disposed to landfill.



Many electrical items that we throw away can be repaired or recycled. Recycling items helps to save our natural finite resources and also reduces the environmental and health risks associated with sending electrical goods to landfill.

Under the WEEE Regulations, all new electrical goods should now be marked with the crossed-out wheeled bin symbol shown.

Goods are marked with this symbol to show that they were produced after 13th August 2005, and should be disposed of separately from normal household waste so that they can be recycled.



zenitel

because communication is critical

Hear, be heard, and be understood – every time and everywhere

DOC. NO.

A100K12168

customer.service@zenitel.com



Zenitel and its subsidiaries assume no responsibility for any errors that may appear in this publication, or for damages arising from the information therein. Zenitel, Vingtor-Stentofon and Phontech products are developed and marketed by Zenitel. The company's Quality Assurance System is certified to meet the requirements in NS-EN ISO 9001. Zenitel reserves the right to modify designs and alter specifications without notice. ZENITEL PROPRIETARY. This document and its supplementing elements contain Zenitel or third-party information which is proprietary and confidential. Any disclosure, copying, distribution or use is prohibited, if not otherwise explicitly agreed in writing with Zenitel. Any authorized reproduction, in part or in whole, must include this legend: Zenitel – All rights reserved.