



zenitel

because communication is critical



TECHNICAL MANUAL

Turbine IP Intercoms

TCIS / TCIV+ / TEIV+ / TFIE / TFIX / TMIS / ECPIR-3P

A100K11194

zenitel.com

About this document

This document describes the setup procedure and configuration of the various models of the Turbine Compact and Extended IP Intercom series. The configuration procedures described here are for the general functions of the Turbine range. For information on more advanced features and settings, see [Zenitel Wiki](#).

Firmware Version: VSF-Turbine 5.1 (software package vsft-5.1.3.0 or later)

Related documents

Doc. Number	Mounting Guides
A100K11254	Turbine Compact IP Stations Mounting Guide
A100K12125	TMIV-1 Turbine Mini Mounting Guide
A100K12140	Exigo-Turbine Ex Mounting Manual
A100K11575	Turbine Industrial Intercoms Mounting Manual
A100K11589	Turbine Mini Mounting Guide
A100K12201	TEIV+ Mounting and Installation Manual
Connection Guides	
A100K11526	TAX-3 Handset for Turbine Ex Connection Guide
A100K11567	TA-23 Handset for Turbine Industrial Connection Guide
A100K11528	EMMAX-1H Compact Microphone for Turbine Ex Connection Guide
A100K11566	EMMAI-2H Compact Microphone for Turbine Industrial Connection Guide
A100K11525	TAX-2b Plugbox for Turbine Ex Connection Guide
A100K11564	TA-22b Plugbox for Turbine Industrial Connection Guide
General Manuals	
A100K12133	Exigo Ex Access Panels Turbine Ex Intercoms Installation & Maintenance Procedures
A100K10805	AlphaCom XE Installation & Configuration
A100K12031	IC-EDGE Quick Configuration

Publication log

Rev.	Date	Author	Status
1.0	21.9.2012	HKL	Published
2.0	24.9.2014	HKL	Turbine Extended intercoms
2.1	5.2.2015	HKL	TFIX-4 intercom
2.5	3.11.2017	HKL	TFIE-6, VS-IS 4.7
3.0	June 2020	HKL	IC-EDGE
3.1	22.2.2021	HKL	TCIV+, Zenitel branding
4.0	April 2022	ES	New Template, TFIX-X-V2, TMIS-4, TMIV-1
4.1	Sept 23	ES	TEIV+
4.2	April 24	ES	Removed Mobile app

Contents

1 Turbine Compact Intercoms	6
1.1 Turbine Compact Intercoms	6
1.1.1 Turbine Compact Station Keys & Functions	8
1.1.2 Turbine Compact Kits	8
1.2 Connectors on Turbine Compact Intercom	9
1.2.1 Power Supply	10
1.2.2 Network Connection	10
1.2.3 Input/Output Connectors	11
2 Turbine Extended Intercoms	11
2.1 Turbine Extended Industrial & Ex Intercoms	11
2.1.1 Turbine Extended Station Keys & Functions	12
2.1.2 ECPIR-3P Indoor Intercom - Keys & Functions	13
2.1.3 TKIE-2 Turbine Extended Kit	13
2.2 Connectors on Turbine Industrial	14
2.2.1 Power Supply	14
2.2.2 Network Connection	14
2.2.3 Input/Output Connectors	15
2.2.4 Connect Accessories	15
2.2.4.1 TA-23 Handset	15
2.2.4.2 AK5850HS Headset TA-22b Plugbox	16
2.2.4.3 EMMAI-2H Handheld Compact Microphone	17
2.3 Connectors on Turbine Ex	17
2.3.1 Connect Accessories	18
2.3.1.1 TAX-3 Handset	18
2.3.1.2 AK5850HS Headset TAX-2b Plugbox	19
2.3.1.3 EMMAX-1H Handheld Compact Microphone	20
2.4 Connect External Loadspeaker	20
2.5 Connect Signal Beacon	21
2.6 EBMDR-8 Expansion Module for ECPIR-3P	21
2.6.1 Connect EBMDR-8 to ECPIR-3P	22
3 Starting Up the Station	22
4 ICX-AlphaCom Configuration	23
4.1 Logging into the Station	23
4.2 Main Settings	23
4.3 Audio Settings	25
4.4 I/O Settings	25
4.5 Address Book	28
4.6 OLED Labels	29
4.7 Sound Detection	30
4.8 Time Settings	30

5 IC-EDGE Configuration	31
5.1	Logging into the Station 31
5.2	Main Settings 32
5.3	Connect other Intercom Stations 33
5.4	Configure Edge Controller Directory 33
5.5	Verify System Setup 34
5.6	Configure Call and Audio Settings 34
5.7	Modify IC-EDGE Device Profiles 35
5.8	Group Call 36
5.9	Configure 3rd-party SIP Devices 37
5.9.1	Install Licence 37
5.9.2	Create SIP Account 38
5.9.3	Configure SIP Phone 38
5.9.4	Verify Operation 38
5.10	Advanced Configuration Mode 39
5.11	Direct Access Key & Ringlist Settings 40
5.11.1	Ringlist Settings 42
5.11.1.1	Forward Unattached Call 43
5.11.1.2	Forward Unattached Call with Loopback 44
5.11.1.3	Parallel Ringing - ForwardCall if Unattended 45
5.12	Script Settings 45
5.12.1	Script Upload 46
5.12.2	Script Configuration 46
5.12.3	Script Events 47
5.13	Audio Messaging 47
5.13.1	Updating Audio Files 47
5.13.2	Play Message on DTMF Event 48
5.13.3	Play Message on Call Event 48
5.13.4	Play Message on Relay Event 49
5.13.5	Routing of Audio Call 49

6 SIP Configuration	50
6.1	Logging into the Station 50
6.2	Main Settings 50
6.3	Account/Call Settings 52
6.4	Audio Settings 54
6.5	Direct Settings 55
6.6	Relay/Output Settings 56
6.7	Time Settings 57
6.8	Audio Messages 57
6.9	Advanced Configuration Mode 59
6.10	I/O Settings 59
7 Common Advanced Network Settings	60
7.1	SNMP Settings 60
7.2	Network Access Control 62
7.3	Firewall Settings 64
8 Station Software Upgrade	65
8.1	Prerequisites 65
8.2	Upgrade via Station Web Interface 65
9 Station Indication LEDs	66
9.1	LEDs on Front Plate - Compact Stations 66
9.1.1	ECPIR-3P, Industrial and EX Stations 67
9.2	Status LEDs on PCB 67
9.3	Ethernet Activity & Speed LEDs 67
10 Restoring Factory Default	68
10.1	Reset to Factory Default Settings with Advanced DHCP 68
10.2	Reset to Factory Default Settings with Static IP 68
A: Compact Board Connectors	69
A.1	PCB - Front 69
A.2	Input Connectors 70
A.3	Output Connectors + 1Relay 70
A.4	Output Connectors + MRBD Relay Board 71
A.5	PCB - Rear 71
A.6	Front Board - Front 72
A.7	Front Board - Rear 72
B: Extended Board Connectors	73
B.1	PCB - Front 73
B.2	Input Connectors 73

1 Turbine Compact Intercoms

1.1 Turbine Compact Intercoms

Model	Product Description	Item No.	Accessories
TMIS-1	Turbine Mini IP Intercom	1008116010	
TMIS-2	Turbine Mini IP Intercom	1008116020	TA-2 Flush Mount 2-Gang Double-Depth Back Box - 1008140020
TMIS-4	Turbine Mini IP Intercom	1008116040	TA-3 Deep Flushmount Backbox - 1008140030 TA-13 Wall Back Box White - 1008140130
TMIV-1+	Turbine Mini Video Intercom	1008117010	
TCIS-1	Turbine Compact IP Intercom	1008111010	
TCIS-2	Turbine Compact IP Intercom	1008111020	
TCIV-2+	Turbine Compact IP Video Intercom	1008315020	
TCIS-3	Turbine Compact IP Intercom	1008111030	
TCIV-3+	Turbine Compact IP Video Intercom	1008315030	
TCIS-4	Turbine Compact IP Intercom	1008111040	TA-1 Surface Mount Back Box - 1008140010
TCIS-5	Turbine Compact IP Intercom	1008111050	TA-2 Flush Mount 2-Gang Double-Depth Back Box - 1008140020
TCIV-5+	Turbine Compact IP Video Intercom	1008315050	TA-5 Flush Mount Bracket - 1008140050
TCIS-6	Turbine Compact IP Intercom	1008111060	
TCIV-6+	Turbine Compact IP Video Intercom	1008315060	
TCIS-C1	Turbine Compact IP Intercom	1008111901	
TCIA-2	Turbine Compact IP Intercom	1008113020	
TEIV-1+	Turbine Extended IP Video Intercom with Keypad and Display	1008317110	TA-33 Turbine Extended On-wall Backbox - 1008140330
TEIV-4+	Turbine Extended IP Video with RFID card reader mount	1008318240	TA-34 Turbine Extended Flushmount Backbox- 1008140340

TMIS-1/TMIV-1+ Turbine Mini

Thermoplastic Frontplate with Single Call Button and PMOLED Display



TMIS-2 Turbine Mini

Stainless Steel Frontplate with Single Call Button



TMIS-4 Turbine Mini

Thermoplastic Frontplate with Two Call Buttons and PMOLED Display



TCIS-1

Thermoplastic Frontplate with Single Call Button plus Push-To-Talk & Cancel



TCIS-2/TCIV-2+/TCIA-2

Stainless Steel Frontplate with Single Call Button



TCIS-3/TCIV-3+

Thermoplastic Frontplate with Single Call Button



TCIS-4

Thermoplastic Frontplate with Single Call Button and PMOLED Display



TCIS-5/TCIV-5+

Thermoplastic Frontplate with Two Call Buttons and PMOLED Display



TCIS-6/TCIV-6+

Thermoplastic Frontplate with Call & Scrolling Buttons and PMOLED Display



TEIV-1+

Turbine Extended IP Video Intercom with Keypad and Display

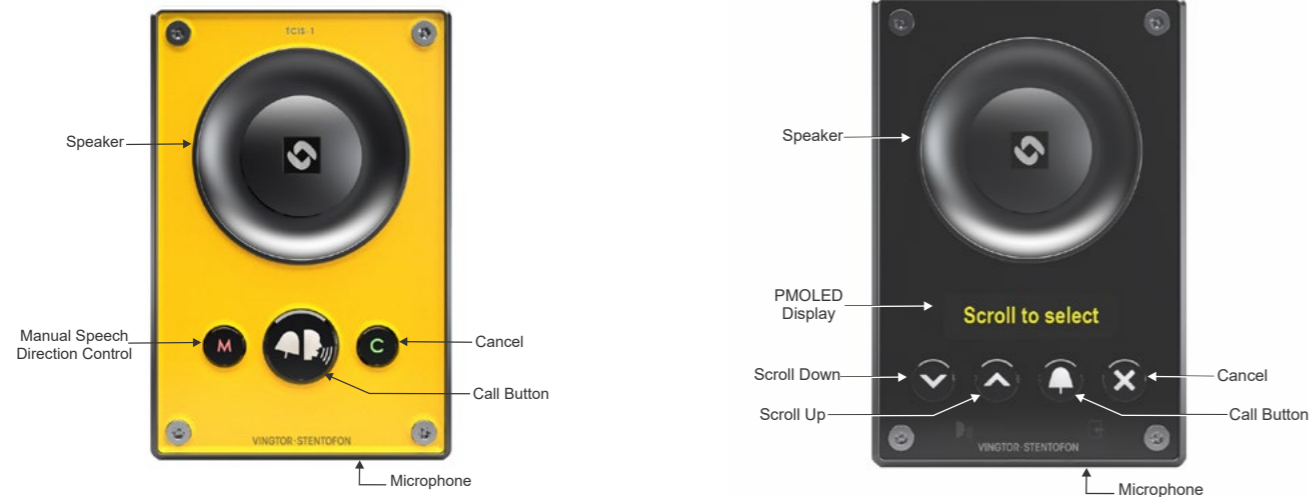


TEIV-4+

Turbine Extended IP Video with RFID card reader mount



1.1.1 Turbine Compact Station Keys & Functions



1.1.2 Turbine Compact Kit

TKIV+

Turbine Video Kit VoIP Intercom Module



TKIS-2

Turbine Kit VoIP Intercom Module

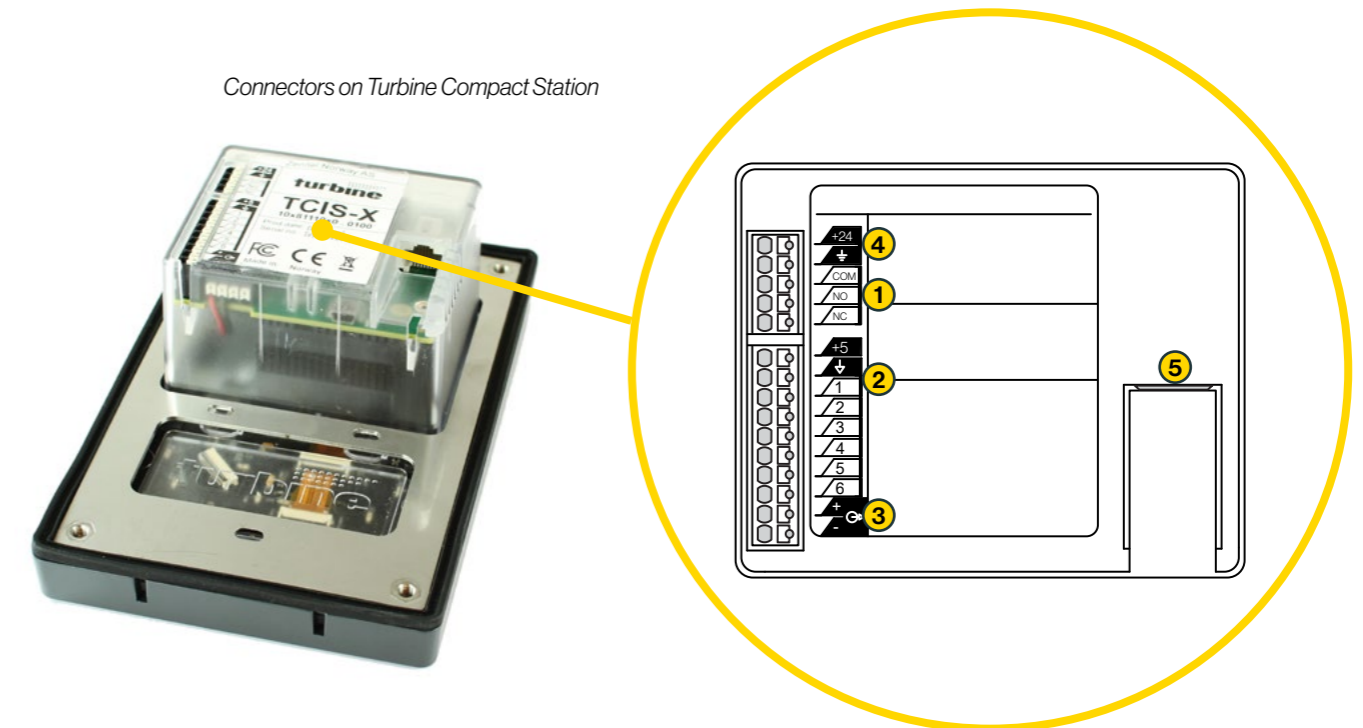


1.2 Connectors on Turbine Compact Intercom

This Turbine Compact Board is used by the following stations: TCIS-1, TCIS-2, TCIS-3, TCIS-4, TCIS-5, TCIS-6, TKIS-2, TMIS-1, TMIS-4.

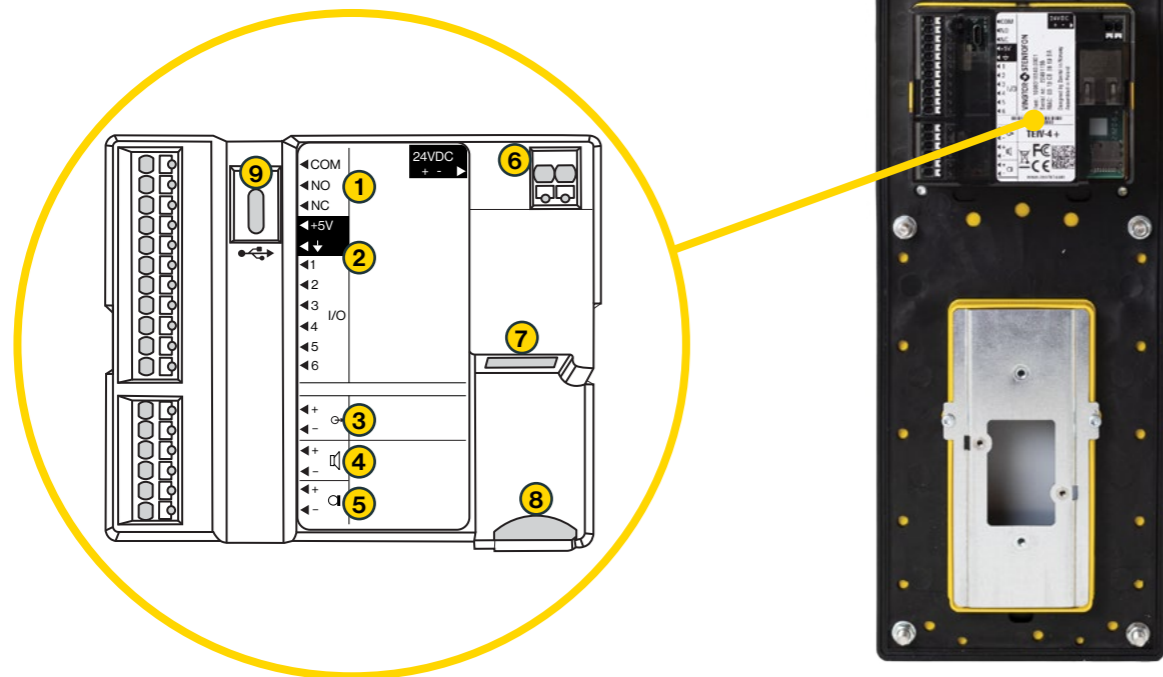
! Note! The TCIA-2 has a different set of connectors.

See Appendix A: Compact Board Connectors for further information.



Item	Description	Comment
1	Relay	Double Throw relay contact with 60W switching power. COM, NO, NC contacts are provided. Max: 250VAC/220VDC, 2A, 60W.
2	I/O interface	6 general purpose I/Os. Each I/O can be configured either as an input or 12mA LED driver output
3	Line Output	Balanced 600 ohm audio line out. Suitable for e.g. external induction loop amplifier
4	Power Input	Optional 24VDC power input from external power supply
5	LAN Port	10/100/1000Mbps RJ-45 port connecting to Ethernet. PoE/PoE+ is supported.

This Turbine Compact Board is used by the following video stations: TMIV-1+, TCIV-2+, TCIV-3+, TCIV-5+, TCIV-6+, TEIV-1+ and TEIV-4+



Item	Description	Comment
1	Relay	Double Throw relay contact with 60W switching power. COM, NO, NC contacts are provided. Max: 250VAC/220VDC, 2A, 60W.
2	I/O interface	6 general purpose I/Os.. Each I/O can be configured as either input, output, or LED driver.
3	Line Output	A balanced 600 ohm audio line out with induction loop signal.
4	Speaker Input	Connect an external speaker rated for 8 Ohm
5	Microphone input	Electret mic input
6	Power Input	Optional 24VDC power input from external power supply
7	LAN Port	10/100/1000Mbps RJ-45 port connecting to Ethernet. PoE/PoE+ is supported.
8	SD-card Slot	
9	USB-C Port	Used during production process and for recovery

Ethernet / Power	10/100 Mbps Ethernet RJ-45 port for LAN (uplink) connection. Supports PoE (802.3af). Draws power from either spare line or signal line.
Secondary Power	24 V DC (16 – 48 V) secondary power is provided from an external adapter.
Input/Output	6 general purpose I/Os are available. Each I/O can be configured as either button input or LED driver.
Relays	There is one Double Throw relay contact with 60W switching power. COM, NO, NC contacts are provided. Max: 250 V AC/220 V DC, 2A, 60W.
Audio Line Out	A balanced 600 ohm audio line out with induction loop signal

1.2.1 Power Supply

The Turbine Compact Station supports Power over Ethernet (PoE, IEEE 802.3 a-f) where power can be drawn from either the spare line or signal line. If PoE is not available, the Turbine Compact Station can be connected to a 24 V DC local power supply.

1.2.2 Network Connection

There is one RJ-45 port located on the Turbine Compact station that is used for PoE/LAN Ethernet connection.

1.2.3 Input/Output Connections

There are 6 I/O connection options for the Turbine Compact Station. These connections can be used to interface with external I/O devices. The connections are typically used as digital input (eg. form a closing contact), digital output (5V), or LED driving (20mA max) for connecting sensors, indicators or integration to other systems. See Appendix A for further information.

2 Turbine Extended Intercoms

2.1 Turbine Extended Industrial & Ex Intercoms

Model	Product Description	Item No.	Accessories
TFIE-1	Turbine Extended Industrial IP Intercom	1008122010	TA-23 Handset for Industrial Stations - 1008140230
TFIE-2	Turbine Extended Industrial IP Intercom	1008122020	EMMAI-2H Handheld Compact Mic for Industrial Stations - 1023533312 TA-22b Cable and Plugbox for AK5850HS Headset - 1008140225
TFIE-6	Turbine Extended Industrial IP Intercom	1008122060	TA-10 Connection Board with Relays for Turbine Industrial - 1008140100
TFIX-1-V2	Turbine Extended Ex IP Intercom	1008123110	Headset for Ex & Industrial Stations - AK5850HS
TFIX-2-V2	Turbine Extended Ex IP Intercom	1008123120	TAX-2b Cable and Plugbox for AK5850HS Headset - 1008150025 TAX-3 Handset for Ex Stations - 1008150030
TFIX-3-V2	Turbine Extended Ex IP Intercom	1008123130	EMMAX-1H Handheld Microphone for Ex Stations - 1023533511
ECPIR-3P	Turbine Extended Indoor Intercom	1023200033	PAMIH Handheld Microphone - 1023533012 EBMDR-8 8-Button Expansion Module - 1023253008

TFIE-1

Industrial Intercom with Full Keypad



TFIE-2

Industrial Intercom with 6 Programmable Keys



TFIE-6

Industrial Intercom with Scrolling Unit & PMOLED Display



TFIX-1-V2

TurEX Intercom with Full Keypad



TFIX-2-V2

Turbine EX with 6 Programmable Keys

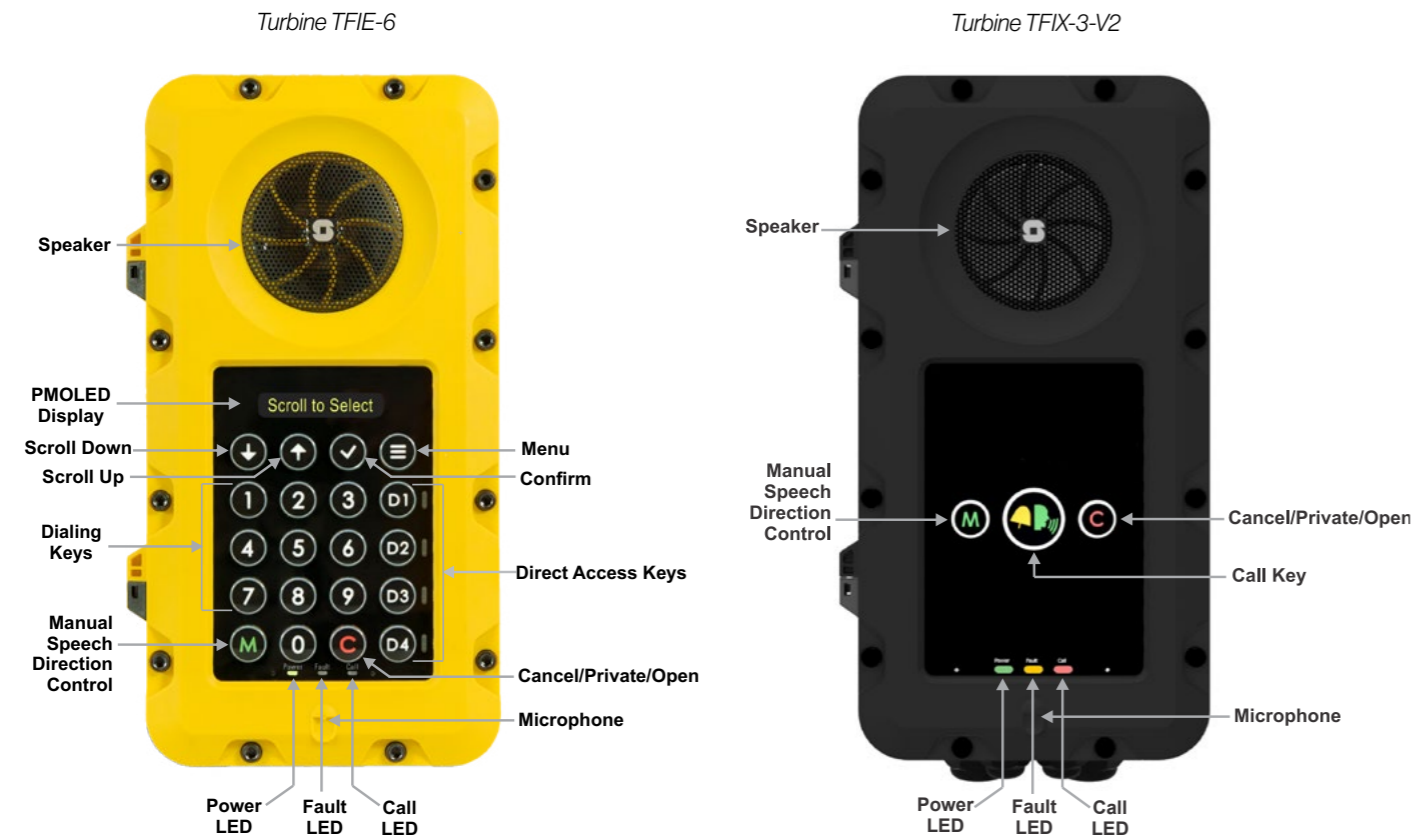
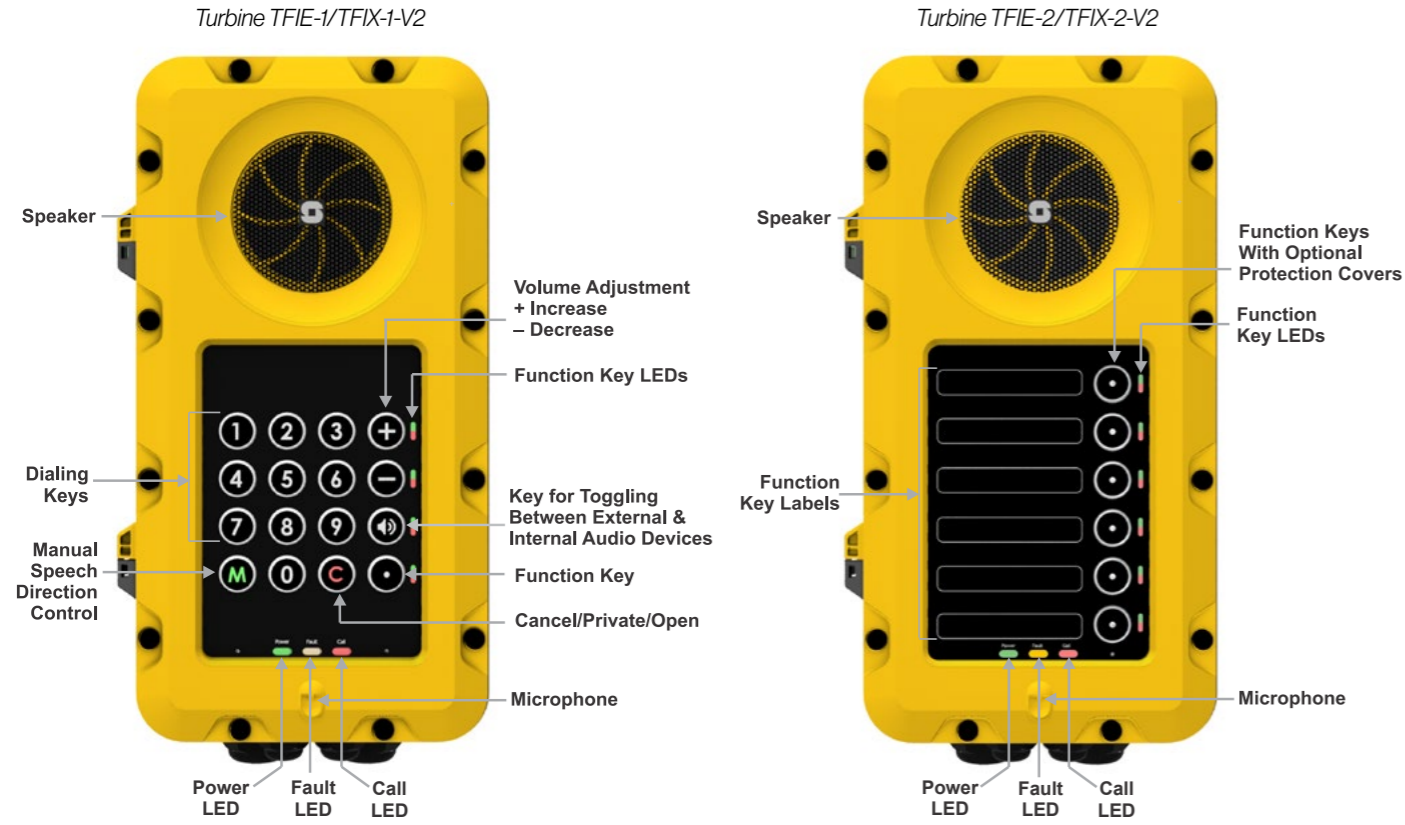


TFIX-3-V2

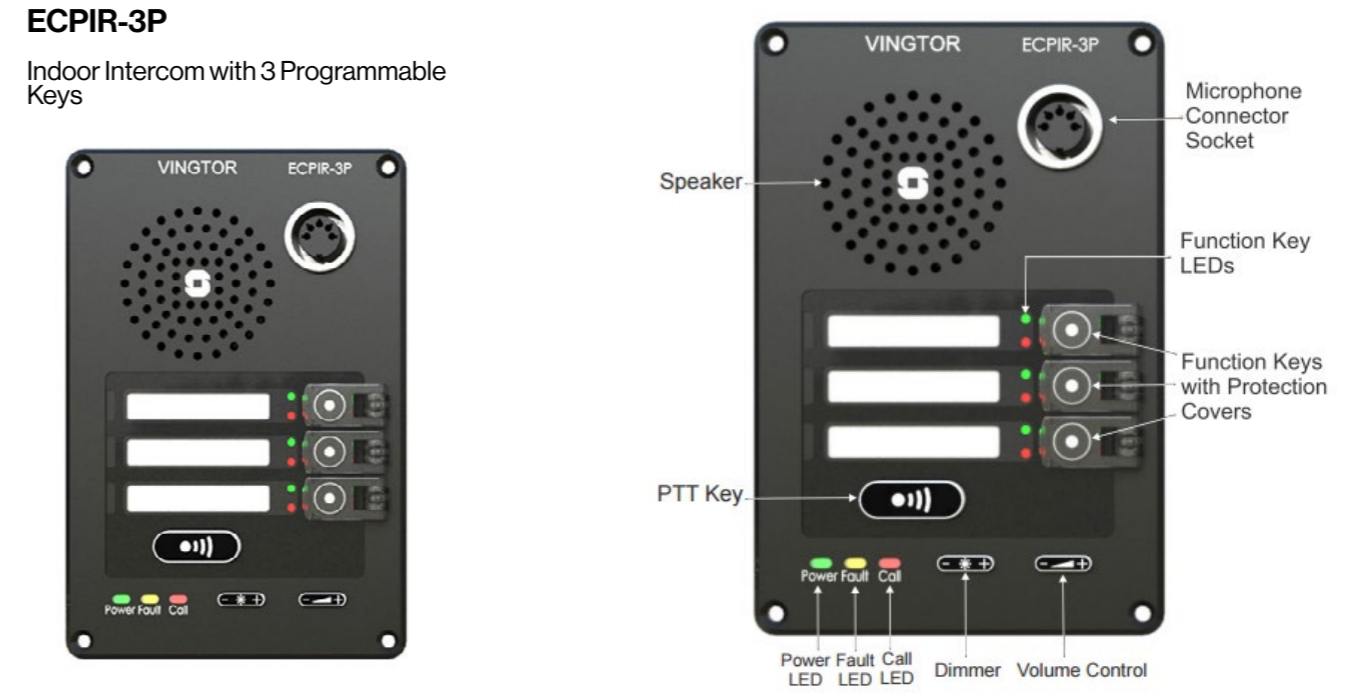
Turbine Ex Intercom Station, 3 buttons



2.1.1 Turbine Extended Station Keys & Functions



2.1.2 ECPIR-3P Indoor Intercom - Keys & Functions



2.1.3 TKIE-2 Turbine Extended Kit

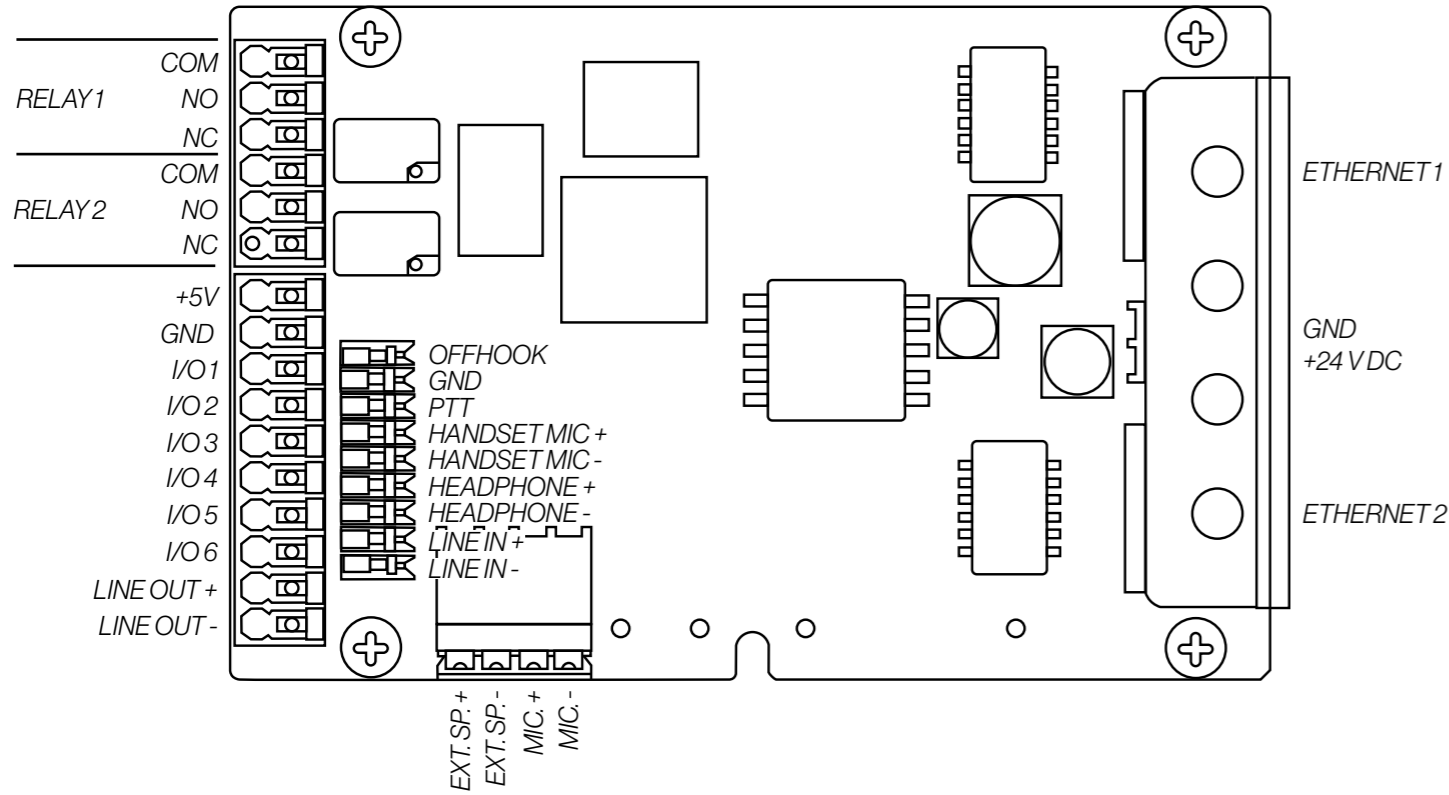
TKIE-2
Turbine Extended IP Kit



2.2 Connectors on Turbine Industrial

The Turbine Extended board is used in the following stations: TFIE-1, TFIE-2, TFIE-6, ECPIR-3P, TKIE-1.

See Appendix B: Extended Board Connectors for further information.



! Note! All connections are made on the main board inside the enclosure of the Turbine Industrial station.

2.2.1 Power Supply

The Turbine Industrial Station supports Power over Ethernet (PoE, IEEE 802.3 a-f) where power can be drawn from either the spare line or signal line. If PoE in not available, the Turbine Industrial Station can be powered from a 24-48 V DC local power supply.

! Note! If used together with PoE the station can be powered by 24 V DC as a local power backup.

! Note! If connected to two PoE-capable switches, only one of the ports will negotiate PoE; hence this is not a good solution for power redundancy (switch failure might lead to a reboot). Instead a “dumb” PoE injector (spare-pair power) should be used for the two Ethernet ports or a local 24 V DC local power backup.

2.2.2 Network Connection

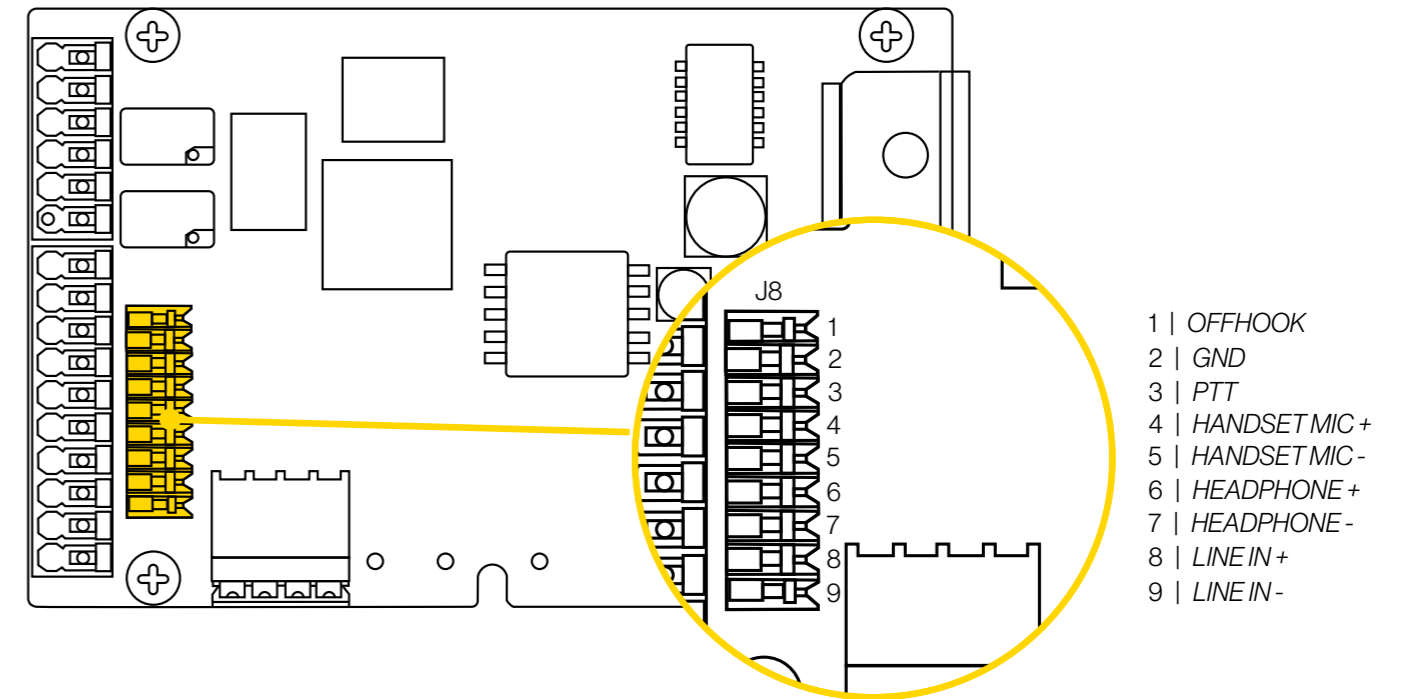
There are two RJ-45 ports located on the Turbine Industrial station, either of which can be used for a single PoE/LAN Ethernet connection.

2.2.3 Input/Output Connections

There are 6 I/O connection options for the Turbine Industrial Station. These connections are used as digital input (eg. form a closing contact), digital output (5 V), or LED driving (20mA max.) for connecting sensors, indicators or integration to other systems. See Appendix B: Extended Board Connectors for further information.

2.2.4 Connect Accessories

Accessories such as the handset, plugbox for the headset, and handheld microphones are connected to the connection terminal block J8 on the main board inside the station enclosure.

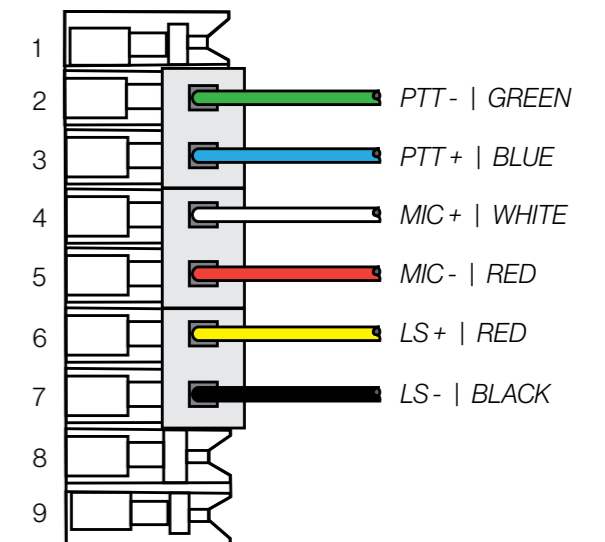


2.2.4.1 TA-23 Handset

TA-23

Industrial Handset for Turbine with PTT

Plug the IDC connectors on the Handset cable into the J8 terminal block according to the pin configuration below.



2.2.4.2 AK5850HS Headset TA-22b Plugbox

AK5850HS

Headset with boom microphone and curled cord

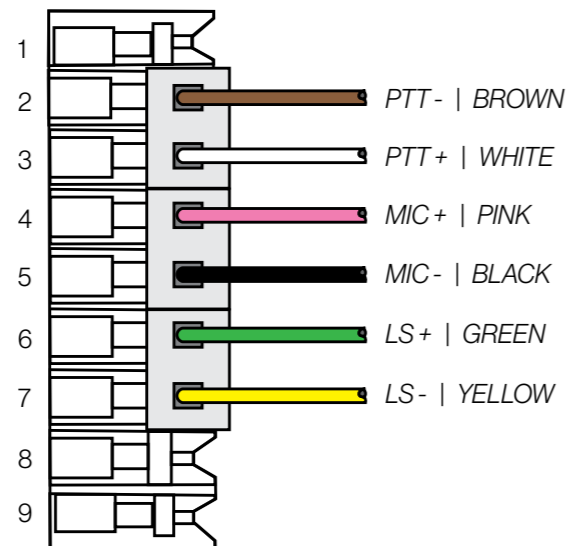


TA-22b

Plugbox & Cable (10 m.) for Headset with PTT



Plug the IDC connectors on the Plugbox cable into the J8 terminal block according to the pin configuration below.



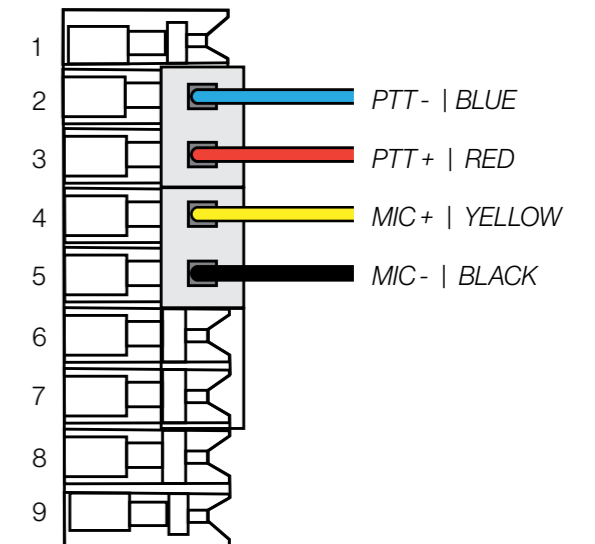
2.2.4.3 EMMAI-2H Handheld Compact Microphone

EMMAI-2H

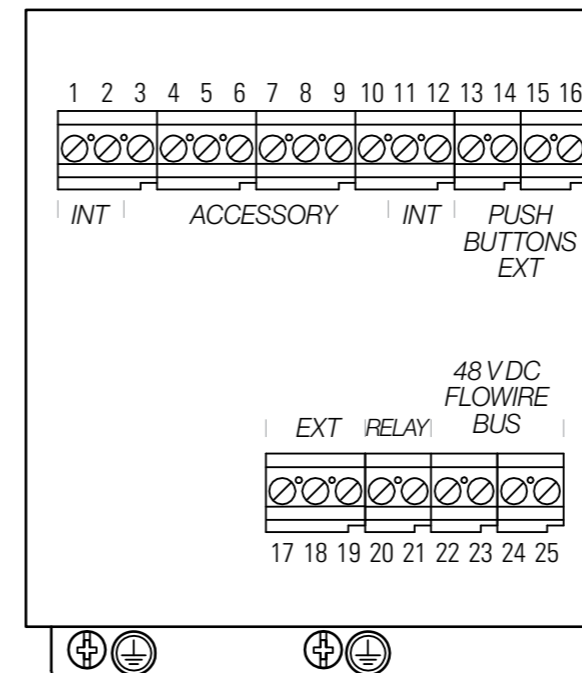
Handheld Compact Industrial Microphone



Plug the IDC connectors on the Compact Microphone cable into the J8 terminal block according to the pin configuration below.



2.3 Connectors on Turbine Ex



1	Internal Mic +	14	GND External Push Button
2	Internal Mic -	15	GPI 2 External Push Button
3	Signal GND	16	GND External Push Button
4	Audio Accessory Speaker +	17	External Loudspeaker +
5	Audio Accessory Speaker -	18	External Loudspeaker -
6	Audio Accessory Microphone Mic +	19	Signal GND
7	Audio Accessory Microphone Mic -	20	Relay COM
8	Audio Accessory Push To Talk (PTT)	21	Relay NO
9	Audio Accessory Hook	22	Flowire PLC1 +
10	Audio Accessory GND PTT/Hook	23	Flowire PLC1 -
11	Internal Loudspeaker +	24	Flowire PLC2 +
12	Internal Loudspeaker -	25	Flowire PLC2 -
13	GPI 1 External Push Button		

! Note! All connections are made on the main board inside the enclosure of the Turbine Ex station.

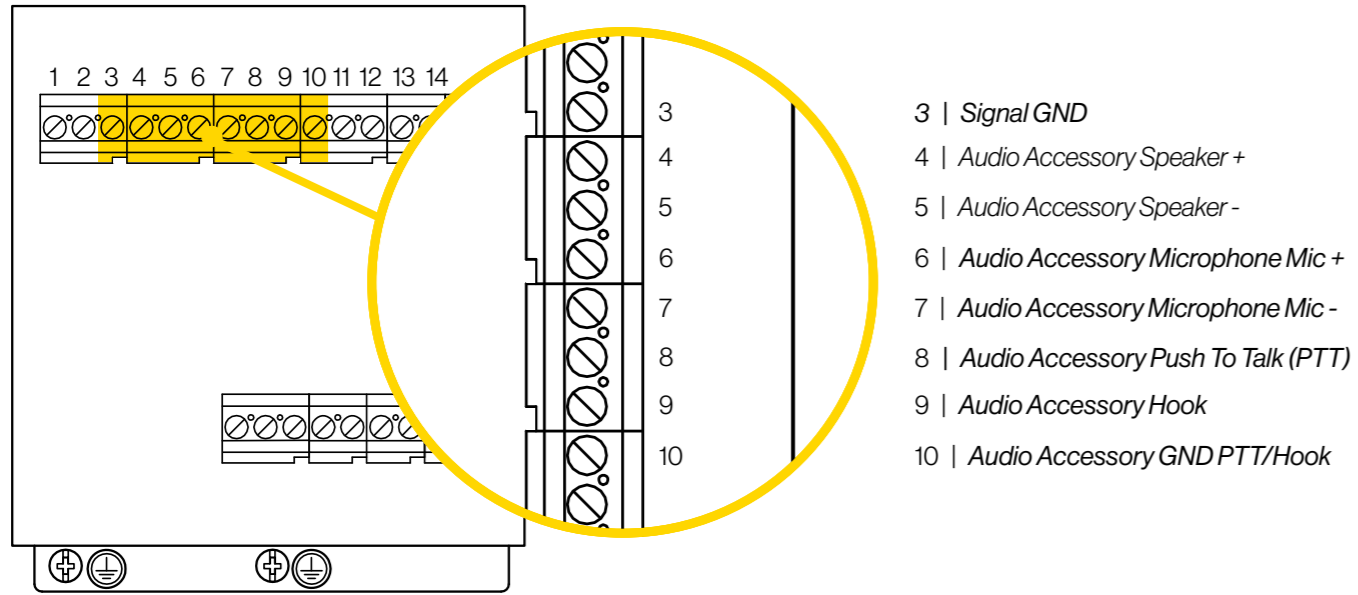
! Note! Turbine Ex stations must be powered by a two-wire Flowire link.

Procedures for connecting power supply, LAN network and Inputs/Outputs are described in the manual A100K12133 Ex Turbine Intercoms & Exigo Access Panels Installation & Maintenance Procedures.

For information on configuration of the Flowire interface see A100K11958 Flowire Converter - Configuration Manual.

2.3.1 Connect Accessories

Accessories are connected to the top 16-screw connection terminal block in the Turbine Ex enclosure.



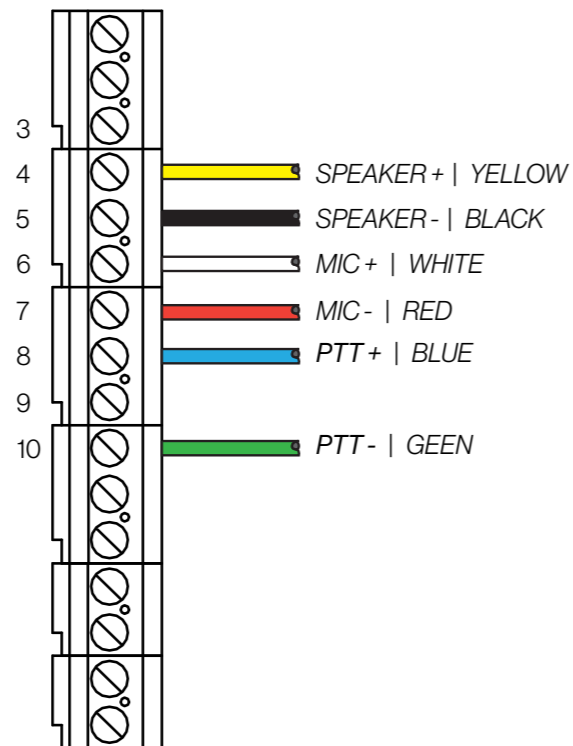
- 3 | Signal GND
- 4 | Audio Accessory Speaker +
- 5 | Audio Accessory Speaker -
- 6 | Audio Accessory Microphone Mic +
- 7 | Audio Accessory Microphone Mic -
- 8 | Audio Accessory Push To Talk (PTT)
- 9 | Audio Accessory Hook
- 10 | Audio Accessory GND PTT/Hook

2.3.1.1 TAX-3 Handset

TAX-3

Industrial Handset for Ex Intercom

Connect the wire ferrules on the Handset cable to the terminal block according to the pin configuration below.



2.3.1.2 AK5850HS Headset TAX-2b Plugbox

AK5850HS

Headset with boom microphone and curled cord



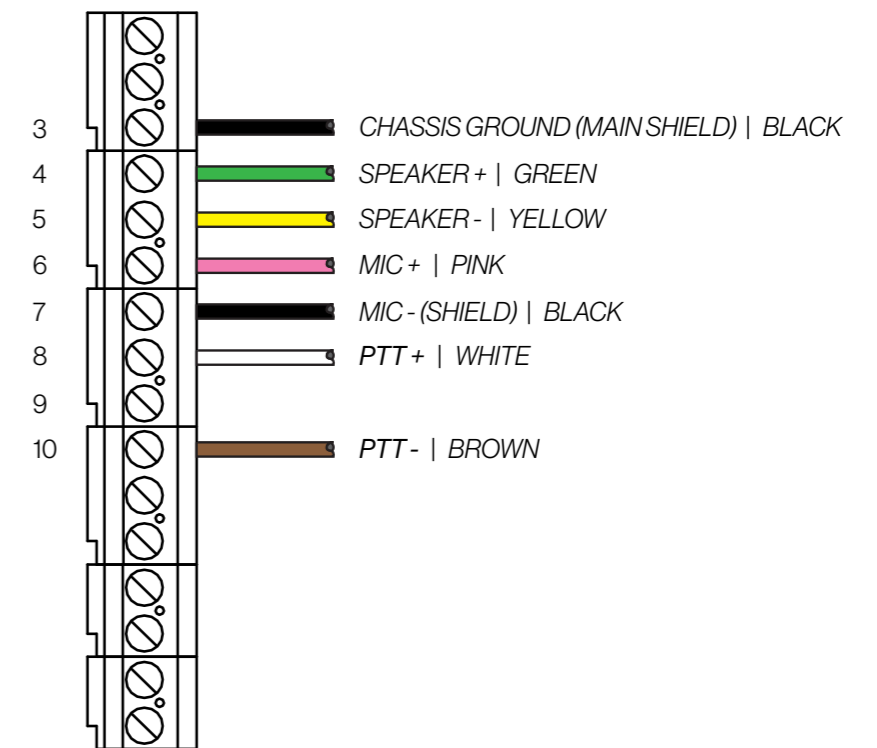
TAX-2b

Plugbox & Cable (10 m.) for Headset with PTT



Connect the wire ferrules on the Plugbox cable to the terminal block according to the pin configuration below.

! Note! The black (shield) wire is labeled MIC- and the black (main shield) wire is labeled GND.

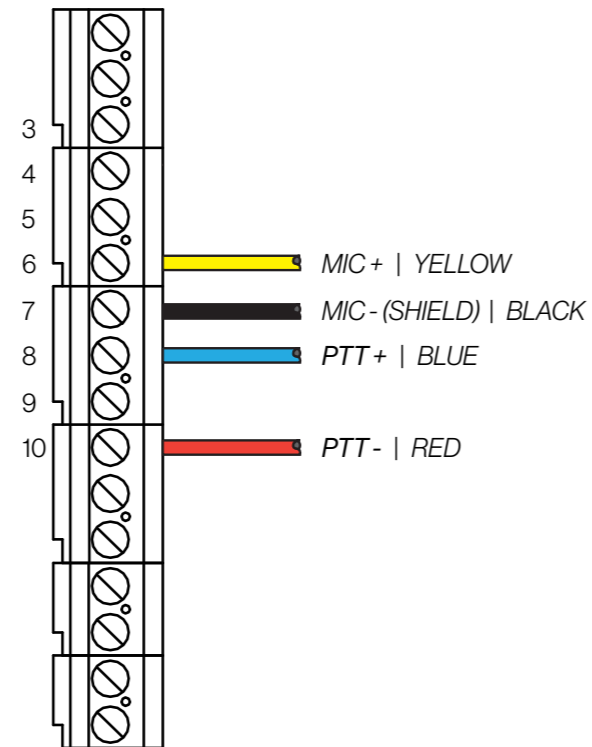


2.3.1.3 EMMAX-1H Handheld Compact Microphone

EMMAX-1H

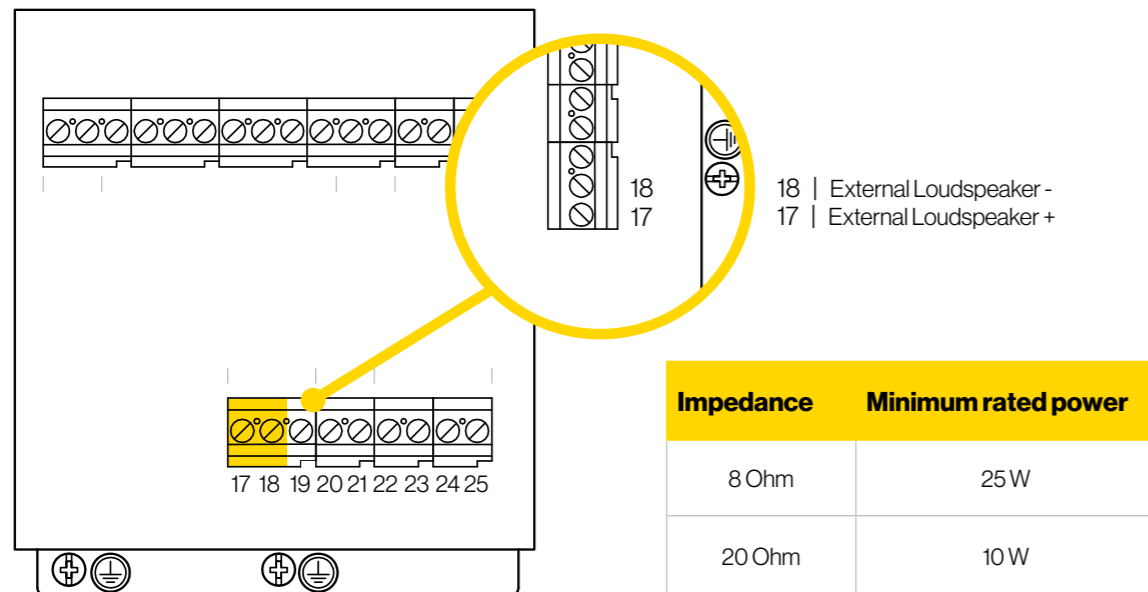
Handheld Compact Industrial Microphone

Connect the wire ferrules on the Compact Microphone cable to the terminal block according to the pin configuration below.



2.4 Connect External Loudspeaker

The loudspeaker connector is located on the bottom connection terminal block in the Turbine Ex enclosure.



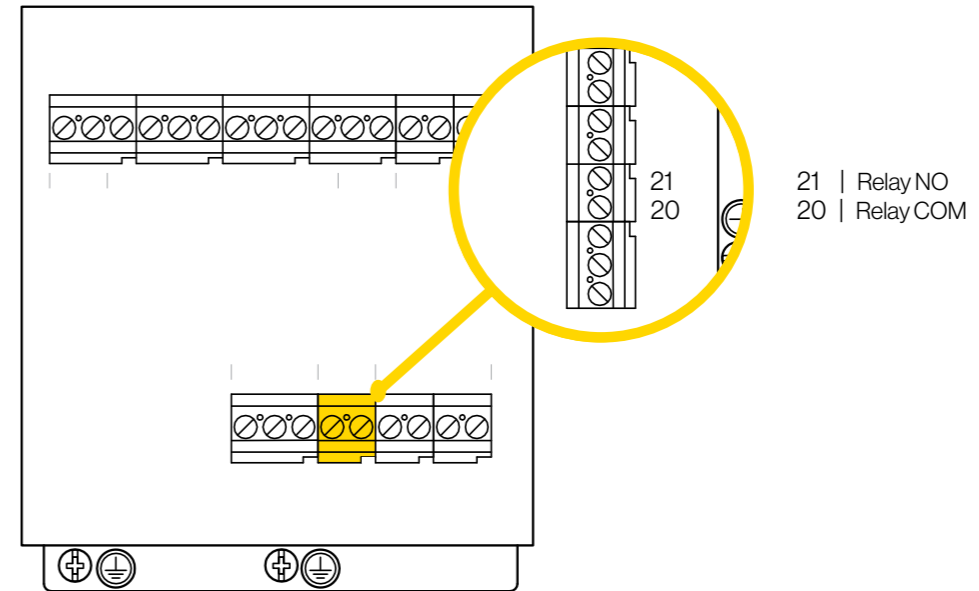
! Note! Only Ex-certified loudspeakers which comply with the minimum power ratings listed above may be used

! Note! Maximum load of external loudspeaker: 25 W for maximum 30 minutes

! Note! Maximum average load of external loudspeaker in service: 4 W

2.5 Connect External Signaling Device

A signal beacon can be connected to the Relay terminals located on the bottom connection terminal block in the Turbine Ex enclosure.



! The signaling device needs an external power source, 24-48 VDC SELV, max 320mA

2.6 EBMDR-8 Expansion Module for ECPIR-3P

The EBMDR-8 Expansion Module is a slave unit to the ECPIR-3P. The EBMDR-8 hence receives power from and communicates through its master, the ECPIR-3P.

EBMDR-8

Expansion Module with 8 Buttons

! Note! Up to four EBMDR-8 modules may be daisy-chained to one ECPIR-3P



2.6.1 Connect EBMDR-8 to ECPIR-3P

- Using the small connection cable supplied, connect the EBMDR-8 expansion module to the ECPIR-3P or preceding module as shown in the figure. If more than one EBMDR-8 is connected to the same ECPIR-3P, these are daisy-chained together.
- Connect the white connector on the cable to the corresponding white connector on the ECPIR-3P or preceding EBMDR-8.
- Connect the black connector on the cable to the corresponding black connector on the EBMDR-8.



3 Starting up the Station

The Turbine Station features an embedded web interface, which allows users to log in via a standard web browser.

To start up the station, your PC and the IP station have to be connected together via a PoE switch using network cables:

- Connect the PC to the PoE switch
- Connect the PoE port on the IP station to the PoE switch

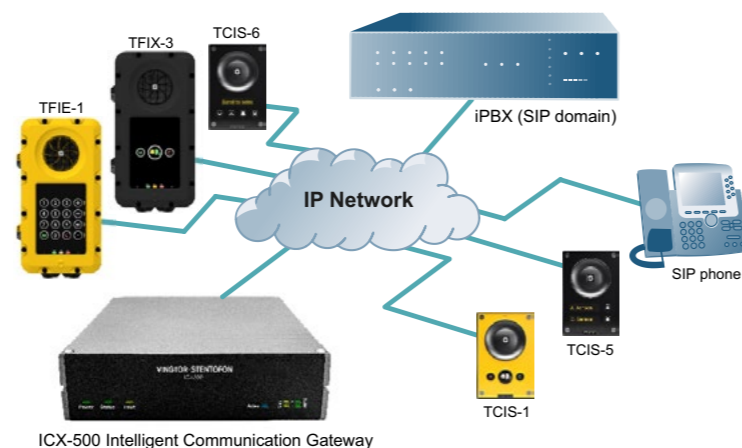
When the Turbine Station is connected to the network, the **IP address** of the station is automatically obtained in one of two ways:

- An IP address is obtained from a **DHCP server** if there is one.
- If there is no DHCP server, an IP address in the range **169.254.x.x** will be assigned.

To make the station speak its IP address press the **call key**, **number keys** or **DAKs** on the station when the station is not yet registered.

At commissioning, the IP station needs to be configured to enable it to be used as:

- Station subscribed to an ICX-500 Intelligent Communication Gateway or AlphaCom XE server
- SIP station
- IC-EDGE station



4 ICX-AlphaCom Configuration

The Turbine stations are connected to the ICX-AlphaCom platform comprising the ICX-500 Intelligent Communication Gateway or AlphaCom XE server/exchange lying at the heart of our security and communication system. The communication between the ICX-AlphaCom platform and the Turbine Stations utilize the CCoIP® protocols. The ICX-AlphaCom platform includes all main service configurations for the IP stations and only a minimum configuration is needed to be carried out on the actual station.

For more information on ICX-AlphaCom configuration see wiki.zenitel.com/wiki/Turbine_Configuration_-_AlphaCom_mode

The following sections describe configuration procedures using the web interface of the station.

4.1 Logging into the Station

Ensure that the IP address of your PC is in the same range as that of the station IP address. Access the station by logging into the web interface using a standard web browser on your PC:

- Open a web browser
- In the browser's address bar, type the station IP address and press the ENTER key - The station login page will be displayed.

To log into the station:

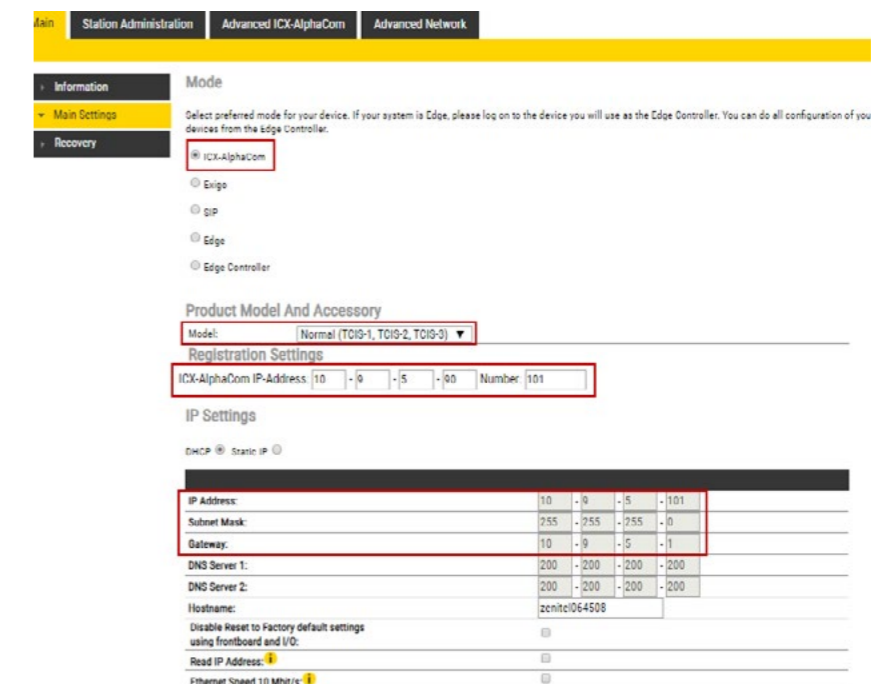
- Click **Login**
- Enter the default User name: **admin**
- Enter the default Password: **alphaadmin**



The **Station Information page** will now be displayed, showing the IP station configuration and status.

Note! The user interface and parameters displayed in the following sections are dependent on the Turbine station type (Compact, Industrial or Ex) selected.

4.2 Main Settings



SAVE

To access the page for configuring station mode and IP parameters:

- Select **Main > Main Settings**

Mode:

- Select the ICX-AlphaCom radio-button

Product Model and Accessory:

The options presented will depend on the Turbine model (Compact, Industrial, Ex).

- Select one of the options from the Model drop-down box:
- **Model: (for Compact)**
 - Kit (TKIS-2)
 - Normal (TCIS-1, TCIS-2, TCIS-3) OLED
 - Labels (TCIS-4, TCIS-5)
 - Scrolling Station (TCIS-6)
 - Mini (TMIS-1, TMIS-2, TMIS-4)
- **Model: (for Extended)**
 - TKIE-1 (Kit)
 - TFIE-1
 - TFIE-2
 - TFIE-6
 - ECPIR-3P
- **Model: (for Ex)**
 - TFX-1-V2
 - TFX-2-V2
 - TFX-3-V2
- **Accessory: (for Extended & Ex)**
 - Handset
 - Handset w/ Offhook
 - Handset w/ Offhook (Normally Closed)
 - Handheld Microphone
 - Headset
 - Headset w/ Auto detect

Registration Settings:

ICX-AlphaCom IP-Address

- Enter the IP address of the ICX-500 or AlphaCom server in which the IP station is to be a subscriber in the field.

Number

- Enter the directory number of the station in the field. - If a directory number is not entered, the station will register with its MAC address. The MAC address is found on the **Station Information** page and needs to be entered into AlphaPro.

IP Settings:

- **DHCP** – Select this option if the IP station shall receive IP Settings from a DHCP server.
 - **Static IP** – Select this option if the IP station shall use a static IP address. Enter values for:
 - IP-address
 - Subnet-mask
 - Gateway
 - DNS Server 1 (option for network administration)x
 - DNS Server 2 (option for network administration)
 - Hostname (option for network administration)
- **Disable Reset to Factory default settings using frontboard and I/O**
 - Check the box to disable factory reset using frontboard and I/O
- **Read IP Address**
 - **Read IP Address** enables an unregistered station to speak the IP address when the call button is pressed. **Read IP Address** box is checked, i.e. enabled, by default.
- **Ethernet Speed 10 Mbits/s**
 - Check the box if the switch is configured to 10 Mbit/s. Default Ethernet speed is 100 Mbit/s.
- **Enable RSTP** (for Industrial & Ex)
 - Check the **Enable RSTP** box to enable RSTP. - RSTP is only required when using redundant networking
- Click **SAVE** followed by **APPLY**

4.3 Audio Settings

- Select **Advanced ICX-AlphaCom > Audio**

Description	Configuration	
Volume Override Level:	8	Sets the volume during volume override. Volume and handset override happens during Emergency Group calls.
Microphone Sensitivity:	2	Default value 4. 0 = very low sensitivity
Digital/Analog Mic Switch:	Always Digital	Default is Always Digital. Switch from Digital to Analog Mic based on settings. Analog I/O Pin: When I/O Pin is triggered, Analog Mic is used, when not Digital Mic is used. Analog I/O Pin Call End: Analog Mic is switched On (Digital Off) by first I/O Pin trigger in call and used until call end.
Digital/Analog Mic Switch Pin:	None	Input/Output Pin for Digital/Analog Mic switching. This doesn't affect other I/O pin configured functionality. NOTE: Pin must be configured as Input.
Mute speaker while analog mic:	<input type="checkbox"/>	Mute speaker while Analog Mic is used.
Voice Engine Mode:	Voice	Default is Voice. Use HD-Audio only on devices that handle high quality music streaming/playback NOTE: Changing this will reboot main application
Volume Control Ch1:	0	Audio Channel 1 Offset Gain (default routed to Amplifier/Speaker) Valid range: [-62..+24] dB
Volume Control Ch2:	0	Audio Channel 2 Offset Gain. (default routed to Line Out Amplifier) Note! In Standard Turbine ch2 is same signal as ch1 Valid range: [-62..+24] dB
Conversation Mode:	Full Open Duplex	
Audio profile:	Normal	
Hardware AGC:	Disabled	Select Manual Control to enter own values
Hardware DRC:	<input type="checkbox"/>	Dynamic Range Compression
Automatic Gain Control (AGC):	<input type="checkbox"/>	Automatic Gain Control. If speech level and environmental noise are very unstable it may be turned on.
Audio Out Source:	Voice Audio	Main Audio Out (Speaker) Sources
Line Out Source:	Audio Ch2	Line out can play audio either from VoIP signal or direct from microphone
Add number of "Mixer Channels":	0	ICX-AlphaCom Multi-Conference Mixer function
Automatic Volume Control (AVC):	<input type="checkbox"/>	Volume depends on noise level
AVC Debug:	<input type="checkbox"/>	Shows current volume level on OLED display
AVC Advanced	<input type="checkbox"/>	Check to open advanced settings
Far-End Audio Squelch:	Disabled	Audio Squelch on Far-End Signal (suppress audio on low signal levels)
Squelch Threshold:	-60	Threshold level for suppressing audio signal Valid range: [-92..0] dBm0
Squelch Activate Delay:	100	Delay time with signal below threshold level before squelch is activated. Valid range: [0..10000] ms

- Select or set values for the parameters:

Audio Settings:

- **Volume Override Level**
 - Select the Volume Override Level in the range 0 to 8 from the drop-down box. The default setting is 7.
- **Microphone Sensitivity**
 - Select the sensitivity level in the range 0 to 7 from the drop-down box. The default setting is 4.

! Note! If used as a local PA panel, a setting in the 1 to 3 range will reduce the chance of acoustic feedback (howling).

- **Digital/Analog Mic Switch**
 - Switches from Digital to Analog Mic based on settings.
 - Options: **Always Digital** (Default), **Always Analog**, **Analog I/O Pin**, **Analog I/O Pin Call End**
 - **Mute speaker while analog mic**
- **Voice Engine Mode**
 - **Voice:** Regular audio quality (default).
 - **HD-Audio:** Play audio in PCML16/48kHz format. Use **HD-Audio** only on devices that handle high quality music streaming/playback, typically IP loudspeakers and Turbine kits used as PA interface.
- **Volume Control Ch1/Ch2**
 - Offset Gain (default routed to Amplifier/Speaker)
 - Valid range: -62 to +24 dB

! Note! This feature must be used with caution as incorrect settings may severely degrade the performance of the echo-cancelling algorithm.

- **Conversation Mode**, For this parameter, there are five options:
 - **Full Open Duplex**: Normal mode with echo cancellation
 - **Robust Duplex**: Option used when open duplex fails due to excessive speaker loudness, microphone overload or very high nonlinear distortions.
 - **Half Duplex Switching**: Switches speech direction depending on who speaks the loudest
 - **Push-To-Talk**: Half-duplex communication. Initially the microphone is shut off. Push the M-button to open the microphone, and release to listen. (Only applicable to stations with M-key)
 - **Open**: Full Open Duplex without echo cancellation
- **Audio Profile**
 - Normal: Standard Acoustic Echo Cancelling (AEC) Profile with a few extra filters added to try to minimize the effects on the voice-signal when operating in a standard environment.
 - Noisy Environment: Environment with high noise levels but maximum speaker level is not required.
 - Very Noisy Environment: Extreme environment with very high noise level and maximum speaker level is required.
- **Hardware DRC**, Enables **Dynamic Range Compression**
- **Hardware AGC** Enables **Automatic Gain Control**. Options are **Disabled, Quiet Area, Noisy Area, Manual Control**. When selecting Manual Control, there will be more advanced AGC parameters available.
- **Automatic Gain Control (AGC)**, If speech level and environmental noise is very unstable, it may be turned on.
 - **AGC Speed**: 0..3 selects different attack/release times. Lesser values mean faster attack and slower release time.
 - **AGC Volume**: 0..7 corresponds to -20..0 dBm
- **Audio Out Source**, Main audio out (speaker) sources:
 - **Voice Audio**: Plays audio from VoIP signal
 - **LineIn Idle**: Plays audio from the Line IN input when the station is in idle. During a call, plays audio from the VoIP signal.
 - **LineIn Idle + GPIO-6**: If input 6 is activated while the station is in idle, plays audio from the Line IN input. Otherwise, plays audio from the VoIP signal.
- **Audio Input Source (Turbine Extended only)**
 - **Normal Microphone (default)**: Select this option when using an electret microphone as audio source. On the TKIE kit, the microphone is connected to connector P6, pins 3 & 4.
 - **Line In**: Select this option when using an external audio source with line level. On the TKIE kit, the line Input is on connector J8, pins 8 & 9.
- **Line Out Source**, Line Out can play audio either from VoIP signal or directly from microphone.
 - **Audio Ch2**: Plays audio from VoIP signal.
 - **Microphone before AEC**: The analog and digital (only 4.7 software) microphone signal is sent to Line Out. The loudspeaker signal is picked up by the microphone through the air, and also sent to the Line Out. There is no signal processing done.
 - **Microphone after AEC**:
 - If the station is in Open Mode: The microphone signal is sent to Line Out. The speaker signal is picked up by the microphone through the air, and also sent to the Line Out. Echo Canceling won't work, but Noise Reduction works. Audio from mic should be heard all the time on Line Out, while audio from other party should be heard only when PTT is pressed by said party.
 - If the station is in Full Duplex Mode: The microphone signal is sent to Line Out.
- **Add number of "Mixer Channels"**, ICX-AlphaCom Multi-Conference Mixer function.
- **Automatic Volume Control (AVC)**, Automatically adjusts the volume according to background noise level.
- **AVC Debug**, Shows current volume level on OLED display.

- **AVC Advanced**
 - **AVC Lower Threshold**: Threshold level for AVC starts working. Valid range: [-92..0] dBm0
 - **AVC Upper Threshold**: Threshold level for AVC stops working. Valid range: [-92..0] dBm0
 - **AVC Attack Rate**: How fast gain is raised when ambient noise level is increasing. Valid range: [0..100] 1/10th db/sec ([0.1..10] dB/sec)
 - **AVC Decay Rate**: How fast gain is reduced when ambient noise level is falling. Valid range: [0..100] 1/10th db/sec ([0.1..10] dB/sec)
 - **AVC Hysteresis**: Required mic signal change level before new gain is adjusted. This is applied when there is a change in gain directions. Valid range: [1..10] db
 - **AVC Lockout Time**: Time for successive frames after AVC lock, due to far-end active or optional high near-end signal, before commencing AVC adjustments. A negative sign locks AVC if signal is above upper threshold. Valid range: [1..10] db
- **Far-End Audio Squelch**, Enables Audio Squelch on Far-End Signal (suppresses audio on low signal levels).
- **Squelch Threshold**, Signal level below this threshold will be suppressed to silence. Range is 0dB to -92dB. Default is -60dB.
- **Squelch Activate Delay**, Delays time with signal below threshold level before squelch is activated. Squelch is turned off again on first audio frame with level above threshold. This will implement a simple hysteresis hindering too rapid on/off with a signal changing around threshold.

4.4 I/O Settings

The I/Os can either be configured as an Input or as an Output. By default all I/Os are set as Inputs.

- Select **Advanced ICX-AlphaCom > I/O Settings**

Description	Configuration
Fast Blink Pattern	111000111000111000111000
Slow Blink Pattern	11111111111110000000000000
I/O Pin 1:	Input 1
I/O Pin 2:	Input 2
I/O Pin 3:	Input 3
I/O Pin 4:	Input 4
I/O Pin 5:	Input 5
I/O Pin 6:	Input 6
Relay:	Pin Number 7

I/O Settings:

- **Fast Blink Pattern**
 - Set the fast blink pattern for the LEDs
- **Slow Blink Pattern**
 - Set the slow blink pattern for the LEDs
- Select either **Input** or **Output** options from the drop-down box for I/O Pins 1 to 6

4.5 Address Book

Note! Only the Turbine Compact station configured as a Scrolling Station (TCIS-6, TCIV-6+, TFIE-6) under Main Settings will have this menu option.

- Select **Advanced ICX-AlphaCom > Address Book**

Upload Address Book

Warning: Uploading new address book will delete existing address book entries.

Address Book Entries

Address Book:

- Display Text**
 - The idle text shown in the display may be changed. The default text is: **Scroll to Select**
- Font Size**
 - The font size can be either **12** or **16**
- OLED Brightness**
 - Select Brightness levels: **Extra Dim, Dim, Default, Bright, Extra Bright, Max Brightness**
- Start Scrolling After**
 - Set the time in minutes, after which horizontal scrolling of the display text should start.
- Menu Text Color**
 - The text color can be either **Dark** or **Light**
- Sort Address Book**
 - Sort according to: **Name Ascending/Descending, No Ascending/Descending**
- Show Number**
 - Set: **No** or **Yes**

- Download or View Address Book**
 - DOWNLOAD** or **VIEW** the address book

- Upload Address Book**, A CSV file consisting of directory numbers and display text with the semi-colon character (;) as delimiter may be uploaded.
 - Click **Choose File** to upload a CSV file

- Address Book Entries**
 - Fill in the **Number** and **Name** for each entry and click **ADD**

Up to 50 entries may be added.

AddressBook	
	A
1	118;Guardroom
2	121;Logistics
3	201;Stockroom
4	202;Meeting Room
5	203;Accounting
6	204;Garage
7	205;Reception
8	206;Canteen

4.6 OLED Labels

Note! Only Turbine Compact stations configured with OLED Labels (TCIS-4, TCIS-5) under Main Settings will have this menu option.

- Select **Advanced ICX-AlphaCom > OLED Labels**

- OLED Display Text**
 - Enter display text in the relevant fields for OLED 1 and OLED 2.
- OLED Font Size**
 - The font size can be either **12** or **16**
- OLED Brightness**
 - Select Brightness levels: **Extra Dim, Dim, Default, Bright, Extra Bright, Max Brightness**
- Start Scrolling After**
 - Set the time in minutes, after which horizontal scrolling of the display text should start.
- Menu Text Color**
 - The text color can be either **Dark** or **Light**

4.7 Sound Detection

- Select **Advanced ICX-AlphaCom > Sound Detection** from the menu

Main	Station Administration	Advanced ICX-AlphaCom	Advanced Network
> Audio	Sound Detection Settings		
> DAVC Settings	Description	Configuration	
> Offline Relays	Sound Detection status:	DISABLED	
> I/O Settings	Minimum amplitude (dBA):	57	
> Keyboard Settings	Minimum duration of audio (ms):	100	
> Sound Detection	DAK key to activate:	5	
> RTSP Settings	Minimum time before reactivation (ms):	2000	
> Time Settings	Report DAK key off after (ms):	3000	
	SAVE		

Sound Detection Settings:

Here you can set the minimum amplitude and duration of the audio, the DAK to activate, etc.

4.8 Time Settings

- Select **Advanced ICX-AlphaCom > Time Settings** from the menu

Main	Station Administration	Advanced ICX-AlphaCom	Advanced Network
> Audio	Time Settings		
> DAVC Settings	Description	Configuration	
> Offline Relays	Enable Network Time Protocol:	<input checked="" type="checkbox"/>	
> I/O Settings	NTP server:	pool.ntp.org	
> Keyboard Settings	Select Region:	Europe	
> Sound Detection	Select Zone:	London	
> RTSP Settings	Enter Manual Date & Time:	2015 01 01 01 00 yyyy-MM-dd-hh-mm	
> Time Settings	SAVE		

Note: It may take a couple of minutes before the NTP client updates time at startup or after hostname change.

Time Settings:

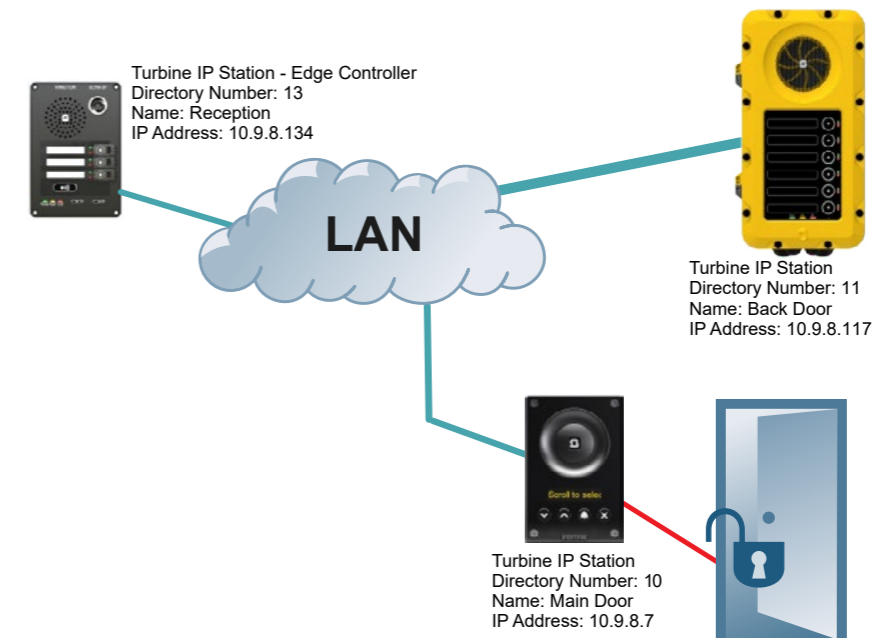
You can enable Network Time Protocol, and select the region and time zone. You can also enter the date and time manually.

5 ICX-EDGE Configuration

IC-EDGE is an IP-based intercom system for up to 32 intercom stations, expandable to 64 stations. The IC-EDGE system is easy to install and configure via a standard web browser.

For more information on IC-EDGE configuration, see wiki.zenitel.com/wiki/Category:IC-EDGE_Configuration.

One of the stations must be set as the **Edge Controller**. The Edge Controller acts as a server for the other intercom stations in the system. Any Turbine device can serve as an Edge Controller.



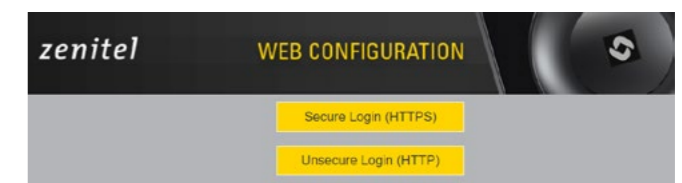
5.1 Logging into the Station

Ensure that the IP address of your PC is in the same range as that of the station IP address. Access the station by logging into the web interface using a standard web browser on your PC:

- Open a web browser
- In the browser's address bar, type the station IP address and press the ENTER key - The station login page will be displayed.

To log into the station:

- Click **Login**
- Enter the default User name: **admin**
- Enter the default Password: **alphaadmin**



The **Station Information** page will now be displayed, showing the IP station configuration and status.

! Note! The user interface and parameters displayed in the following sections are dependent on the Turbine station type (Compact, Industrial or Ex) selected.

5.2 Main Settings

- Select **Main > Main Settings** to access the page for configuring station mode and IP parameters.

Mode

Select preferred mode for your device. If your system is Edge, please log on to the device you will use as the Edge Controller. You can do all configuration of your devices from the Edge Controller.

ICX-AlphaCom
 Exigo
 SIP
 Edge
 Edge Controller

Product Model And Accessory

Model:

IP Settings

DHCP Static IP

IP Address: 10 - 9 - 0 - 134

Subnet Mask: 255 - 255 - 255 - 0

Gateway: 10 - 9 - 0 - 1

DNS Server 1: 0 - 0 - 0 - 0

DNS Server 2: 0 - 0 - 0 - 0

Hostname: zenitel08020b

Disable Reset to Factory default settings using frontboard and I/O:

Read IP Address:

Ethernet Speed 10 Mbit/s:

SAVE

Mode:

- Select the **Edge Controller** radio-button

! Edge Controller *must be selected to be able to carry out the configurations described in the following sections.*

Product Model and Accessory: The options presented will depend on the Turbine model (Compact, Industrial or Ex).

- Select one of the options from the Model drop-down box:

- | | | | |
|---|--|---|--|
| <ul style="list-style-type: none"> Model: (for Compact) Kit (TKIS-2) Normal (TCIS-1, TCIS-2, TCIS-3) OLED Labels (TCIS-4, TCIS-5) Scrolling Station (TCIS-6) Mini (TMIS-1, TMIS-2, TMIS-4) | <ul style="list-style-type: none"> Model: (for Extended) TKIE-1 (Kit) TFIE-1 TFIE-2 TFIE-6 ECPIR-3P | <ul style="list-style-type: none"> Model: (for Ex) TFIX-1-V2 TFIX-2-V2 TFIX-3-V2 | <ul style="list-style-type: none"> Accessory: (for Extended & Ex) Handset Handset w/ Offhook Handset w/ Offhook (Normally Closed) Handheld Microphone Headset Headset w/ Auto detect |
|---|--|---|--|

IP Settings:

- DHCP** – DO NOT select this option for the Edge Controller.
- Static IP** – The Edge Controller should always use a Static IP Address. Enter values for:
 - IP-address**
 - Subnet-mask**
 - Gateway**
 - DNS Server 1** (option for network administration)
 - DNS Server 2** (option for network administration)
 - Hostname** (option for network administration)

- Disable Reset to Factory default settings using frontboard and I/O**
 - Check the box to disable factory reset using frontboard and I/O.
- Read IP Address**
 - Read IP Address** enables an unregistered station to speak the IP address when the call button is pressed. **Read IP Address** box is checked, i.e. enabled, by default.
- Enable RSTP** (for Industrial & Ex)
 - Check the **Enable RSTP** box to enable RSTP. RSTP is only required when using redundant networking.
- Click **SAVE** followed by **APPLY**

5.3 Connect to other Intercom Stations

- Connect all other IP intercom stations to the network.

! **Note!** All other IP intercom stations have to be on the same LAN (IP subnet) as the Edge Controller for them to be auto-discovered by the Edge Controller. Stations on a different subnet have to be manually added under **Manually Added Devices**

Wait for the stations to boot up (approximately 60 seconds) before proceeding to the next step.

5.4 Configure Edge Controller Directory

- Log into the Edge Controller station with the new IP address that you have just set under **Station Main > Main Settings**. After login, you will find a new **Edge Controller** tab.
- Select **Edge Controller > System Configuration > Directory**

The **Edge Controller** station will **auto-discover all the other stations** on the LAN. To identify the individual stations on the LAN:

- Click **Play Tone**. You should now hear a tone from the station you selected.

Number	Name	SIP Password	Profile	DHCP / Static IP	Read IP Address	Play Tone
10	Main door		Default			
11	Back door		Default	10.9.8.17		
12	Deliveries		Default	10.9.8.38		
13	Reception		Default	10.9.8.34		
14	Gate A2		Default	169.254.1.100		

Total 5 devices discovered in the system.

You can now set **Numbers, Names, IP addresses, Profiles**, etc. for all the stations in the network. In our example, the Edge Controller is designated as Reception with directory number 13 while the two substations are the Main Door and Back Door with directory numbers 10 and 11 respectively.

- Click **SAVE**. The Edge Controller will now push the directory settings to all the IP intercom stations.

The devices should now have the status **Registered**.

! **Note!** SIP Password is an optional field you can set to increase the security level. The password is used by other intercom stations to register with the Edge Controller.

5.5 Verify System Setup

To verify that the devices are successfully registered to the Edge Controller:

- Select **Edge Controller > System Overview**

Number	Name	Status	IP Address	Profile	Type
10	Main Door	Registered	10.9.8.7	Default	Vingtor-Station Device
11	Back Door	Registered	10.9.8.117	Default	Vingtor-Station Device
12	Deliveries	Registered	10.9.8.127	Default	Vingtor-Station Device
13	Reception	Registered	10.9.8.134	Default	Vingtor-Station Device

- All stations that have been configured should be displayed in the table. Stations that are up and running will have the status **Registered**.

5.6 Configure Call and Audio Settings

It is optional to configure the call and audio settings. Default settings will be used if they are not configured.

- Select **Edge Controller > System Configuration > Call and Audio**

Number	Name	Auto Answer	Speaker Volume	Volume Override Level	ANC	AGC	AVC	Accessory
10	Main door	<input checked="" type="checkbox"/>	5	8	<input checked="" type="checkbox"/>	<input checked="" type="checkbox"/>	<input checked="" type="checkbox"/>	<input type="checkbox"/>
11	Back door	<input checked="" type="checkbox"/>	5	8	<input checked="" type="checkbox"/>	<input checked="" type="checkbox"/>	<input checked="" type="checkbox"/>	<input type="checkbox"/>
12	Deliveries	<input checked="" type="checkbox"/>	3	8	<input checked="" type="checkbox"/>	<input checked="" type="checkbox"/>	<input checked="" type="checkbox"/>	<input type="checkbox"/>
13	Reception	<input checked="" type="checkbox"/>	4		<input checked="" type="checkbox"/>	<input checked="" type="checkbox"/>	<input checked="" type="checkbox"/>	<input type="checkbox"/>

The **Call and Audio** menu include the following parameters:

- Auto Answer.** When not enabled, incoming calls will ring (Private mode) and has to be accepted by the user. When enabled, the call will connect straight through (Open mode). Auto Answer is typically enabled for substations and not for master stations.
- Speaker Volume.** This parameter sets the speaker volume for the station.
- Volume Override Level.** This sets the loudspeaker volume during volume override. Volume Override is used by Group Calls with Emergency priority.
- ANC.** Active Noise Cancellation: When enabled, most of the background noise will be filtered out of the microphone signal.
- AGC.** Automatic Gain Control: When enabled, the microphone signal will automatically be amplified when speaking with a low voice or if you are far away from the station.
- AVC.** Automatic Volume Control: When enabled, the loudspeaker volume is adjusted according to the ambient noise level. AVC will perform better if the **Speaker Volume** is set to a fairly low level, as this will give AVC a more dynamic range for adjustments. Note that AVC adjustment is disabled while the speaker is playing audio. Adjustments are made in silent periods (min. 100 ms silence required).
- Accessory.** If the station model supports accessories (headset, handset, etc.), you can choose the type of accessory here.

5.7 Modify IC-EDGE Device Profiles

The Station Profile defines a set of service features and parameters that are available for a group of devices.

The IC-EDGE system can have five device profiles:

- Profile 1 - Default
- Profile 2 - Substation
- Profile 3 - Display station
- Profile 4 - Operator
- Profile 5 - Gateway

The following service features and parameters are included in the device profile:

- Outgoing Call restriction
- Relay Activation (i.e. Door opening)
- Group Call initiation
- Busy Override

To modify device profiles:

- Select **Edge Controller > Device Profile**

Description	Configuration
Profile nickname	Default
Outgoing calls allowed	<input checked="" type="checkbox"/> Default <input checked="" type="checkbox"/> Substation <input checked="" type="checkbox"/> Display station <input checked="" type="checkbox"/> Operator
Relay activation allowed	<input checked="" type="checkbox"/> Default <input type="checkbox"/> Substation <input type="checkbox"/> Display station <input type="checkbox"/> Operator
Group calls allowed	<input checked="" type="checkbox"/> All call <input checked="" type="checkbox"/> Conf <input checked="" type="checkbox"/> Group call 2 <input checked="" type="checkbox"/> Group call 3
Busy override allowed	<input type="checkbox"/>

SAVE

The following parameters can be set for the station profile:

- Profile nickname**
 - The name of the profile. Any text can be used.
- Outgoing calls allowed**
 - Stations with this profile can call stations with the checked profiles. Forbidden will be displayed on the station if this is denied.
- Relay activation allowed**
 - Stations with this profile can activate the relay (e.g. Door Opening) on stations with the checked profiles.
- Group calls allowed**
 - Stations with this profile are allowed to dispatch the checked group calls
- Busy override allowed**
 - When calling a busy station, stations with this profile can force a connection by pressing 5.

5.8 Group Call

The IC-EDGE system supports 4 Group Calls.

A Group Call is activated by dialing the appropriate code (e.g. 84). A ding-dong chime will be heard on all member stations. Press the M-key to speak, and C-key to disconnect. Alternatively, Group Call can be used in handsfree mode, i.e. no need for pressing the M-key. Stations without any M-key will use handsfree mode by default. Group Call can be answered from any station by dialing the **answer code 99**.

Group Call audio can be sent and received by all Zenitel IP stations and can be sent from most modern SIP IP phones. Group Call audio can be received by SIP IP phones that have support for IP Multicast paging.

- **Operation.** A Group Call is activated by dialing the appropriate code (e.g. 84). A ding-dong chime is heard in all member stations.
 - Press the M-key to speak.
 - Press the C-key to disconnect.
- **Default Group Call Settings.** The factory default settings for group calls are as follows:

Nickname (Display Text)	Directory Number	Priority	Group Members	Chime	Answer
All Call	84	EMERGENCY	All Stations	Ding Dong	Yes
Group Call 1	85	HIGH	None	Ding Dong	Yes
Group Call 2	86	NORMAL	None	Ding Dong	Yes
Group Call 3	87	LOW	None	Ding Dong	Yes

When adding a new station to an existing IC-EDGE system, the station will automatically become a member of the All Call group.

- **Configuration of Group Calls.** The Group Call properties are configured via the Edge Controller.
 - Select **Edge Controller > Group Calls**

The screenshot shows the configuration page for 'Group Call 1 - All call'. The 'Group Audio Address' field is highlighted with a red box and contains the value '239.195.40.64:61060'. Other fields include Nickname (All call), Number (84), Answer Group Call (checked), Answer Timeout (30), Priority (EMERGENCY), Chime (dingdong.wav), Add all devices (unchecked), and Devices in group (checked for 101 TCIS-2, 103 TCIV-6, 104 TMIS-1, 105 IP DeskMaster). A 'SAVE' button is at the bottom.

Change the parameters for each group as required:

- **Nickname.** This is the display text shown in the initiating station when the group call is activated. Can be any text.
- **Number.** The number to dial to activate the group call. If changed, a reboot of the Edge Controller is required for the changes to take effect.
- **Answer Group Call.** Enable Group call answer by pressing "99" and setting the **Answer Timeout**. Default timeout value is 30 seconds to answer after the Group Call has been terminated. Timeout value of 0 means answering is only possible during the Group Call.

- **Priority.** Priorities can be set for one Group Call at a time. A Group Call with higher priority will override a lower priority Group Call.
 - **EMERGENCY:** Volume and handset override. The Group Call audio is mixed with conversation audio
 - **HIGH:** The Group Call audio is mixed with conversation audio
 - **NORMAL:** The Group Call audio is not played if there is an ongoing conversation
 - **LOW:** The Group Call audio is not played if there is an ongoing conversation
- **Chime.** Enables the playing of a ding-dong chime when a device receives a Group Call.
- **Devices in group.** Select the devices that should receive Group Call audio. You can select all devices in one operation by checking the **Add all devices** box.
- **Group Audio Address.** Multicast IP address and port used to send audio during Group Call. This information can be used to set up a IC-EDGE Group Call (multicast page) on 3rd-party SIP stations. There is a **SAVE** button for each Group Call.
 - Remember to click SAVE before you make changes to the next Group Call.

5.9 Configure 3rd-party SIP Devices

Up to 10 3rd-party SIP devices such as SIP phones, SIP Speakers, Soft Phones can be registered to an IC-EDGE System. Each SIP device requires that a SIP User account is defined on the Edge Controller.

5.9.1 Install Licence

Before adding a 3rd-party SIP account to the IC-EDGE system, you need to obtain a license key. For each SIP device used in the system, there must be a valid SIP license installed. To install a license:

- Select **Edge Controller > Licensing**

The screenshot shows the 'Licensing (Key Version 5)' page. It includes a table with columns: License type, Number of Licenses, Currently Used, and Available. The 'SIP-Client Extensions' row is highlighted with a red box and shows 4 licenses available. Below the table is a 'License Key' section with a 'New License' field containing 'Enter license key' and an 'ACTIVATE LICENSE' button.

- Enter the license key in the New License field and click **ACTIVATE LICENSE**
- The **Licensing** table should now show all the licenses that are available.

5.9.2 Create SIP Account

- Select Edge Controller > System Configuration > Directory

Number	Name	SIP Password	Profile	DHCP / Static IP	Read IP Address	Play Tone
10	Main Door		Default			
11	Back Door		Default	10.9.8.17		
12	Deliveries		Default	10.9.8.38		
13	Reception		Default	10.9.8.34		
14	Mr. Alis		Default	169.254.1.100		

Number	Name	SIP Password	Profile	Type
300	SIP Device		Default	3rd party SIP

- Under Manually Added Devices select 3rd party SIP from the dropdown list
- Modify Number and Name as required (a default Number and Name will be inserted which you can modify)
- Optionally one can add a SIP Password. If a password is entered, one has to also manually set the same password in the SIP device itself.
- Click SAVE to store the settings of the new SIP device in the Edge Controller.

5.9.3 Configure SIP Phone

You now have to log into the 3rd-party SIP phone to configure the SIP account to register it with the Edge Controller station. The Directory Number and Password (SIP Account) created in the previous section is used to register the 3rd-party station with the Edge Controller.

5.9.4 Verify Operation

On the Edge Controller device:

- Select Edge Controller > System Overview

Number	Name	Status	IP Address	Profile	Type
10	Main Door	Registered	10.9.8.7	Default	Vingtor-Stentofon Device
11	Back Door	Registered	10.9.8.117	Default	Vingtor-Stentofon Device
12	Deliveries	Registered	10.9.8.138	Default	Vingtor-Stentofon Device
13	Reception	Registered	10.9.8.134	Default	Vingtor-Stentofon Device
14	Mr. Alis	Registered	10.9.8.142	Default	Vingtor-Stentofon Device
300	SIP Device	Registered	10.5.101.115	Default	3rd Party SIP Terminal

- Check that the SIP Device has gotten the Status = Registered

Verify that you can call to and from the SIP Device.

5.10 Advanced Configuration Mode

Settings for Direct Access Keys, Scripts, etc. described in the following sections are only available in Advanced Configuration Mode.

To enter Advanced Configuration Mode:

- Select Main > Recovery

Description	Action
Full reboot	REBOOT
Partial reboot	REBOOT
Factory reset	FACTORY RESET
Factory reset with DHCP	FACTORY RESET

Description	Configuration
Advanced configuration mode	Type offline password to unlock advanced configuration mode

Preferences:

- Enter the offline password 1851 in the **Advanced configuration mode** field.

Description	Configuration
Advanced configuration mode	<input checked="" type="checkbox"/>

- Check the Configuration box
- Click **SAVE**

Advanced configuration mode activated. Reload page to continue.

- Click **RELOAD**

A new tab called **Edge Configuration** will now appear:

The screenshot shows the 'Edge Configuration' tab selected. On the left is a navigation menu with options like Audio, Direct Access Keys, Relays / Outputs, Time, I/O, Frontboard Mapping, RTSP, Script, Script Events, Script Upload, Audio Messages, Multicast Paging, and Certificates. The main content area is divided into two sections: 'Account Settings' and 'Call Settings'. 'Account Settings' includes fields for Name (TCIS-2), Number (SIP ID) (101), Server Domain (SIP) (10.9.5.105), Backup Domain (SIP), Backup Domain 2 (SIP), Authentication User Name (101), Authentication Password, Register Interval (600), and Register Failure Interval (60). 'Call Settings' includes 'Enable Auto Answer' (checked), 'Auto Answer Delay' (0 seconds), and 'Press and Hold Time' (0 seconds).

5.11 Direct Access Key & Ringlist Settings

There are two ways of configuring DAKs, Inputs and Ring List functions.

1. Via the Edge Controller whereby all stations in the system can be configured:
 - Select **Edge Controller > System Configuration > Direct Access Keys**
2. Via each individual station as describe below:
 - Select **Edge Configuration > Direct Access Keys**

This screenshot shows the 'Direct Access Keys' configuration page. It features a table with columns for 'Function', 'Idle', 'Call', 'No Ringlist', and 'Normal'. The table lists settings for 'Button 1' and 'Input 1' through 'Input 6'. For each input, the 'Idle' action is set to 'Call To' with a text input field, and the 'Call' action is set to 'Do Nothing'. A 'SAVE' button is located at the bottom right of the configuration area.



Note! The availability of these parameters and the number of keys depend on the Turbine station type selected under **Main Settings**.

DAKs and Inputs have two states:

Idle: There is no active call on the station.

Call: There is an incoming, outgoing or active call on the station.

Idle:

In Idle state the following options are available (available options will depend on the station type):

- **Call To:** Enter the directory number to call when the DAK/Input is pressed. Extended call options (parallel ringing, call escalation, etc.) are available if the call is routed via the Ringlist.
- **Forward Call:** Forward calls to the configured destination. Forwarding will be toggled On/Off every time the DAK key is pressed. Forwarding status is shown on DAK keys LEDs (ECPIR panel). Red LED indicates that Forwarding is turned on. The Forwarding function is not available on INCA stations, Substations and Kits.
- **Group Call:** Enter the directory number of the Group Call to call when the DAK/Input is pressed. Two modes of operation are available:
 - Open (No M-key): When the DAK key is activated, the microphone is open, and the user can talk handsfree
 - PTT (M-key): When the DAK key is activated, the user must activate the microphone by pressing and holding the M-key (PTT key)
- **Conversation Mode:** The station will toggle between Simplex mode (PTT - Press To Talk) and duplex mode (hands-free) every time the DAK is pressed. The selected mode is permanently stored. This function works in idle as well as during a call.
- **Volume Control:** Change speaker volume by 1 point (+/- 4 dB). This function works in idle as well as during a call. There are two options:
 - Down: decrease speaker volume by 1 point
 - Up: increase speaker volume by 1 point

Call:

During an active Call the following options are available (available options depend on station type):

- **Do Nothing:** No action executed if the DAK/Input is activated during a call (Default)
- **Answer/End Call:** Answers an incoming call, and ends an active call. Action can be executed either **On Key Press** or **On Key Release**. Has an option to also **Answer Group Call**.
- **End Call:** Ends an active call. Action can be executed either **On Key Press** or **On Key Release**
- **Answer Call:** Answers an incoming call. Has an option to also **Answer Group Call**.
- **Transfer Call:** The "Transfer Call" function can work in two modes:
 - Transfer immediately on key press when destination call number is configured
 - Select transfer destination manually. When a destination call number is not configured, a key press will set the station in "Transfer Mode", waiting for the user to dial the transfer destination, or to transfer to a predefined destination by pressing a key with "Call" action.

The active call is immediately hung-up if the transfer has progressed. If transfer fails (e.g. destination not found), the transfer will be aborted.

- **Park Call:** Places a call on hold into a specific parking location (a fictional number) such that the call can then be picked up by another number.
- **Hold Call:** When a “Call” button is configured to do “Hold Call” during the call, the button has different functionalities depending on the current state:
 - Incoming Call: Accept call
 - Established call: Put call on hold (disable audio)
 - On hold: Resumes a call (enable audio)
- **Send DTMF:** Sends configured DTMF for key press and key release.
- **Send Text:** Sends configured text for key press and key release. Enter text in the text field.
- **Push To Talk:** Configure key to behave like a PTT key during active call.
- **Standby:** Standby will reduce the volume of local speaker by a selected dB value, for the duration of the call or until pressed again.
- **Defer:** Enables you to save the details of a call as it has been logged or updated, and to put off any action until a later stage.

Depending on the type of station and configured accessories, DAK Settings may also show additional options:

- Module keys 1.... n (e.g. ECPIR-3P expansion module buttons)
- PTT / M-key
- Offhook
- Onhook

5.11.1 Ringlist Settings

- Log on to the web interface of the station that will be making the call to configure the ringlist of the stations that should be called.

To configure a ringlist:

- Select **Edge Configuration > Direct Access Keys**

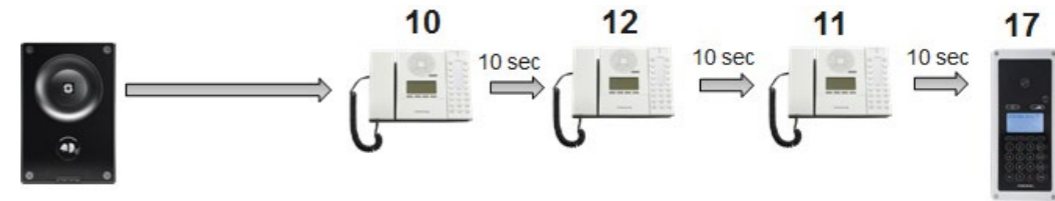
There are variants of ringlists that can be set such as ringing time intervals, loopback, and ringing together with previous stations.

! Note! Some telephone gateways accept a call immediately on incoming calls – even before the call has been accepted by the user (telephone). This terminates the ringlist sequence and any subsequent numbers in the ringlist will never be called. This is solved by placing the gateway number at the end of the ringlist and disabling the “With Previous” option. Ringlists that include an auto-accepting gateway will never loop back.

5.11.1.1 Forward Unattached Call

The screenshot shows the 'Account Settings' page for 'Direct Access Keys'. The 'Function' section is highlighted with a red box, showing 'Button 1' configured with 'Idle: Call To' (10), 'Call: Answer Call', and 'Ringlist 1'. Below this is a table for 'Ringlist Settings' with columns for Ringlist 1, 2, 3, and 4, and checkboxes for 'With Previous'. The 'Ringlist 1' column has values 12, 11, 17, and an empty field. The 'With Previous' checkboxes are all unchecked. At the bottom, 'Ringling Time' is set to 10 seconds and 'Max Conversation Time' is set to 0 seconds. A 'SAVE' button is visible at the bottom right.

The above example ringlist setting may be illustrated as follows:



Via the Ringlist, an unattended call can be forwarded to another station after a preset time. The call forwarding can include several stations.

In the example, when the call button is pressed, the call goes to station number 10. If not answered within 10 seconds, the call will be forwarded to station number 12. If not answered, the call will be routed to 11, and finally to station number 17.

5.11.1.2 Forward Unattached Call with Loopback

Main | Edge Configuration | Station Administration | Edge Controller | Advanced Network

Account Settings

Function	Idle	Call	Ringlist	Normal
Button 1	Call To	10	Ringlist 1	Normal
	Call:	Answer Call	Filter Dir. No.	<input type="checkbox"/> Answer Group Call
Input 1	Call To		No Ringlist	
	Call:	Do Nothing		
Input 2	Call To		No Ringlist	
	Call:	Do Nothing		
Input 3	Call To		No Ringlist	
	Call:	Do Nothing		
Input 4	Call To		No Ringlist	
	Call:	Do Nothing		
Input 5	Call To		No Ringlist	
	Call:	Do Nothing		
Input 6	Call To		No Ringlist	
	Call:	Do Nothing		

SAVE

Ringlist Settings

	Ringlist 1	With Previous	Ringlist 2	With Previous	Ringlist 3	With Previous
Value 1	12	<input checked="" type="checkbox"/>		<input type="checkbox"/>		<input type="checkbox"/>
Value 2	11	<input type="checkbox"/>		<input type="checkbox"/>		<input type="checkbox"/>
Value 3	17	<input type="checkbox"/>		<input type="checkbox"/>		<input type="checkbox"/>

Loop Ringlist (loops the ringlist)

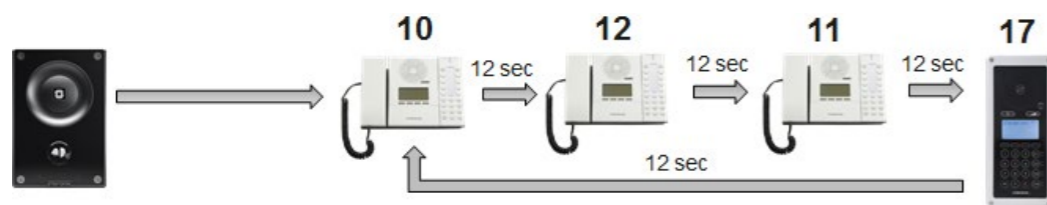
Max Loop Number 3 (0 = loop until answered)

Ringling Time 12 seconds, (0=unlimited)

Max Conversation Time 0 seconds, (0=unlimited)

SAVE

The above example ringlist settings may be illustrated as follows:



Via the Ringlist, an unattended call can be go through a call loop a preset number of times.

In the example, when the call button is pressed, the call goes to station number 10. If not answered within 12 seconds, the call will be forwarded to station number 12. If not answered, the call will be routed to 11, and finally to station number 17. Now the call is looped back to station number 10, repeating the same call pattern 3 times.

5.11.1.3 Parallel Ringing - Forward Call if Unattended

Main | Edge Configuration | Station Administration | Edge Controller | Advanced Network

Account Settings

Function	Idle	Call	Ringlist	Normal
Button 1	Call To	10	Ringlist 1	Normal
	Call:	Answer Call	Filter Dir. No.	<input type="checkbox"/> Answer Group Call
Input 1	Call To		No Ringlist	
	Call:	Do Nothing		
Input 2	Call To		No Ringlist	
	Call:	Do Nothing		
Input 3	Call To		No Ringlist	
	Call:	Do Nothing		
Input 4	Call To		No Ringlist	
	Call:	Do Nothing		
Input 5	Call To		No Ringlist	
	Call:	Do Nothing		
Input 6	Call To		No Ringlist	
	Call:	Do Nothing		

SAVE

Ringlist Settings

	Ringlist 1	With Previous	Ringlist 2	With Previous	Ringlist 3	With Previous
Value 1	12	<input checked="" type="checkbox"/>		<input type="checkbox"/>		<input type="checkbox"/>
Value 2	11	<input type="checkbox"/>		<input type="checkbox"/>		<input type="checkbox"/>
Value 3	17	<input checked="" type="checkbox"/>		<input type="checkbox"/>		<input type="checkbox"/>

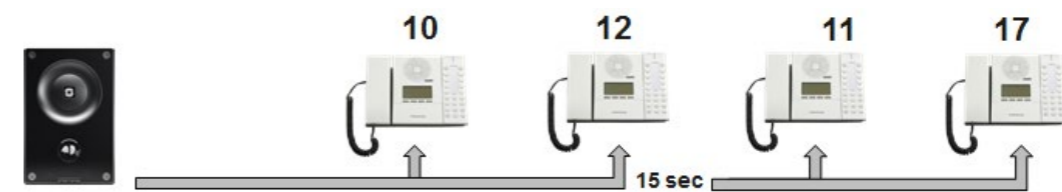
Loop Ringlist (loops the ringlist)

Ringling Time 15 seconds, (0=unlimited)

Max Conversation Time 0 seconds, (0=unlimited)

SAVE

The above example ringlist setting may be illustrated as follows:



By checking the **With Previous** box in the Ringlist, one can call several stations in parallel. When one of the stations answers, it will stop ringing in the other(s).

In the example, when the call button is pressed, the call goes to station number 10 and 12 in parallel. If not answered within 15 seconds, the call will be forwarded to stations number 11 and 17.

5.12 Script Settings

Script (Virtual I/O) is a feature for activating scripts on station events.

These scripts can be uploaded and configured via the menu options:

- Script Upload
- Script
- Script Events

The Turbine station should be operating in **Edge** mode.
Turbine Stations Technical Manual

5.12.1 Script Upload

- Select **Edge Configuration > Script Upload**

Upload Script:

- Click **Choose File** to select the desired script
- Click **UPLOAD** to upload the desired script

5.12.2 Script Configuration

- Select **Edge Configuration > Script**

Digital Outputs - Scripts:

- Select the script Slot 1 - Slot 10 to configure
- Assign a logical name to the script in the Assign a Label field
- Enter the script to activate and add parameters in the text field under the Enter script in selected slot field

5.12.3 Script Events

- Select **Edge Configuration > Script Events**

Digital Outputs - Events:

- Set the Digit for the Event to Execute

5.13 Audio Messaging

Prerecorded audio messages can be uploaded to a Turbine which can be triggered by various events occurring on the station. The audio message playback can be triggered by 3 main events: DTMF, Call, Relay. There are two ways of configuring audio messages.

- Via the Edge Controller whereby all stations in the system can be configured:

- Select **Edge Controller > System Configuration > Special Settings**

- Via each individual station as describe below:

- Select **Edge Configuration > Audio Messages**

5.13.1 Updating Audio Files

- Select **Edge Configuration > Audio Messages**

Under **Upload Media**:

- Click **Choose File** to browse to the desired audio file
- Click **UPLOAD**

The file will now appear in the list of audio files under **Media**.

After the upload, the amount of space left of the maximum of 20 MB is displayed. It is possible to delete audio files to free up more space by clicking **Delete**.

5.13.2 Play Message on DTMF Event

An audio message can be played on receiving DTMF tones during a call. Valid digits are **DTMF 0 - 9, *, #**. The event can be filtered by directory number (SIP ID).

Message Settings

Choose Message	Event	Option
RingTone.wav	Call	Call Ringing Outgoing Dir. No / SIP ID Speaker File Then Tone
Choose Message	Unused	

In the configuration example above, the audio file “ringcd.wav” will be played when the station receives DTMF 3 during a call (i.e. the other party in the conversation presses digit 3 on his keypad).

! **Note!** The call must be established before the DTMF digit is sent, otherwise the message will not be triggered. The message will be played once, and mixed with the conversation audio.

5.13.3 Play Message on Call Event

An audio message can be played on **Incoming/Outgoing, Incoming, Outgoing** call direction. It can in addition be filtered by directory number (SIP ID). The following call events are supported:

- **Call Ringing:** Incoming/Outgoing call on the station (no auto-answer)
- **Call Queued:** Outgoing call from the station has been queued on the master station
- **Call Accepted:** Incoming/Outgoing call on the station has been accepted/answered
- **Group Accepted:** Outgoing Group Call from the station has been established
- **Call Ended:** Incoming/Outgoing call on the station has been ended/hung-up/cancelled
- **On Hold:** A call from the station has been put on hold by remote master station
- **Transferred:** A call from the station has been transferred by remote master station to a third station, and the station is ringing (no auto-answer). “Your call has been transferred, please wait...” message will be played on the station. The event will not be triggered on the master station that initiated the transfer.

You can choose whether the message should be played once, or be repeated until the Call Event is ended:

- **One Time:** The audio message will be played once.
- **Repeat:** The message will be repeated with a time interval set in **Pause** until the call event is ended.
- **File Then Tone:** The audio message will be played once, followed by the standard ringing tone.

The example below shows a setting where a reassurance message (e.g. “Your call has been registered, please wait”) will be played to the caller while waiting for the receiving station to answer:

Message Settings

Choose Message	Event	Option
RingTone.wav	Call	Call Ringing Outgoing Dir. No / SIP ID Speaker File Then Tone
Choose Message	Unused	

The audio message will be played once, followed by the standard ringing tone.

5.13.4 Play Message on Relay Event

An audio message can be played when a Relay or an Output changes state. Available states are: **On, Off, Slow Blink, Fast Blink**.

The example below shows a setting where a message (e.g. “The door is open, please enter”) will be played when the relay of the door station is operated:

Play a message when the relay at the door station is operated

Message Settings

Choose Message	Event	Option
Door Open.wav	Relay	Relay 1 On Speaker
Choose Message	Unused	

The audio message will be played once and mixed with the conversation audio.

5.13.5 Routing of Audio Message

The audio message can be routed to: **Speaker** or **Speaker & Mic**

The audio message is always routed to the loudspeaker of the station, but there is an option to send the audio message as a “Microphone” signal as well. This means that the audio message can be transmitted to the other party during an established call. The “Speaker & Mic” option is feasible for the call events **Call Accepted** and **Group Accepted**. When “Speaker & Mic” option is selected, the microphone signal will be disabled while the message is playing. Once the message has stopped playing, the microphone will be enabled again.

The example below shows a setting where a when an elevator alarm is triggered, and the operator answers the call, the location of the alarm will be played as a voice message:

Message Settings

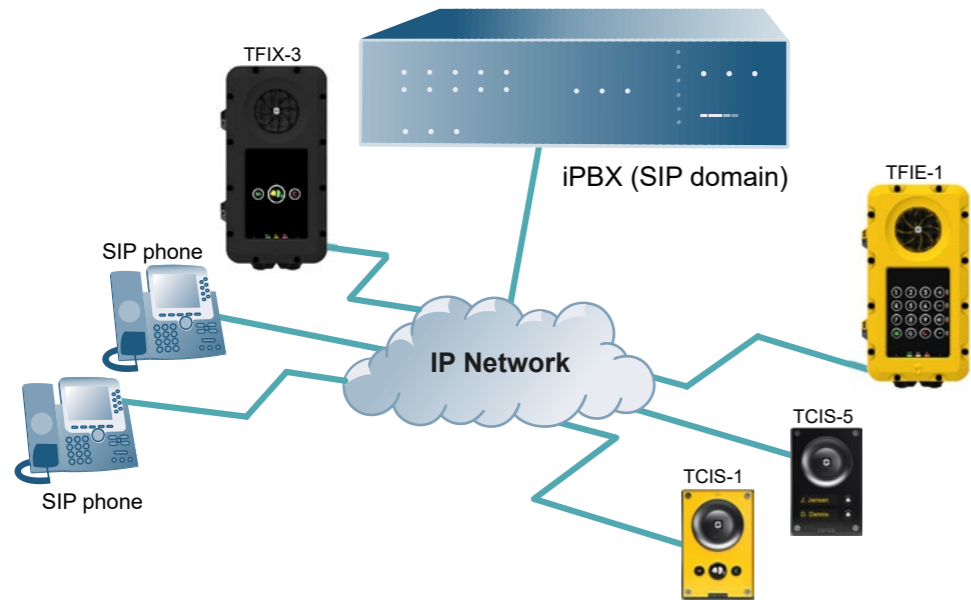
Choose Message	Event	Option
Elevator B5.wav	Call	Call Accepted Outgoing Dir. No / SIP ID Speaker & Mic One Time
Choose Message	Unused	

When the alarm call from the elevator intercom is answered, an audio message, e.g. “Alarm Call from Elevator B5”, is played in the elevator and to the receiver of the call.

6 SIP Configuration

SIP (Session Initiation Protocol) is the de facto standard for IP telephony. The Turbine SIP intercom stations are specially built for easy integration with any IPBX system.

For more information on SIP configuration, see wiki.zenitel.com/wiki/SIP_Intercom_Configuration



The following sections describe configuration procedures using the web interface of the station.

6.1 Logging into the Station

Ensure that the IP address of your PC is in the same range as that of the station IP address. Access the station by logging into the web interface using a standard web browser on your PC:

1. Open a web browser
2. In the browser's address bar, type the station IP address and press the ENTER key. - The station login page will be displayed.

To log into the station:

1. Click **Login**
2. Enter the default User name: **admin**
3. Enter the default Password: **alphaadmin**

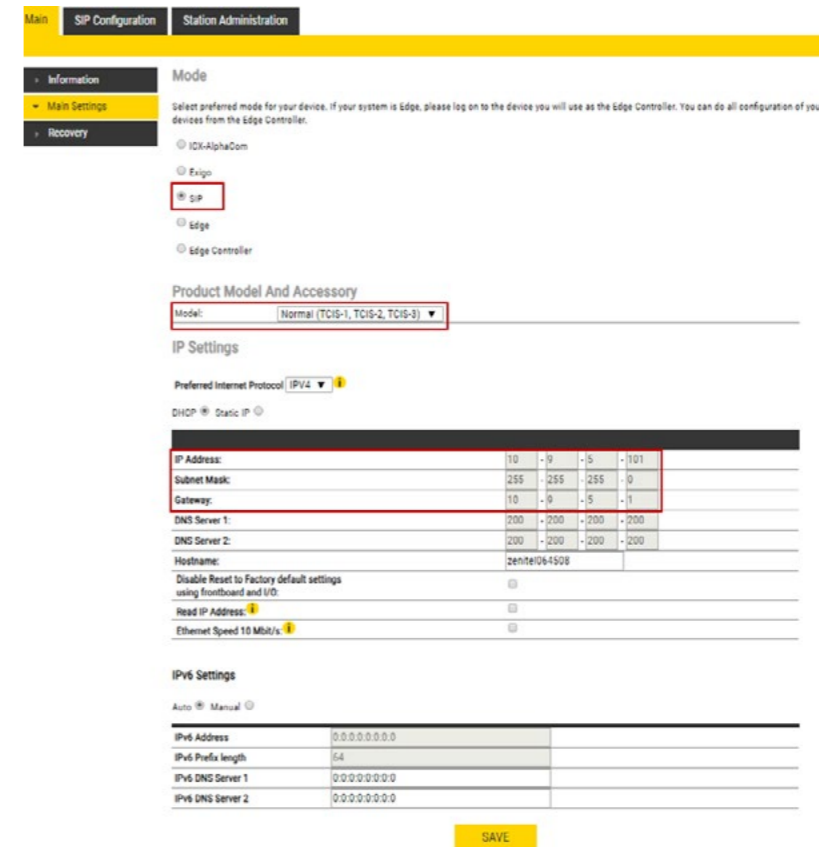


The **Station Information** page will now be displayed, showing the IP station configuration and status.

! Note! The user interface and parameters displayed in the following sections are dependent on the Turbine station type (Compact, Industrial or Ex) selected.

6.2 Main Settings

- Click **Main > Main Settings**



Mode:

- Select the SIP radio-button

Product Model And Accessory: The options presented will depend on the Turbine model (Compact, Industrial or Ex).

- Select one of the options from the Model drop-down box:

- **Model: (for Compact)**
 - Kit (TKIS-2)
 - Normal (TCIS-1, TCIS-2, TCIS-3) OLED
 - Labels (TCIS-4, TCIS-5)
 - Scrolling Station (TCIS-6)
 - Mini (TMIS-1, TMIS-2, TMIS-4)
- **Model: (for Extended)**
 - TKIE-1 (Kit)
 - TFIE-1
 - TFIE-2
 - TFIE-6
 - ECPIR-3P
- **Model: (for Ex)**
 - TFIX-1-V2
 - TFIX-2-V2
 - TFIX-3-V2
- **Accessory: (for Extended & Ex)**
 - Handset
 - Handset w/ Offhook
 - Handset w/ Offhook (Normally Closed)
 - Handheld Microphone
 - Headset
 - Headset w/ Auto detect

IP Settings:

- DHCP – Select this option if the IP station shall receive IP Settings from a DHCP server.
- Static IP – Select this option if the IP station shall use a static IP address. Enter values for:
 - IP-address
 - Subnet-mask
 - Gateway
 - DNS Server 1 (option for network administration)
 - DNS Server 2 (option for network administration)
 - Hostname (option for network administration)

Disable Reset to Factory default settings using frontboard and I/O:

- Check the box to disable factory reset using frontboard and I/O.

Read IP Address:

- Read IP Address enables an unregistered station to speak the IP address when the call button is pressed. Read IP Address box is checked, i.e. enabled, by default.

Enable RSTP: (for Industrial & Ex)

- Check the Enable RSTP box to enable RSTP. RSTP is only required when using redundant networking.
- Click SAVE followed by APPLY

6.3 Account/Call Settings:

- Select **SIP Configuration > Account / Call**

The screenshot shows the 'SIP Configuration' interface with the 'Account / Call' tab selected. The 'Account Settings' section includes fields for Name (TCIS-2), Number (SIP ID) (101), Server Domain (SIP) (10.9.5.101), Backup Domain (SIP), Backup Domain 2 (SIP), Registration Method (Parallel), Authentication User Name (101), Authentication Password, Register Interval (600), Register Failure Interval (60), Outbound Proxy (optional) (Port: 5060), Outbound Backup Proxy (optional) (Port: 5060), Outbound Backup Proxy 2 (optional) (Port: 5060), Outbound Transport (UDP), SIP Scheme (sip), RTP Encryption (disabled), SRTP Crypto Type (AES_CM_128_HMAC_SHA1_80), Use Unencrypted SRTCP (checkbox), Verify TLS hostname (checkbox), and TLS Private Key (turbine_server_sha256.key). The 'Call Settings' section includes 'Enable Auto Answer' (checkbox, checked). A 'SAVE' button is visible at the bottom.

Account Settings:

- **Name**
 - Enter a name that will be shown on the display at the remote party.
- **Number (SIP ID)**
 - This is the identification of the station in the SIP domain, i.e. the phone number for the station. This parameter is mandatory. Enter the SIP ID in integers according to the SIP account on the SIP domain server.
- **Server Domain (SIP)**
 - This parameter is mandatory and specifies the primary domain for the station and is the IP address for the SIP server (e.g. Asterisk or Cisco Call Manager). Enter the IP address in regular dot notation, e.g. 10.6.201.10.
- **Backup Domain (SIP)**
 - This is the secondary (or fallback) domain. If the station loses connection to the primary SIP domain, it will switch over to the secondary one. Enter the IP address in regular dot notation.

- **Backup Domain 2 (SIP)**
 - This is the tertiary SIP domain used as backup in case the primary and secondary domains fail.
- **Registration Method**
 - **Parallel:** The station will register to the primary, secondary and tertiary SIP server domains at the same time.
 - **Serial:** The station will always try to register to the first available SIP server domain, starting with the primary domain, followed by the secondary and the tertiary domains.
 - **Top-Down:** This is the same as for Serial registration except that it will always revert to the SIP domains with the higher priority if available. In decreasing order of priority, the primary SIP domain has the highest priority, followed by the secondary domain and the tertiary domain.
 - **Cisco:** This is for the Cisco environment only with Publisher/Subscriber/SRST setup, where the station is normally registered to Publisher. The Subscriber should be assigned as the secondary SIP domain, and SRST gateway as the tertiary domain.
- **Authentication User Name**
 - This is the authentication user name used to register the station to the SIP server. This is required only if the SIP server requires authentication and is normally the same as the SIP ID.
- **Authentication Password**
 - The authentication user password used to register the station to the SIP server. This is required only if the SIP server requires authentication
- **Register Interval**
 - This parameter specifies how often the station will register, and reregister in the SIP domain. This parameter will affect the time it takes to detect that a connection to a SIP domain is lost.
 - Enter the values in number of seconds from 60 to 999999. The default interval is 600 seconds.
- **Outbound Proxy [optional]**
 - Enter the IP address of the outbound proxy server in regular dot notation, e.g. 10.5.2.100
- **Port**
 - Enter the port number used for SIP on the outbound proxy server. The default port number is 5060.
- **Outbound Backup Proxy 1&2 [optional]**
 - Enter the IP address of the backup outbound proxy server in regular dot notation, e.g. 10.5.2.100
- **Outbound Transport**
 - Possible configuration options: **UDP, TCP, TLS**. For TCP and TLS options, it is necessary to set Outbound Proxy to have the same value as Server Domain.
 - **SIP Scheme.** Possible configuration options: **sip, sips**. Using sips forces all proxies to also use TLS. RTP Encryption. Possible configuration options: **disabled, srtp_encryption**
 - **SRTP Crypto Type.** Possible configuration options: **AES_CM_128_HMAC_SHA1_80 / AES_CM_128_HMAC_SHA1_32**
 - **Use Unencrypted SRTCP.** Check the box to enable unencrypted SRTCP
 - **TLS Private Key,** Possible configuration options: **turbine_server_sha256.key / turbine_server_sha1.key**

Call Settings:

- **Enable Auto Answer.** - If enabled, the station will answer automatically, and if not, the station will ring.
- After entering the desired values, click **SAVE** followed by **REBOOT** to enable the SIP settings.

6.4 Audio Settings

- Select SIP Configuration > Audio

- Speaker Volume**
 - Set speaker volume between 0 and 5
- Volume Override Level**
 - Select the volume override level in the range 0 to 8 from the drop-down menu
- Automatic Gain Control (AGC)**
 - If speech level and environmental noise are very unstable, it may be enabled
- Automatic Volume Control (AVC)**
 - When enabled volume control is adjusted according to the noise level. Disabled by default.
- Active Noise Cancellation (ANC)**
 - When enabled, most of the background noise will be filtered out of the microphone signal. Enabled by default.
- After entering all the desired values, click **SAVE**

6.5 Direct Access Key & Ringlist Settings

To configure DAK keys, Inputs and Ring List functions:

- Select SIP Configuration > Direct Access Keys

Note! The availability of these parameters and the number of keys depend on the Turbine station type selected under Main Settings.

For more information on the configuration of DAK keys, Inputs and Ring List functions, see [wiki.zenitel.com/wiki/Direct_Access_Key_%26_Ringlist_Settings_\(SIP\)](http://wiki.zenitel.com/wiki/Direct_Access_Key_%26_Ringlist_Settings_(SIP))

6.6 Relay/Output Settings

- Select **SIP Configuration > Relays / Outputs**

Description	Configuration
Remote Digit For Relay On:	-
Remote Digit For Relay Off:	-
Remote Digit For Relay Slow Flash :	-
Remote Digit For Relay Fast Flash:	-
Remote Digit For Relay Toggle:	-
Remote Digit For Timed Relay On:	6
Timed Relay Duration:	3 seconds.
Outgoing Ringing:	-
Incoming Ringing:	-
Outgoing Call:	-
Incoming Call:	-
Group Call (Edge mode only):	-
Idle:	Off
Error (Not Registered):	-

Relay Settings:

- Select Relay 1, Relay 2, Relay 3 (Relay Board) or Relay 4 (Relay Board) from the drop-down box.

There are 4 different states: On, Off, Slow Flash, Fast Flash

- Select the remote digit (DTMF signal) under Configuration. - Selecting “-” symbol means that the behaviour does not change when the event occurs. The relay state can change either with a remote digit (DTMF signal) during a call, or if the station state changes.
- Remote Digit For Relay On / Off / Slow Flash / Fast Flash**
 - Select the digit (DTMF signal) that should change the relay to the On/Off/Slow Flash/Fast Flash state
- Remote Digit For Relay Toggle**
 - Select the digit to toggle the relay on/off every time the specified DTMF digit is received
- Remote Digit For Relay Timed Relay On**
 - Select the digit that should change the relay to the on state for a number of seconds set in Timed Relay Duration. This state is normally used for the Door Opening function.
- Outgoing Ringing / Incoming Ringing.** Operate the relay while the station is ringing due to an incoming or outgoing call. The ringing state occurs from the start of the call until the call is accepted.
- Outgoing Call / Incoming Call.** Operate the relay while the station is in conversation. The call state occurs from acceptance of the call until the call ends.

- Group Call (IC-Edge mode only).** Operate the relay when the station receives a Group Call
- Idle**
 - Select the state the relay should change to when nothing else is occurring on the station.
- Error (Not Registered)**
 - Select the state the relay should change to when the station is off-line.

6.7 Time Settings

- Select **SIP Configuration > Time**

Description	Configuration
Enable Network Time Protocol:	<input checked="" type="checkbox"/>
NTP server:	pool.ntp.org
Select Region:	Europe
Select Zone:	London
Enter Manual Date & Time:	2015 01 01 01 00 yyyy-MM-dd-hh-mm

Note: It may take a couple of minutes before the NTP client updates time at startup or after hostname change.

Time Settings:

You can enable NTP (Network Time Protocol), select the time zone and enter the date and time manually.

6.8 Audio Messages

Prerecorded audio messages can be uploaded to a Turbine which can be triggered by various events occurring on the station. The audio message playback can be triggered by 3 main events: DTMF, Call, Relay.

- Select SIP Configuration > Audio Messages

Choose Message	Event	Option
Choose Message	Unused	
Choose Message	Unused	

Under Upload Media:

- Click **Choose File** to browse to the desired audio file
- Click **UPLOAD**

The file will now appear in the list of audio files under **Media**. After the upload, the amount of space left of the maximum of 20 MB is displayed.

6.9 Advanced Configuration Mode

Settings for I/O, Scripts, etc. described in the following sections are only available in the Advanced Configuration Mode.

To enter Advanced Configuration Mode:

- Select **Main > Recovery**

The screenshot shows the 'Recovery' menu expanded. Under 'Preferences', the 'Advanced configuration mode' row has an unchecked checkbox.

Description	Action
Full reboot	REBOOT
Partial reboot	REBOOT
Factory reset	FACTORY RESET
Factory reset with DHCP	FACTORY RESET

Description	Configuration
Advanced configuration mode	<input type="checkbox"/> Type offline password to unlock advanced configuration mode

Under **Preferences**:

- Enter the offline password 1851 in the Advanced configuration mode field

The screenshot shows the 'Advanced configuration mode' row with the checkbox checked. A 'SAVE' button is visible at the bottom right of the preferences table.

- Check the Configuration box
- Click **SAVE**

The screenshot shows a message box with the text 'Advanced configuration mode activated. Reload page to continue.' and a yellow 'RELOAD' button.

- Click **RELOAD**

New menu items such as **I/O, Script** under **SIP Configuration** and a new tab called **Advanced SIP** will now appear:

The screenshot shows the 'Advanced SIP' tab selected. The 'Script' menu item is expanded, showing options like 'Script Events', 'Script Upload', 'Audio Messages', 'Multicast Paging', and 'Certificates'. The 'Digital Outputs - Scripts' configuration page is visible, showing a dropdown for 'Slot 1' and a 'SAVE' button.

For more information on Script settings, see [wiki.zenitel.com/wiki/Virtual_I/O_\(SIP\)](http://wiki.zenitel.com/wiki/Virtual_I/O_(SIP))

6.10 I/O Settings

- Select **SIP Configuration > I/O**

The screenshot shows the 'I/O Settings' configuration page. It includes a table for configuring I/O pins and a 'REBOOT' button.

Description	Configuration
Use Inputs As Key Matrix	Off
Fast Blink Pattern	1111000111000111000111000 1 = on, 0 = off, 100 ms Interval
Slow Blink Pattern	111111111111110000000000000 1 = on, 0 = off, 100 ms interval
I/O Pin 1:	Input 1
I/O Pin 2:	Input 2
I/O Pin 3:	Input 3
I/O Pin 4:	Input 4
I/O Pin 5:	Input 5
I/O Pin 6:	Input 6

- **Use Inputs As Key Matrix.** If there is a need for more than the 6 inputs available, it is possible to combine inputs as in a keyboard matrix, and in this way create more DAKs. The options are:
 - 2 Inputs (input 1-2, DAK 1-3)
 - 3 Inputs (input 1-3, DAK 1-7)
 - 4 Inputs (input 1-4, DAK 1-15)
- **Fast Blink Pattern**
 - Set the fast blink pattern for the LEDs
- **Slow Blink Pattern**
 - Set the slow blink pattern for the LEDs
 - Select either Input or Output options from the drop-down box for I/O Pins 1 to 6

For further information, see [wiki.zenitel.com/wiki/I/O_Settings_\(SIP\)](http://wiki.zenitel.com/wiki/I/O_Settings_(SIP))

7 Common Advanced Network Settings

! Note! The configuration settings described in this section are not mandatory.

Advanced Network settings are available in **ICX-AlphaCom, Edge Controller** and **SIP** mode.

7.1 SNMP Settings

SNMP (Simple Network Management Protocol) is a protocol for centralizing the management of devices in IP networks.

- Select **Advanced Network > SNMP**

SNMP Settings

- **Access**
 - Options are Read or Disable SNMP
- **Enable SNMP v1**
 - This enables reading of the MIB using SNMP version 1.
- **Enable SNMP v2c**
 - This enables reading of the MIB using SNMP version 2c.
- **Community string**
 - Enter a text string used as a password for authentication.
- **Allowed Network**
 - This is used, together with the network mask, to determine the allowed network for reading the MIB on the station.
 - The IP address is entered in regular dot notation, e.g. 10.5.2.100. For example with an allowed network 10.5.2.0 and a network mask of 24, any station with an IP address in the range 10.5.2.0 to 10.5.2.255 can access the MIB.
- **Name**
 - SNMP name string (sent as sysName OID in traps)
- **Location**
 - SNMP Location string
- **Contact**
 - SNMP Contact string

SNMP Trap and Informs Settings:

- **Trap receiver**
 - Enter the IP address of the server receiving SNMP traps. This is disabled if the field is left empty.
- **Inform receiver**
 - Enter the IP address of the server receiving SNMP informs. This is disabled if the field is left empty.

SNMP Custom Configuration File:

- Upload the custom snmpd.conf file that will be used when running SNMP. The uploaded file will be preserved after the station has been upgraded to a newer firmware version.

Enable SNMP Traps

- **IP-Station Started**
 - If enabled, the station will send an SNMP trap when the station application is started.
- **Registration Successful**
 - If enabled, the station will send an SNMP trap when successfully registered in the SIP domain.
- **Registration Failed**
 - If enabled, the station will send an SNMP trap if registration in the SIP domain failed.
- **Call Connected**
 - If enabled, the station will send an SNMP trap when a call is connected.

- **Call Disconnect**
 - If enabled, the station will send an SNMP trap when a call is disconnected.
- **Dak Pressed**
 - If enabled, the station will send an SNMP trap when a DAK is pressed.
- **Dak Released**
 - If enabled, the station will send an SNMP trap when a DAK is released.
- **Relay Activated**
 - If enabled, the station will send an SNMP trap when a relay is activated.
- **Relay Deactivated**
 - If enabled, the station will send an SNMP trap when a relay is deactivated.
- **Button Hanging**
 - If enabled, the station will send an SNMP trap when a button is hanging.
- **Sound Test Failed**
 - If enabled, the station will send an SNMP trap when a sound test has failed.
- **Sound Test Error**
 - If enabled, the station will send an SNMP trap when there is a sound test error.
- **Sound Test Success**
 - If enabled, the station will send an SNMP trap when a sound test is successful.
- **Input Button Pressed**
 - If enabled, the station will send an SNMP trap when an input is activated.
- **Input Button Released**
 - If enabled, the station will send an SNMP trap when an input is deactivated.
- **Software Fault**
 - If enabled, the station will send an SNMP trap when software daemon has stopped working.

7.2 Network Access Control

IEEE 802.1X is an IEEE Standard for Port-based Network Access Control (PNAC). It provides an authentication mechanism to devices wishing to attach to a LAN, either establishing a point-to-point connection or preventing it if authentication fails.

802.1X Network Access Control is configured from the IP station web interface.

- Select **Advanced Network > 802.1X**

Description	Configuration
802.1X Status:	DISABLED ▼
Username:	Username
Password:	*****
Fast Re-Authentication:	<input checked="" type="checkbox"/>
Get new DHCP on success:	<input type="checkbox"/>

Note: Copy paste all of the content in the certificate file(s). The certificates are not visible in the text area after they are uploaded. The certificates must be a X509 certificates and be in text format. Uploading a certificate for TTLS/PEAP is not needed if "Verify server with certificate" is off.

The radio-button list lets the user choose the authentication method to configure.

The different authentication methods are:

- EAP-MSCHAPV2
 - EAP-MD5
 - EAP-TTLS with PAP
 - PEAP with MSCHAPV2
 - EAP-TLS
- **EAP-MSCHAPV2** and **EAP-MD5** will encrypt the password.
 - **EAP-TTLS with PAP** and **PEAP with MSCHAPV2** will encrypt both the **Username** and **Password**. The parameters to configure depend on the authentication method:
 - **802.1X status:** Enable or disable 802.1X.
 - **Username:** The user name that identifies a station.
 - **Password:** The password associated with the user name.
 - **Fake username:** The fake user name sent outside of the encrypted tunnel with **EAP-TTLS with PAP** and **PEAP with MSCHAPV2**. The user name is encrypted.
 - **Verify server with certificate:** [**EAP-TTLS with PAP**, **PEAP with MSCHAPV2** and **EAP-TLS** only] Specifies that the client verifies that server certificates presented to the client have the correct signatures, have not expired, and were issued by a trusted root certification authority (CA). It's enabled by default.
 - **Fast Re-Authentication:** Re-authenticates the clients connected to 802.1x-enabled interfaces.
 - **Get new DHCP on success:** If 802.1X authentication is successful, the station will restart its DHCP client.
 - **Insert CA Certificate:** [**EAP-TTLS with PAP**, **PEAP with MSCHAPV2** and **EAP-TLS** only] Uploads certificate (public key) used by authentication server. This is not required if the **Verify server with certificate** option is disabled.
 - **Insert User Public Certificate:** [**EAP-TLS** only] Uploads certificate (public key) used by authentication client (user).
 - **Insert User Private Key:** [**EAP-TLS** only] Uploads the private key that is paired with the user public certificate.
 - Click **SAVE** to save the current settings
 - Click **REBOOT**

The new 802.1X settings will only come into effect after the reboot.

7.3 Firewall Settings

- Select Advanced Network > Firewall from the menu

Name	Protocol	Port	Enabled
SSH	tcp	22	<input checked="" type="checkbox"/>
HTTP	tcp	80	<input checked="" type="checkbox"/>
HTTPS	tcp	443	<input checked="" type="checkbox"/>
SIP	tcp	5060	<input checked="" type="checkbox"/>
SIPS	tcp	5061	<input checked="" type="checkbox"/>
DIP	tcp	50001	<input checked="" type="checkbox"/>
Demo	tcp	50010	<input type="checkbox"/>
AudioData	udp	5035	<input type="checkbox"/>
TFTP Server	udp	69	<input checked="" type="checkbox"/>
SNMP	udp	161	<input checked="" type="checkbox"/>
SIP	udp	5060	<input checked="" type="checkbox"/>
Edge	udp	5062	<input checked="" type="checkbox"/>
mDNS	udp	5353	<input checked="" type="checkbox"/>
DIP Multicast	udp	50001	<input checked="" type="checkbox"/>
Discovery	udp	50002	<input checked="" type="checkbox"/>
ZAP	tcp	50004	<input checked="" type="checkbox"/>
ZapWeb	tcp	8080	<input type="checkbox"/>
VoIP	udp	61000 :61250	<input checked="" type="checkbox"/>
RTSP	tcp	554	<input checked="" type="checkbox"/>

- SSH:** Enable or disable SSH on station, disabled by default.
- HTTP:** Enable or disable HTTP on station, enabled by default.
- HTTPS:** Enable or disable HTTPS on station, enabled by default.
- SIP (tcp):** Enable or disable SIP over tcp on station, enabled by default.
- SIPS:** Enable or disable SIPS on station, enabled by default.
- DIP:** Enable or disable DIP on station, enabled by default.
- Demo:** Enable or disable Demo on station, disabled by default.
- AudioData:** Enable or disable AudioData on station, disabled by default.
- TFTP Server:** Enable or disable TFTP Server on station, enabled by default.
- SNMP:** Enable or disable SNMP on station, enabled by default.
- SIP (udp):** Enable or disable SIP over udp on station, enabled by default.
- Edge:** Enable or disable IC-EDGE on station, enabled by default.
- mDNS:** Enable or disable mDNS on station, enabled by default.
- DIP Multicast:** Enable or disable DIP Multicast on station, enabled by default.
- Discovery:** Enable or disable Discovery on station, enabled by default.
- Zap:** Enable or disable ZAP on station, enabled by default.
- ZapWeb:** Enable or disable ZapWeb on station, enabled by default.
- VoIP:** Enable or disable VoIP on station, enabled by default.
- RTSP:** Enable or disable RTSP on station, enabled by default.

8 Station Software Upgrade

This sections describes the software upgrade procedure via the web interface of the station.

Other ways of upgrading the software on the IP station can be found on Zenitel Wiki:

- Uploading the software via AlphaWeb on the AlphaCom server, see wiki.zenitel.com/wiki/AlphaWeb#IP_Station_Upgrade
- Automatic Software Upgrade in SIP Mode, see wiki.zenitel.com/wiki/Automatic_Software_Upgrade
- Using the Zenitel Intercom Manager Tool (VS-IMT), see wiki.zenitel.com/wiki/VS-IMT_Upgrade_Stations

Note! Turbine Ex stations have a built-in Flowire component. Refer to A100K11958 FCDC3 Flowire Configuration Manual when upgrading software for Ex stations.

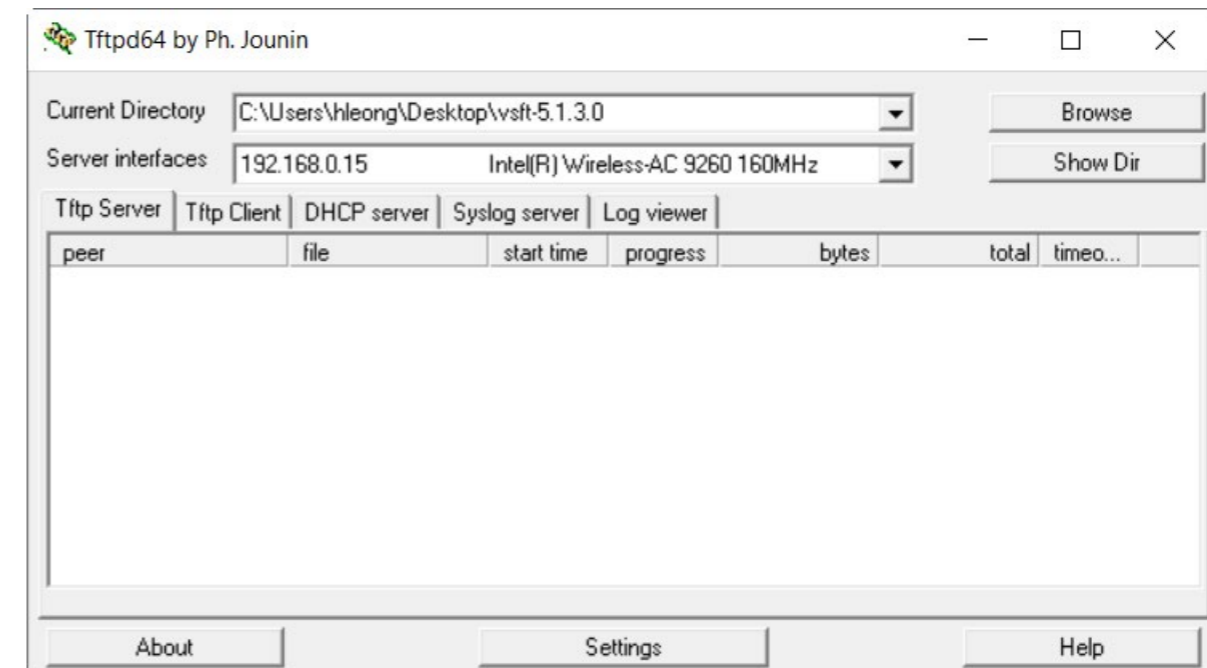
8.1 Prerequisiteites

The upgrade methods require that an TFTP Server is available and that the latest software image files have been downloaded from Zenitel Wiki. During the upgrade process, the IP station will connect to the TFTP Server and download the software. Install the TFTP Server program on your PC.

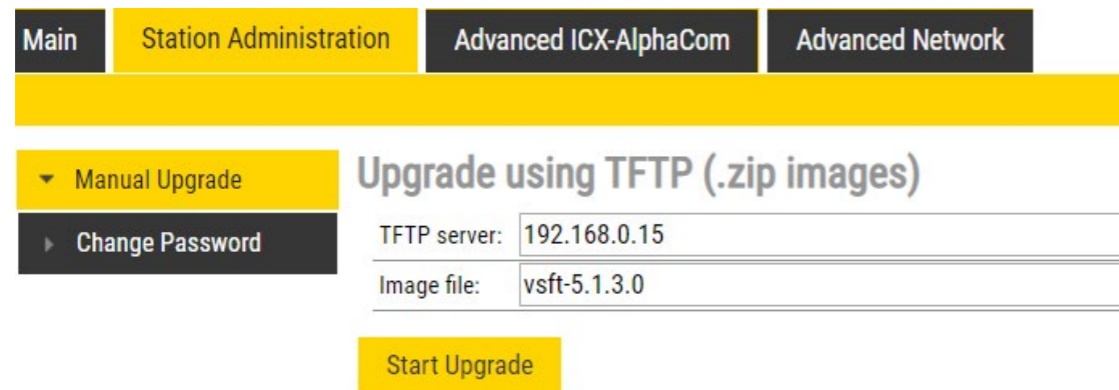
8.2 Upgrade via Station Web Interface

This section pertains to upgrading from version 5.1.x.x to a newer version. For information on upgrading from earlier versions, see wiki.zenitel.com/wiki/Turbine_Software_Upgrade.

- Start the TFTP server program and click Browse to select the folder where the software image files are located



1. Log on to the IP Station web interface
2. Select **Station Administration > Manual Upgrade**



3. Enter the IP address of the **TFTP server** (your PC's IP address)
4. Enter the prefix (e.g. **vsft-5.1.x.x**) to the software image files in the **Image file** field
5. Click **Start Upgrade**

The station will now try to contact the TFTP server. The upgrade procedure takes about 3 minutes. The process can be monitored by clicking the **Log viewer** tab in the TFTP server program.

! During an upgrade of the station, 802.1X will not be running. Thus if 802.1X reauthentication is enabled and is performed during the upgrade, the station may lose contact with the TFTP server (depending on the configuration when 802.1X authentication fails). If the station loses contact with the TFTP server, it will not be upgraded.

9 Station Indication LEDs

9.1 LEDs on Front Plate - Compact Stations



Status LEDs

- Bell icon lights yellow when a call is placed and ringing
- Talk icon lights green when a call is active and in conversation
- Door icon lights red when the door is unlocked or relay is active



Talk Icon: Flashing at 1 second intervals

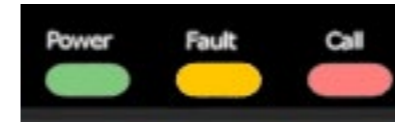
- Station has no connection to the AlphaCom server/exchange.
Possible reasons:
 - No connection to Ethernet
 - Wrong AlphaCom XE IP address configured
 - Invalid IP address
 - No gateway or wrong gateway to the AlphaCom server/exchange



Talk Icon: Flashing at 5 second intervals

- Station connected but NOT registered in the AlphaCom server/exchange.
Reason:
 - Station has not been programmed in AlphaPro

9.1.1 LEDs on Front Plate - ECPIR-3P, INDUSTRIAL & EX STATIONS



Power LED - Green

- Steady light: Power is OK

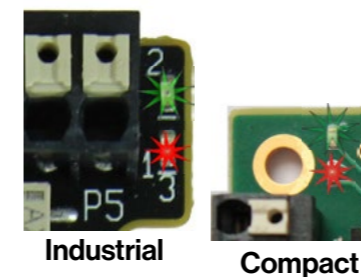
Fault LED - Yellow

- Steady light: Not used
- Flashing: Not registered/no connection to server

Call LED - Red

- Steady light: In a conversation/call

9.2 Status LEDs on PCB



Flashing 2 red + 1 green

- Station has no connection to the AlphaCom server/exchange.

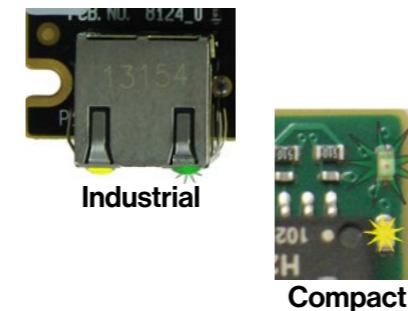
Flashing 1 red + 2 green

- Station connected but NOT registered in the AlphaCom server/exchange.

Flashing 3 green

- Station connected and registered in the AlphaCom server/exchange.

9.3 Ethernet Activity and Speed LEDs



Green LED

- Steady light: Ethernet connection OK
- Flashing: Ethernet data traffic
- No light: No Ethernet connection

Yellow LED

- Steady light: 100 Mbit Ethernet connection
- No light: 10 Mbit Ethernet connection

10 Station Software Upgrade

A Turbine IP Station may have to be reset to its original factory default settings if, for instance, the password to the station web interface is forgotten. The defaults can either be set to Activated DHCP or Static IP.

10.1 Reset to Factory Default Settings with Activated DHCP

To reset:

1. While **pressing any button**, power up the station by connecting to a PoE switch.
2. Hold the button until the station audio starts counting, and release the button on **count 1**.
3. Press and hold the button on **count 5** and release on **count 0**. - If there is no 0 count, the procedure has failed and you have to start again
4. Press the **call key, number keys** or **DAKs** to make the station speak its IP address.

• **Factory default values**

- Station IP address: (determined by DHCP server)
- Username: **admin**
- Password: **alphaadmin**



10.2 Reset to Factory Default Settings with Static IP

To reset:

1. While **pressing any button**, power up the station by connecting to a PoE switch.
2. Hold the button until the station audio starts counting, and release the button on **count 1**.
3. Press and hold the button on **count 3** and release on **count 0**. If there is no 0 count, the procedure has failed and you have to start again
4. Press the **call key, number keys** or **DAKs** to make the station speak its IP address.

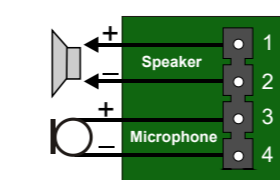
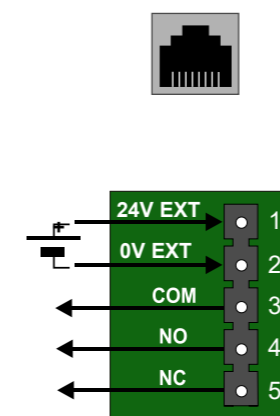
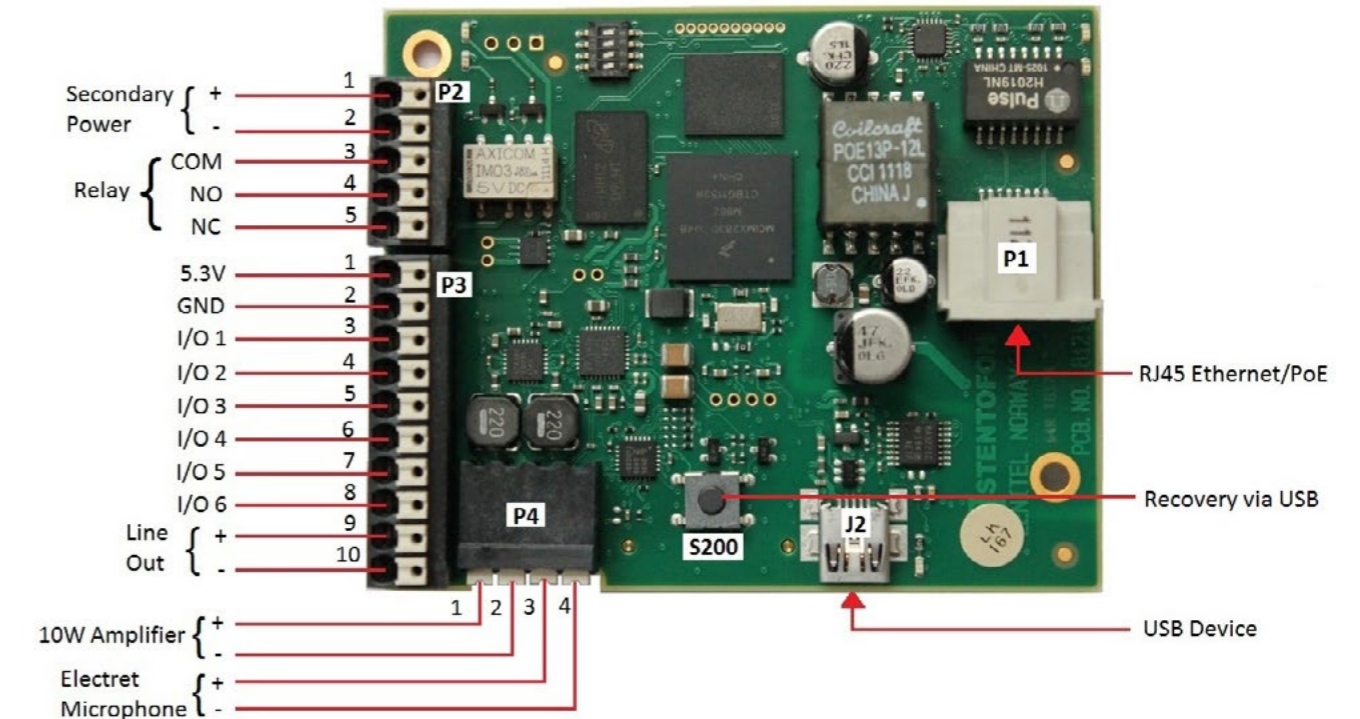
• **Factory default values**

- Station IP address: **169.254.1.100**
- Username: **admin**
- Password: **alphaadmin**



A: Compact Board Connectors

A.1 PCB Front

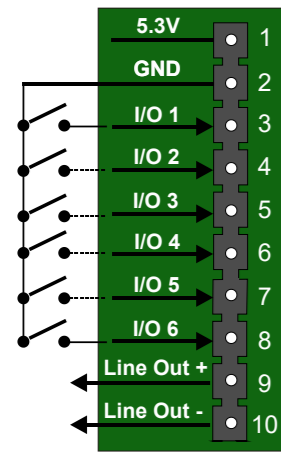


- **P1** - RJ45 PoE port for 10/100 Mbit Ethernet connection. The station can be powered from this port if the line supports Power over Ethernet (PoE).
- **P2** - 5-pin plug-on terminal for external connections. Pin 1/2 24 VDC for external secondary power if PoE is not used. Pin 1 is positive.

Pin 3 - COM relay
Pin 4 - NO relay
Pin 5 - NC relay
- **P4** Loudspeaker & Electret microphone.
Pin 1 - 10W Speaker amplifier +
Pin 2 - 10W Speaker amplifier -
Pin 3 - Electret Microphone +
Pin 4 - Electret Microphone -

! Note! To enable the electret microphone input when using a TKIS-2, the Frontboard must be set to Kit under Station Main Settings.

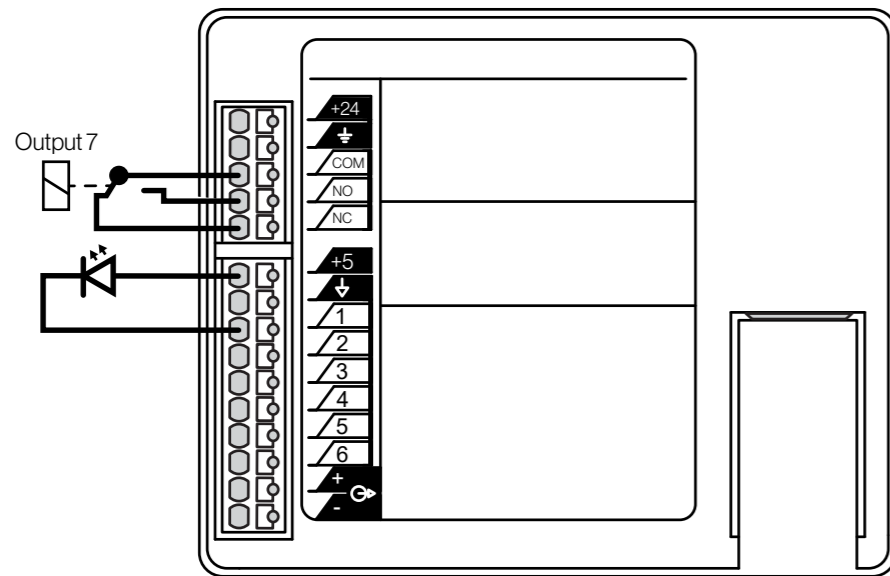
A.2 Input Connectors



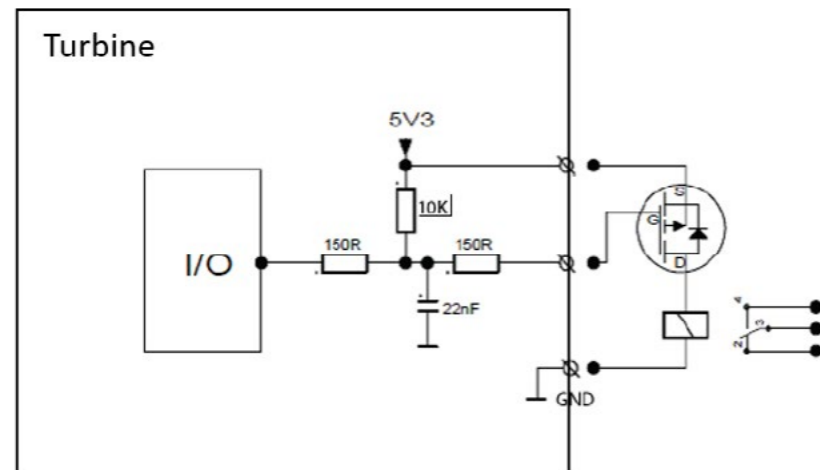
- **P3** - 10-pin plug-on terminal for external connections.

Pin 1	5.3V
Pin 2	GND
Pin 3	Button Input or LED Driver
Pin 4	Button Input or LED Driver
Pin 5	Button Input or LED Driver
Pin 6	Button Input or LED Driver
Pin 7	Button Input or LED Driver
Pin 8	Button Input or LED Driver
Pin 9	600 ohm balanced line out +
Pin 10	600 ohm balanced line out -

A.3 Output Connectors + 1 Relay

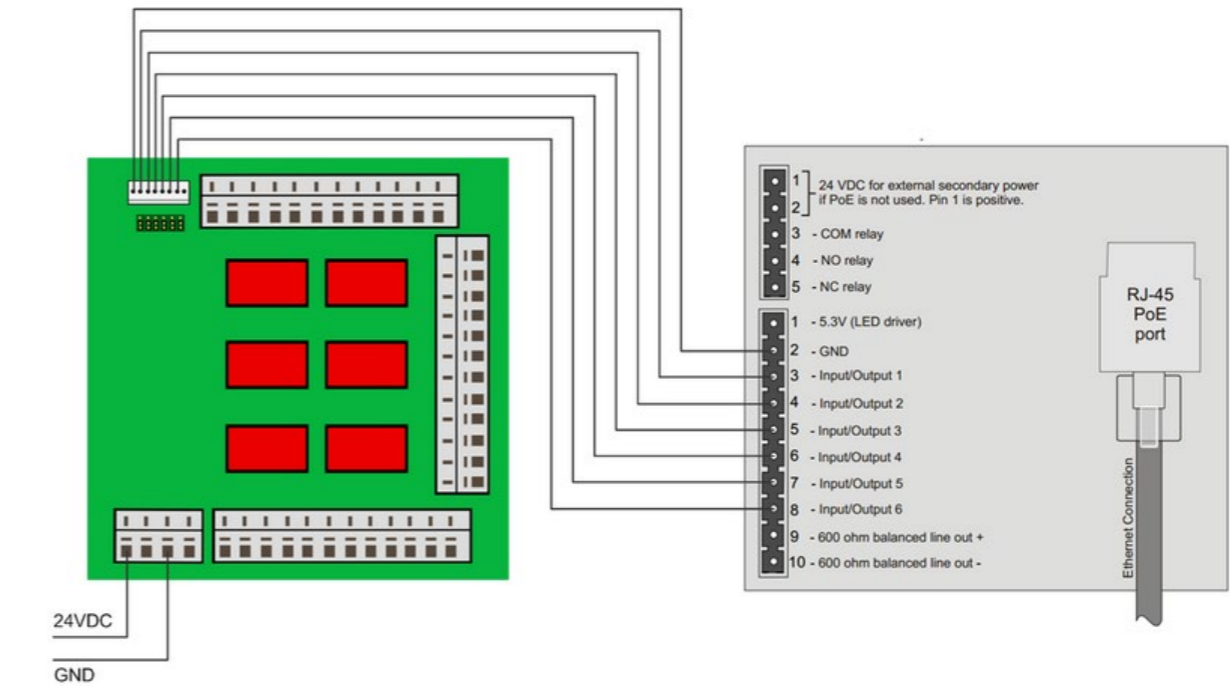


The extra relay for any of the 6 I/O pins is connected as shown:

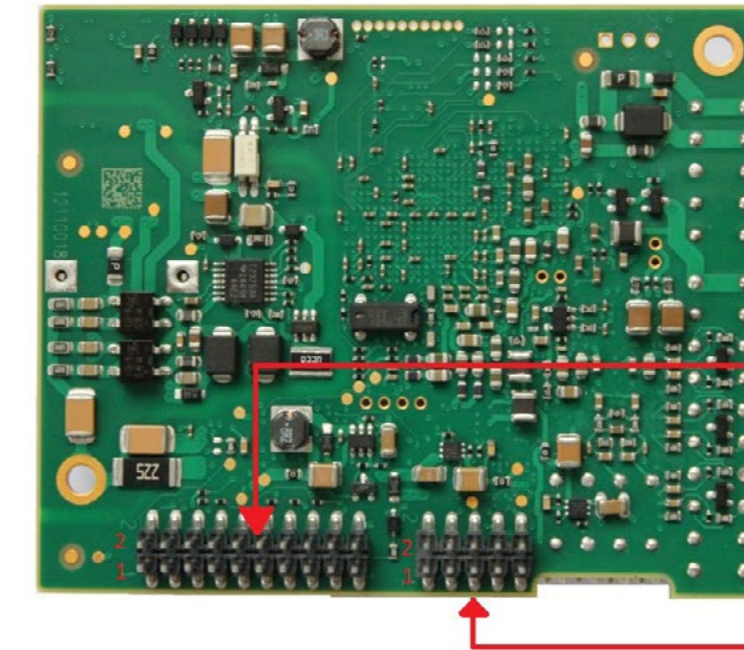


A.4 Output Connectors + MRBD Relay Board

Outputs can be used together with the Multi Relay Board (MRBD) to provide up to 6 additional relay contacts.



A.5 PCB Rear

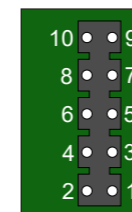


RS232 TX	1	2	USB Host D-
RS232 RX	3	4	USB Host D+
GND	5	6	USB Host PWR EN
AUART CTS	7	8	USB Host Overcurrent
AUART RX	9	10	External Reset
AUART RTS	11	12	I2C Interrupt
AUART TX	13	14	I2C SDA
5.3V	15	16	I2C SCL
ADC	17	18	GND
3.3V	19	20	12V

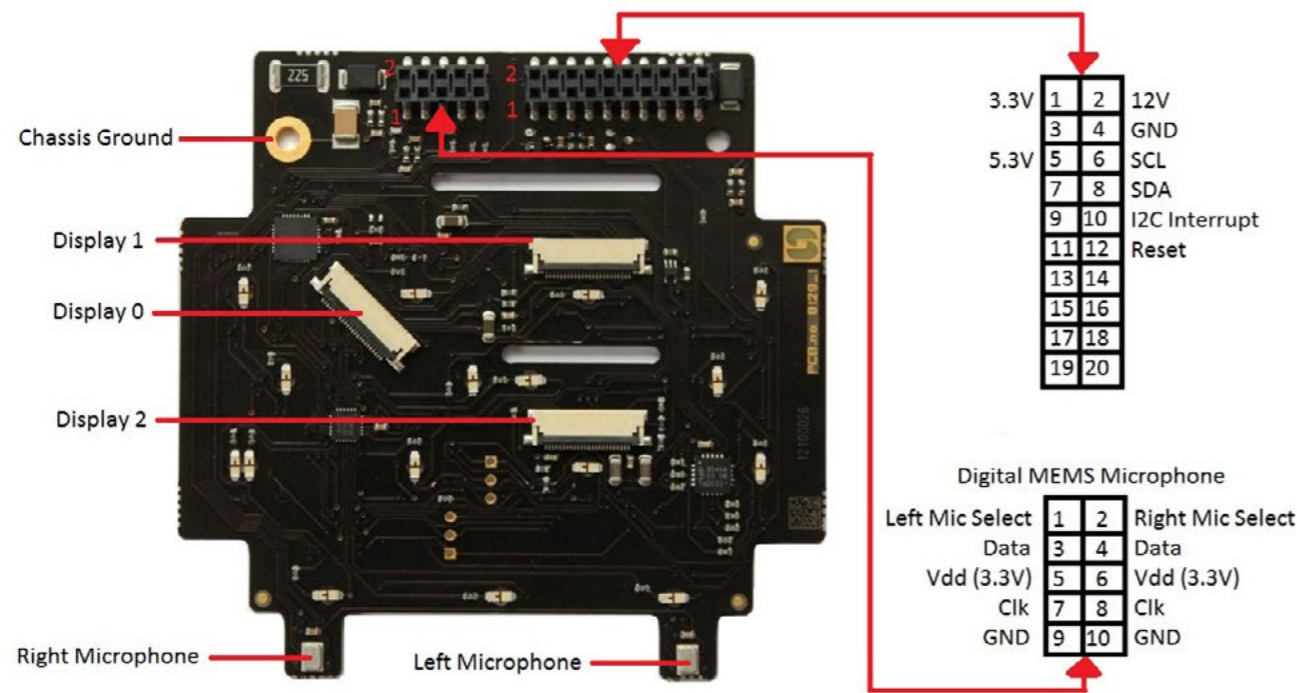
Digital MEMS Microphone			
Left Mic Select	1	2	Right Mic Select
Data	3	4	Data
Vdd (3.3V)	5	6	Vdd (3.3V)
Clk	7	8	Clk
GND	9	10	GND

- **J6** - 10-pin terminal for digital MEMS Microphone

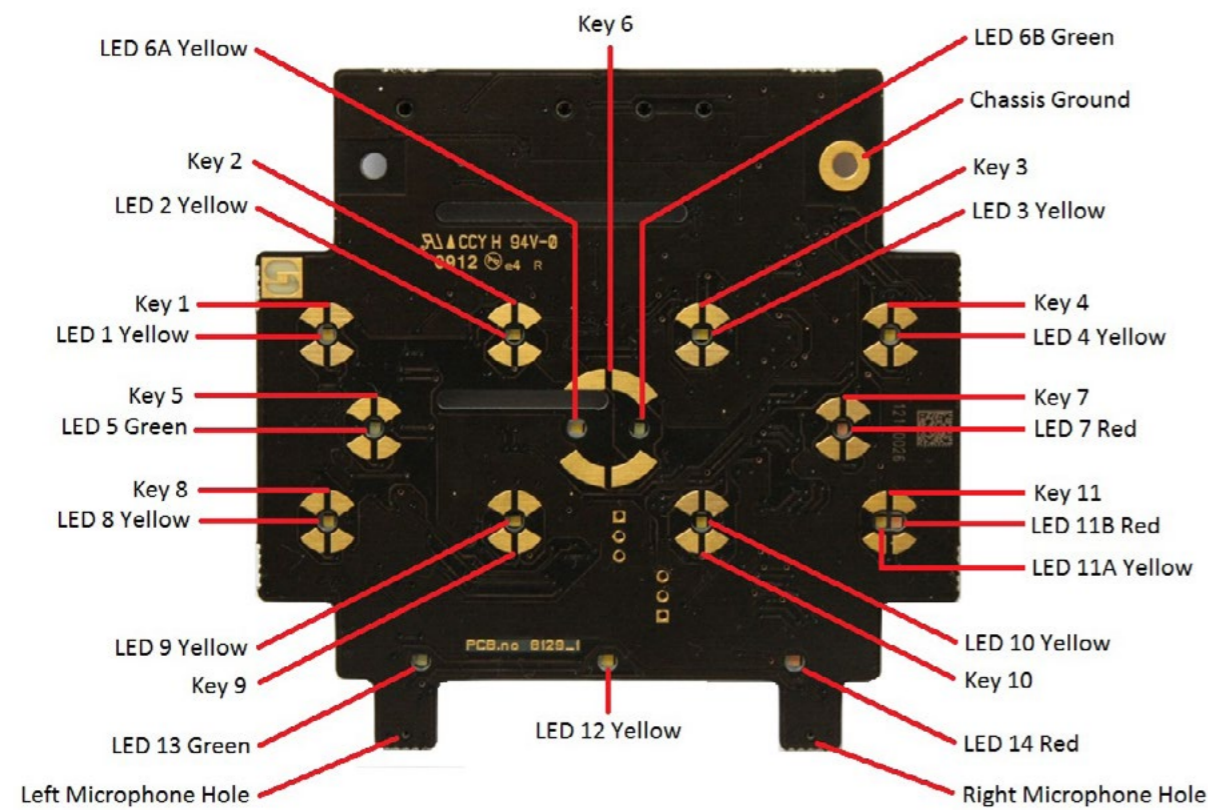
Pin 1	Left mic select (Vdd)
Pin 2	Right mic select (GND)
Pin 3	Data
Pin 4	Data
Pin 5	Vdd 3.3V
Pin 6	Vdd 3.3V
Pin 7	CLK
Pin 8	CLK
Pin 9	GND
Pin 10	GND



A.6 Front Board - Front

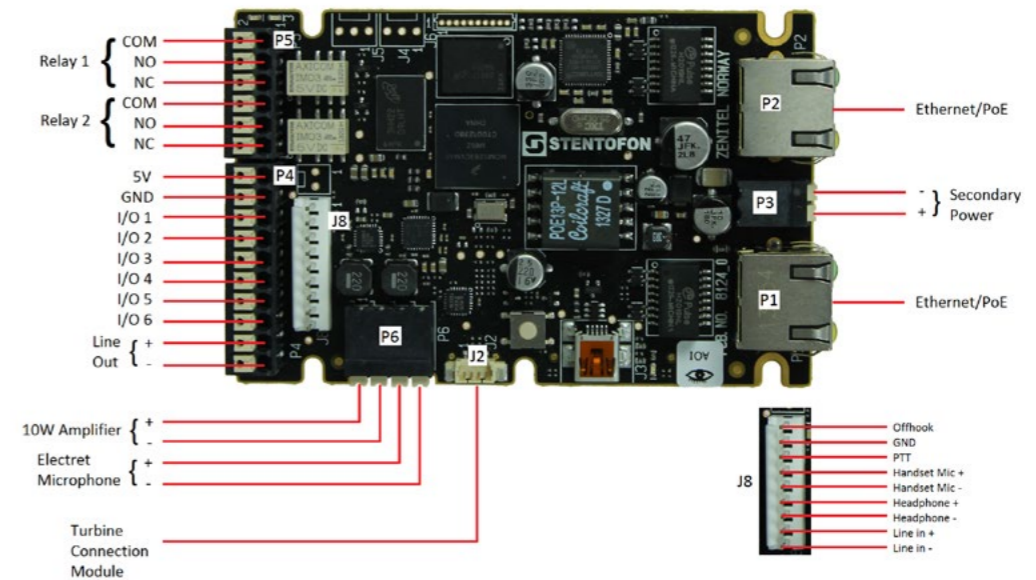


A.7 Front Board - Rear



B: Extended Board Connectors

B.1 PCB - Front



P1/P2 - RJ45 PoE ports for 10/100 Mbit Ethernet connection. The station can be powered from these ports if the line supports. Power over Ethernet (PoE).

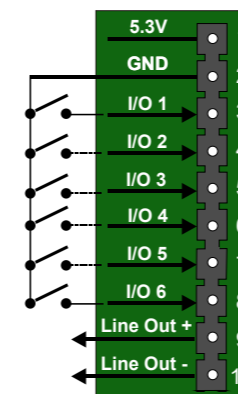
P5 - 6-pin plug-on terminal for external relay connections.

- Pin 1 - COM relay
- Pin 2 - NO relay
- Pin 3 - NC relay
- Pin 4 - COM relay
- Pin 5 - NO relay
- Pin 6 - NC relay

P6 - Loudspeaker & Electret microphone

- Pin 1 - 10W Speaker amplifier +
- Pin 2 - 10W Speaker amplifier -
- Pin 3 - Electret Microphone +
- Pin 4 - Electret Microphone -

B.2 Input Connectors



P4 - 10-pin plug-on terminal for external connections.

- Pin 1 - 5.3V
- Pin 2 - GND
- Pin 3 - Button Input or LED Driver
- Pin 4 - Button Input or LED Driver
- Pin 5 - Button Input or LED Driver
- Pin 6 - Button Input or LED Driver
- Pin 7 - Button Input or LED Driver
- Pin 8 - Button Input or LED Driver
- Pin 9 - 600 ohm balanced line out +
- Pin 10 - 600 ohm balanced line out -



The WEEE Directive does not legislate that Zenitel, as a 'producer', shall collect 'end of life' WEEE. This 'end of life' WEEE should be recycled appropriately by the owner who should use proper treatment and recycling measures. It should not be disposed to landfill.

Many electrical items that we throw away can be repaired or recycled. Recycling items helps to save our natural finite resources and also reduces the environmental and health risks associated with sending electrical goods to landfill.



Under the WEEE Regulations, all new electrical goods should now be marked with the crossed-out wheeled bin symbol shown.

Goods are marked with this symbol to show that they were produced after 13th August 2005, and should be disposed of separately from normal household waste so that they can be recycled.

DOC NO.

A100K11194

customer.service@zenitel.com



Zenitel and its subsidiaries assume no responsibility for any errors that may appear in this publication, or for damages arising from the information therein. Zenitel, Vingtor-Stentofon and Phontech products are developed and marketed by Zenitel. The company's Quality Assurance System is certified to meet the requirements in NS-EN ISO 9001. Zenitel reserves the right to modify designs and alter specifications without notice. **ZENITEL PROPRIETARY.** This document and its supplementing elements contain Zenitel or third-party information which is proprietary and confidential. Any disclosure, copying, distribution or use is prohibited, if not otherwise explicitly agreed in writing with Zenitel. Any authorized reproduction, in part or in whole, must include this legend: Zenitel – All rights reserved.